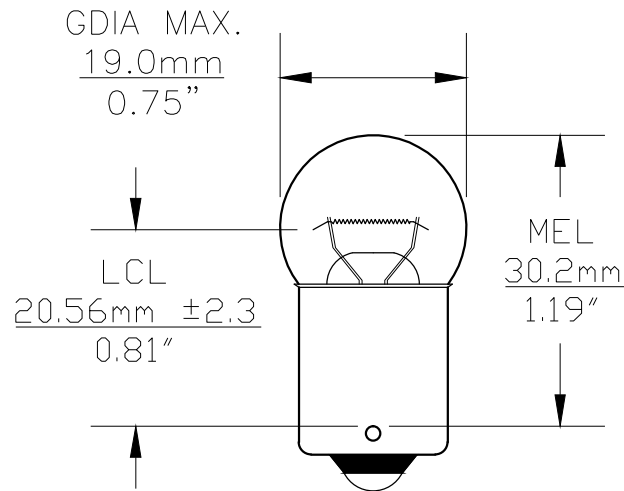
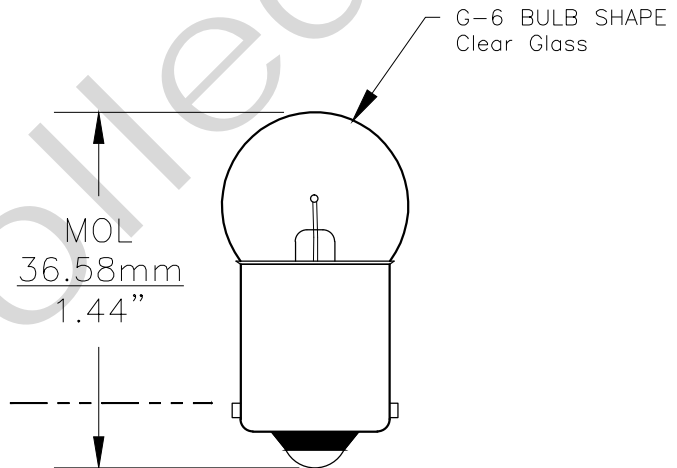




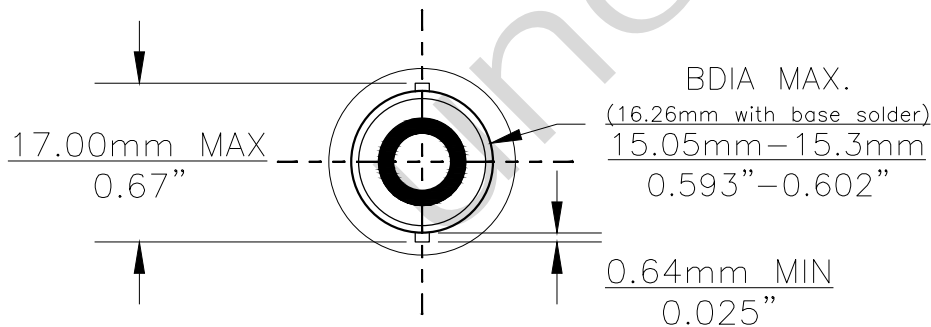
PART NO.	BASE TYPE	DESIGN VOLTS	DESIGN AMPS	MSCD	FILAMENT TYPE	AVERAGE LIFE HOURS	REVISIONS			
							REV #	DESCRIPTION	DATE	APPROVED
67	S.C. BAYONET (BA15s)	13.5V	0.59 ±8%	4 ±15%	C-6	5000	1	ADDRESS CHANGE	02/14/2006	D.C.
							2	REVISED DIMENSIONS	01/22/2007	D.C.



0° VIEW



90° VIEW



BASE BOTTOM VIEW



Note: Made according to SAE specifications

UNLESS OTHERWISE SPECIFIED: DIMENSIONS ARE IN INCHES TOLERANCES		CEC INDUSTRIES LTD			
DECIMALS .XX ± .05		599 BOND STREET		LINCOLNSHIRE, IL 60069	
ANGULAR .XXX ± .010		TITLE LIGHT BULB NO. 67			
FRACTIONAL ±1/64		DATE 04/09/2001	SIZE A	FSCM NO. 67	REV 2
DRAWN ELIZABETH SONANES	CHECKED	DESIGN	SCALE	PLOT SCALE	SHEET 1 OF 1
MATERIAL		FILE 67.pdf	DRAWING NOT TO SCALE		