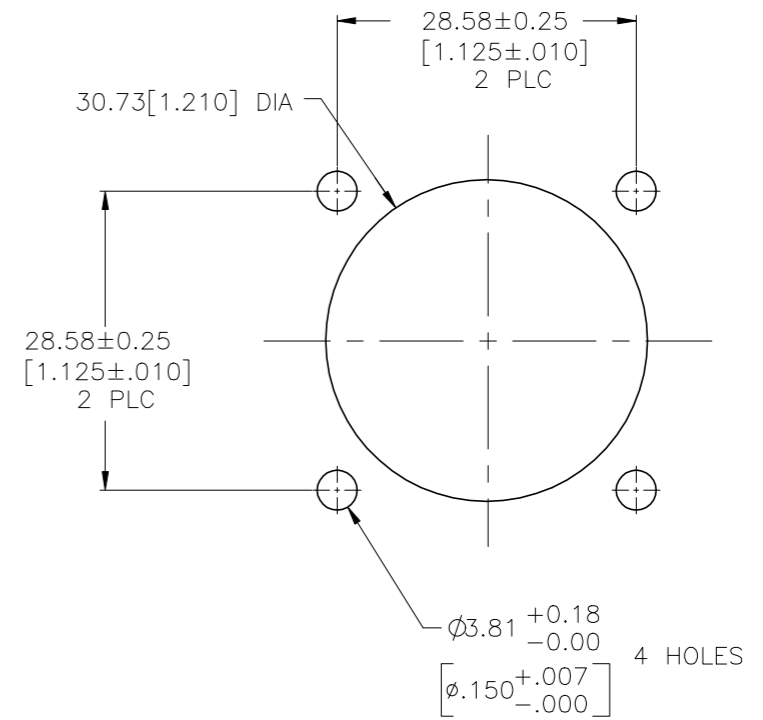
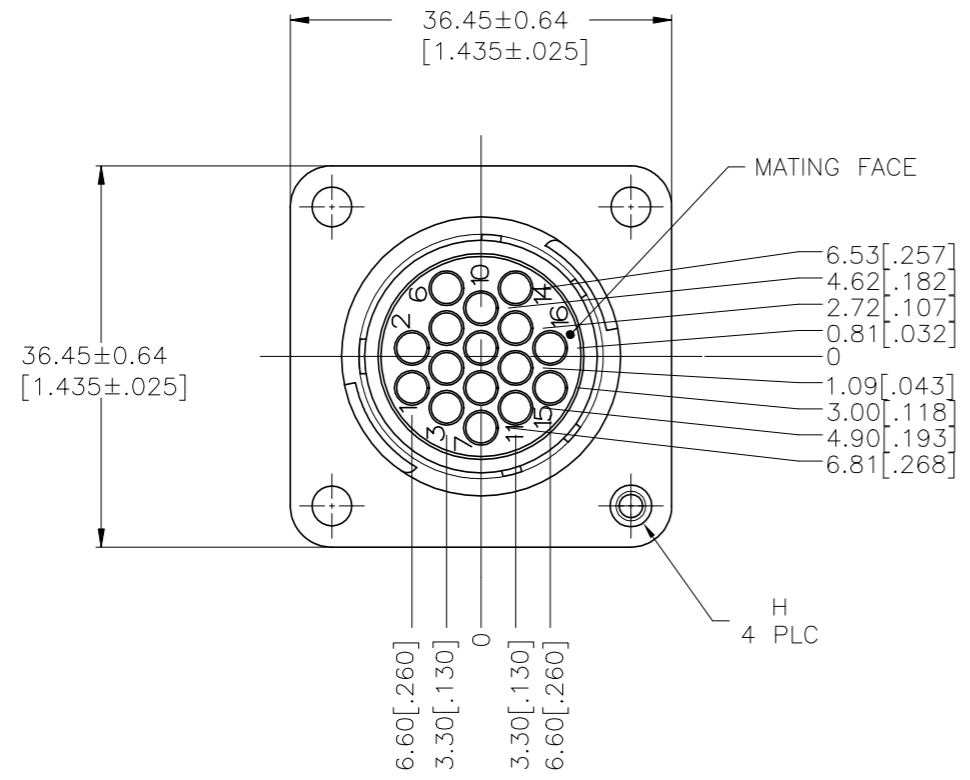
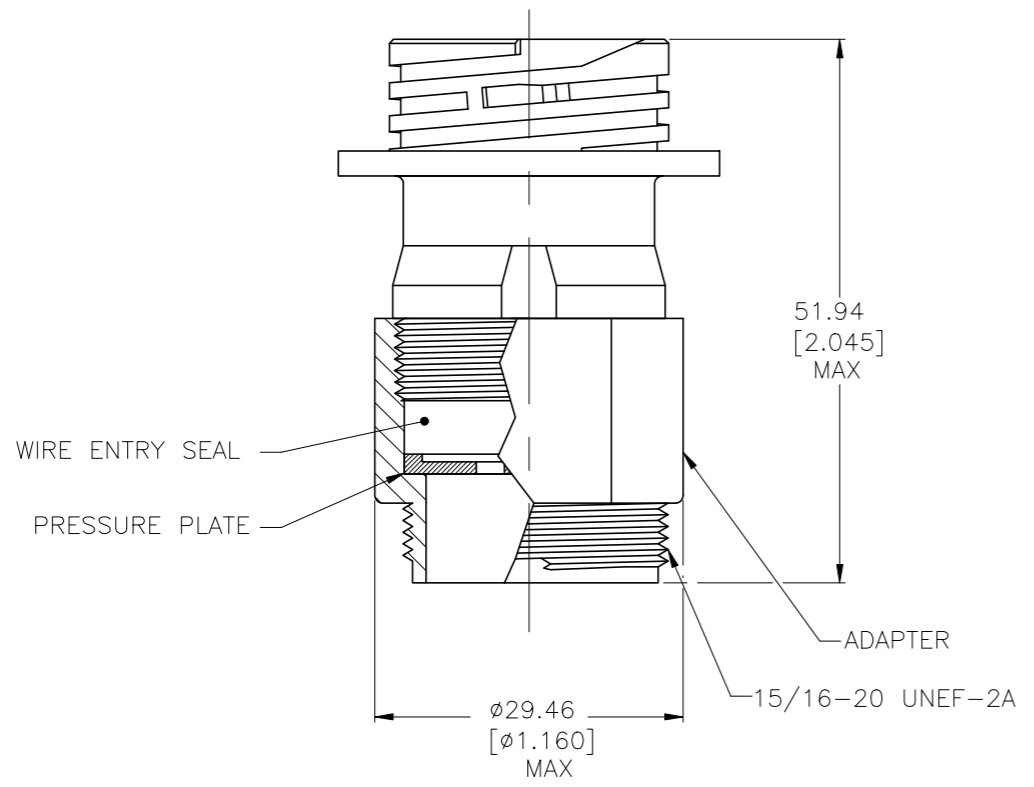


THIS DRAWING IS UNPUBLISHED. RELEASED FOR PUBLICATION
 © COPYRIGHT - By - ALL RIGHTS RESERVED.

REVISIONS					
P	LTR	DESCRIPTION	DATE	DWN	APVD
D		REVISED PER ECO-16-006378	03NOV2016	RS	MZ
E		REVISED PER ECR-16-016563	07DEC2016	RS	MZ
F		REVISED PER ECO-19-011232	06AUG2019	RS	MZ



RECOMMENDED PANEL CUTOUT



1 HOUSING, ADAPTER AND PRESSURE PLATE: NYLON, BLACK.
 WIRE ENTRY SEAL: ELASTOMER, SEE TABLE.
 PERIPHERAL SEAL: ELASTOMER, BLACK.

2 CONNECTOR WILL ACCEPT (16) MULTIMATE PIN CONTACTS.

OBSOLETE	W/ 4-40 THREADED INSERT	RED-IRON OXIDE	.065 - .100	STANDARD	796275-3
	3.18±0.07 [.150±.003]	YELLOW	.040 - .080	SMALL	796275-2
	3.18±0.07 [.150±.003]	RED-IRON OXIDE	.065 - .100	STANDARD	796275-1
	H	SEAL COLOR	WIRE INSULATION DIAMETER RANGE	INSULATION	PART NUMBER

THIS DRAWING IS A CONTROLLED DOCUMENT.

DIMENSIONS: mm [INCHES]	TOLERANCES UNLESS OTHERWISE SPECIFIED: 0 PLC ± - 1 PLC ± - 2 PLC ± - 3 PLC ± - 4 PLC ± - ANGLES ± -	DWN L. McEACHIN 27-JAN-2000 CHK K. DOWHOWER 27-JAN-2000 APVD K. DOWHOWER 27-JAN-2000	NAME ASSEMBLY, RECEPTACLE, STANDARD SEX, 17-16, STANDARD OR SMALL INSULATION DIA., SEALED
MATERIAL 1	FINISH -	WEIGHT -	SIZE A2
CUSTOMER DRAWING		SCALE 2:1	SHEET 1 of 1

STE TE Connectivity
 RESTRICTED TO
 REV F