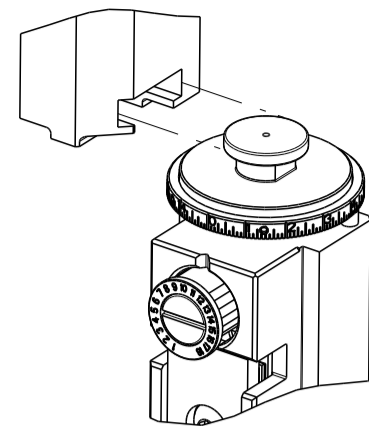


PART NUMBER	REVISION	DESCRIPTION	FEED TYPE
2151765-2	F	FINE CRIMP HEIGHT ADJUST	PNEUMATIC
7-2151765-2	F	PNEUMATIC AND CRIMP TOOLING KIT	PNEUMATIC
7-2151765-7	C	CRIMP TOOLING KIT	-

ATLANTIC VERSION TERMINATOR INTERFACE ADAPTER



APPLICATOR DATA		
CRIMP	SIZE	TYPE
WIRE	3.56 mm [.140]	F
INSUL	4.45 mm [.175]	OV
APPLICATOR INSTRUCTIONS 408-35042		

TERMINAL DATA: YAZAKI TERMINAL YAZAKI CRIMP SPECIFICATION			
TERMINAL NAME: YAZAKI 6.3MM SYSTEM CONNECTOR TERM.			
WIRE STRIP LENGTH		INSULATION DIAMETER RANGE	
5.50-6.00mm [.217-.236 IN]		Ø2.85-3.80mm [.112-.150 IN]	
TERMINAL APPLICATION SPECIFICATION	(A)72-WT10-1434-1 REV WA1749		
TERMINALS APPLIED			
TE TERMINAL	YAZAKI TERMINAL	TE TERMINAL	YAZAKI TERMINAL
(A) 1949186-1	(A) 7116-4122-02		

TERMINAL DATA: YAZAKI TERMINAL YAZAKI CRIMP SPECIFICATION			
TERMINAL NAME: YAZAKI 6.3MM SYSTEM CONNECTOR TERM.			
WIRE STRIP LENGTH		INSULATION DIAMETER RANGE	
5.50-6.00mm [.217-.236 IN]		Ø2.85-3.80mm [.112-.150 IN]	
TERMINAL APPLICATION SPECIFICATION	72-WT08-655-1 REV WA2182		
TERMINALS APPLIED			
TE TERMINAL	YAZAKI TERMINAL	TE TERMINAL	YAZAKI TERMINAL
1949027-1	7114-4122-02		

TERMINAL DATA: YAZAKI TERMINAL TE POLAND SPECIFICATION			
TERMINAL NAME: YAZAKI 6.3MM SYSTEM CONNECTOR TERM.			
WIRE STRIP LENGTH		INSULATION DIAMETER RANGE	
5.50-6.00mm [.217-.236 IN]		Ø2.85-3.80mm [.112-.150 IN]	
TERMINAL APPLICATION SPECIFICATION	TE POLAND		
TERMINALS APPLIED			
TE TERMINAL	YAZAKI TERMINAL	TE TERMINAL	YAZAKI TERMINAL
1949186-1	7116-4122-02		
1949027-1	7114-4122-02		

WIRE SIZE	CRIMP HEIGHT mm [INCH]	CRIMP HEIGHT REFERENCE SETTING
4.00mm2	2.15+/-0.05 [.085+/-0.002]	7.1
3.00mm2	2.05+/-0.05 [.081+/-0.002]	8.0

WIRE SIZE	CRIMP HEIGHT mm [INCH]	CRIMP HEIGHT REFERENCE SETTING
2.5mm2+1.5mm2	2.15+/-0.05 [.085+/-0.002]	6.5
2.5mm2+1.5mm2	2.10+/-0.05 [.083+/-0.002]	8.2

- RECOMMENDED SPARE PARTS
- REFER TO SUPPLIED INSTRUCTION SHEET FOR CLEANING, LUBRICATION AND STORAGE OF APPLICATOR.
- APPLY PART NUMBER 1-23419-5 LOCTITE TO THREADS OF ITEM 50. APPLY PART NUMBER 2-23419-6 LOCTITE TO THREADS OF ITEM 242.
- CRIMP HEIGHT REFERENCE SETTING WAS THE SETTING USED WHEN THE APPLICATOR WAS QUALIFIED AT THE FACTORY. ADJUSTMENT MAY BE NECESSARY WHEN RUNNING APPLICATOR IN THE FIELD.
- 5. UNLESS SPECIFIED OTHERWISE TORQUE VALUES SHALL BE USED PER DOCUMENT, 101-35000.
- TERMINAL PITCH NOT COMPATIBLE WITH MECHANICAL FEED.
- THE CRIMP HEIGHT VALUE 2.15+/-0.05 IS FOR TERMINAL 7116-4122-02 ONLY.
- THE CRIMP HEIGHT VALUE 2.10+/-0.05 IS FOR TERMINAL 7114-4122-02 ONLY.
- FEED ADJUSTMENT IS REQUIRED WHEN SWITCHING TERMINALS.
- TERMINAL LUBRICANT IS RECOMMENDED.
- THIS CRIMP PARAMETER IS PROVIDED TO MEET A CUSTOM AND UNIQUE CUSTOMER REQUIREMENT. IT HAS BEEN EVALUATED AND IS CONDITIONALLY SPECIFIED BY TE CONNECTIVITY. THIS CUSTOMIZED CRIMP PARAMETER IS NOT LISTED AS AN APPROVED APPLICATION WITHIN THE TERMINAL MANUFACTURER'S SPECIFICATION. **TE CONNECTIVITY EXPRESSLY DISCLAIMS ANY AND ALL WARRANTIES THAT THE PRODUCT WILL PERFORM SIMILARLY TO VALIDATED AND APPROVED APPLICATIONS, AS STATED WITHIN THE MANUFACTURER'S APPLICATION SPECIFICATIONS, INCLUDING BUT NOT LIMITED TO IMPLIED WARRANTIES OF MERCHANTABILITY OR FITNESS FOR PARTICULAR PURPOSE.** AS SUCH, IT IS HIGHLY RECOMMENDED THAT THE CUSTOMER PERFORM FURTHER DETAILED EVALUATION TO ASSESS PRODUCT PERFORMANCE IN THE SPECIFIC APPLICATION AND OBTAIN APPROVAL FROM TERMINAL MANUFACTURER FOR THIS CUSTOM REQUIREMENT.

***WARNING**
ON INSTALLATION, SET WIRE DISC TO CRIMP HEIGHT REFERENCE SETTING FOR LARGEST WIRE SIZE. CRIMP HEIGHT REFERENCE SETTINGS GREATER THAN THE VALUE SHOWN MAY CAUSE DAMAGE TO THE CRIMP TOOLING. REFER TO THE INSTRUCTION SHEET FOR PROPER SETUP AND ADJUSTMENTS.

ATLANTIC VERSION
Shown on sheets 1 of 4 & 2 of 4
(Pacific version shown on sheets 3 of 4 & 4 of 4)

LOC	DIST	REVISIONS					
A	66	P	LTN	DESCRIPTION	DATE	OWN	APVD
		D		ECR-17-012172	21AUG2017	TB	TE
		D1		ECR-17-014464	29SEP2017	MZ	KZ
		E		ECR-18-016031	10OCT2018	FL	TE
		F		ECR-20-013395	21SEP2020	TB	RK

-	1	1	2119641-1	FEED CAM, AIR FEED	248	
-	1	1	2119082-7	CAM, SNAIL, INSULATION ADJUSTMENT	244	
-	1	1	2079764-1	WASHER, WAVE SPRING, CREST-TO-CREST	243	
	-	1	2119083-1	RETAINER, INSULATION DIAL	242	
-	1	1	7-18023-7	SCR, SKT HD CAP M3 X 4.0	241	
-	1	1	2844940-1	AIR FEED MODULE	238	
-	2	2	1-2079383-0	SCR, BHSC, RoHS (M3 X 6)	230	
-	1	1	2-455888-9	SPACER, CRIMPER	188	
-	1	1	4-1976053-0	LOCATER BLOCK, TERMINAL	179	
-	1	1	993111-1	PIN, SLOTTED SPRING 3.0 X 20.0	177	
-	1	1	8-22280-7	SPRING, COMPRESSION	176	
-	1	1	1752353-2	GUIDE PIN, HOLDDOWN	175	
-	1	1	1901680-2	GUIDE PIN, HOLDDOWN	174	
-	REF	REF	994970-2	COUNTER, MAGNETIC	164	
-	1	1	455888-7	SPACER, CRIMPER	120	
-	1	1	1-18028-2	WASHER, FLAT, REG M4	119	
	-	1	2119955-1	ASSY, LUBRICATOR, SIDE FEED	113	
-	1	1	2844908-1	SCREW, LOCKING	99	
-	1	1	2844907-1	POST, LOCKING	98	
-	1	1	455888-6	SPACER, CRIMPER	82	
-	2	2	2079383-4	SCR, BHSC, RoHS (M4 X 8)	79	
-	1	1	1803096-1	EXTENSION PLATE	78	
-	1	1	1803607-3	DOCUMENTATION PACKAGE	71	
-	1	1	2119740-1	TAG, IDENTIFICATION	67	
-	2	2	2168078-1	SCREW, DRIVE, RH, RoHS, 2 x .188	66	
-	1	1	2168083-2	SCR, SKT HD CAP, RoHS, M4 X 8.0	60	
-	1	1	5-18022-5	SCR, HEX HD CAP, M4 X 6.0	59	
-	1	1	1338683-8	FEED PAWL	56	
-	4	4	2168083-3	SCR, SKT HD CAP, RoHS, M4 X 12.0	54	
-	1	1	1-5018030-0	NUT, HEX, REG, RoHS, M3.5	52	
-	1	1	1-1901681-0	HOLDDOWN, TERMINAL	51	
	-	1	2-1752354-5	STANDOFF, HOLD-DOWN	50	
-	1	1	18023-9	SCR, SKT HD CAP M4 X 6.0	49	
-	1	1	1803583-9	APPLICATOR BASIC ASSEMBLY, SF	46	
-	1	1	1803515-2	RAM ASSEMBLY, SF ATLANTIC	44	
-	1	1	1803602-2	SCR, BHSC, RoHS (M8 X 40)	41	
-	1	1	1752356-6	SUPPORT, TERMINAL	34	
-	2	2	2079383-5	SCR, BHSC, RoHS (M4 X 20)	33	
-	2	2	2-2844962-3	SPACER, CYLINDRICAL, STRIP GUIDE	30	
-	1	1	2844992-2	ASSEMBLY, STRIP GUIDE	29	
-	1	1	1-455888-0	SPACER, CRIMPER	28	
-	1	1	1320928-4	STRIP GUIDE	24	
-	1	1	2168083-2	SCR, SKT HD CAP, RoHS, M4 X 8.0	21	
-	1	1	1-18028-2	WASHER, FLAT, REG M4	20	
-	1	1	2119533-1	STRIPPER, SIDE FEED	19	
	-	1	2119806-1	INSERT, SHEAR	13	
-	1	1	3-22280-3	SPRING, COMPRESSION	12	
-	1	1	1-356885-4	STOP, SHEAR	11	
	-	1	2119805-1	SHEAR HOLDER, FRONT	10	
	-	1	318707-1	FLOATING SHEAR, FRONT	9	
	1	2	1	1333210-5	ANVIL, COMBINATION	8
-	-	-	-	-	7	
-	-	-	-	-	6	
-	1	1	2119757-8	DEPRESSOR, SHEAR	5	
-	1	1	1-238011-2	BLOCK, CRIMPER SPACER	4	
	1	2	1	5-1633963-9	CRIMPER, INSULATION OVERLAP PREMIUM	3
-	-	-	-	-	2	
	1	2	1	456411-7	CRIMPER, WIRE PREMIUM	1

DIMENSIONS:		TOLERANCES UNLESS OTHERWISE SPECIFIED:		MATERIAL:	
mm	0 PLC ±	1 PLC ±	2 PLC ±	3 PLC ±	4 PLC ±
	ANGLES	FINISH			

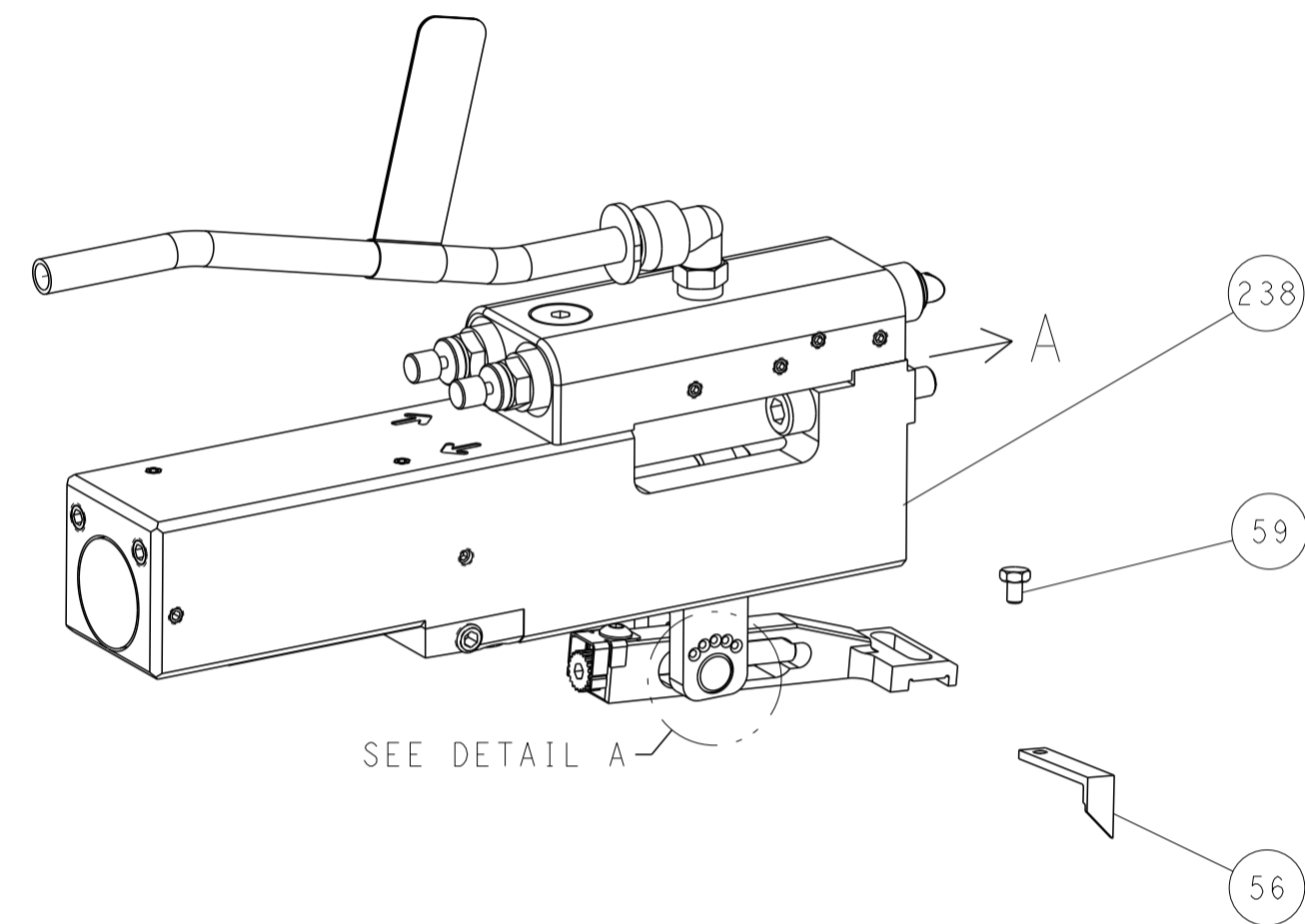
ITEM NO	PART NO	DESCRIPTION
-77-72-2		

OWN	L. STAKEM	02OCT2012
CHK	G. BAILEY	02OCT2012
APVD	T. ELBIN	02OCT2012
NAME	Ocean Side Feed Applicator	
SIZE	CAGE CODE	DRAWING NO
A1	00779	2151765
Customer Accessible Production Drawing		
SCALE	1:2	SHEET 1 OF 4
REV	F	

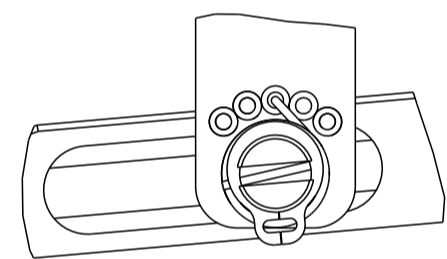
LOC		DIST		REVISIONS			
A	66	P	LTM	DESCRIPTION	DATE	OWN	APVD
		-		SEE SHEET 1			

FEED TYPE

PNEUMATIC

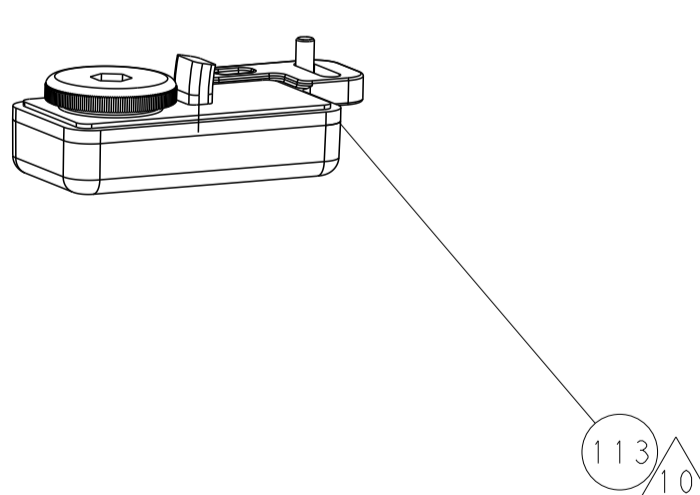
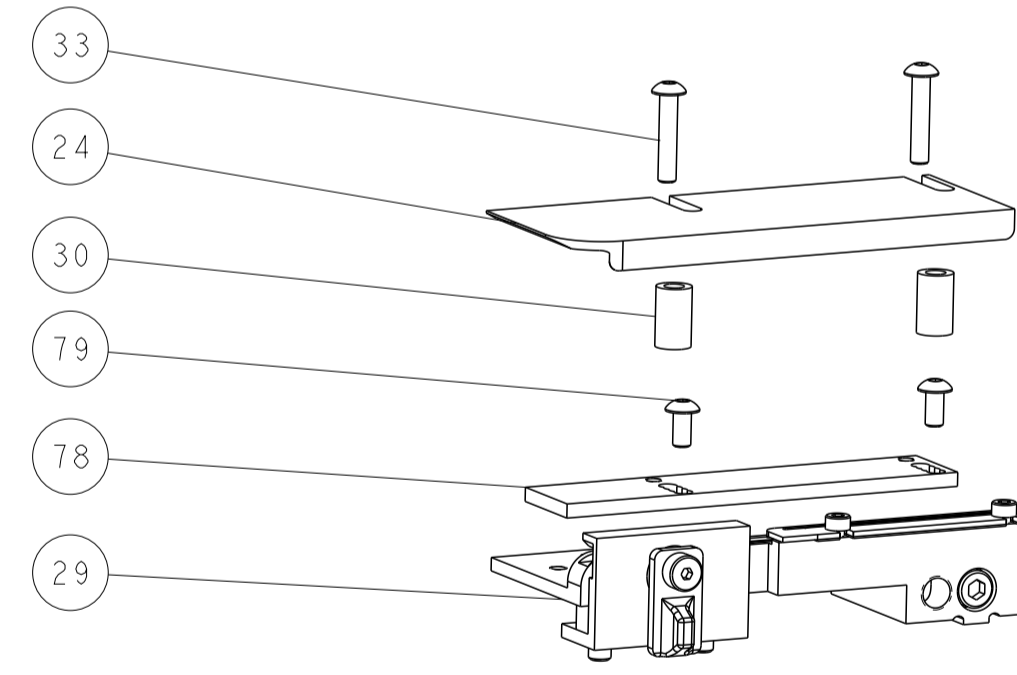
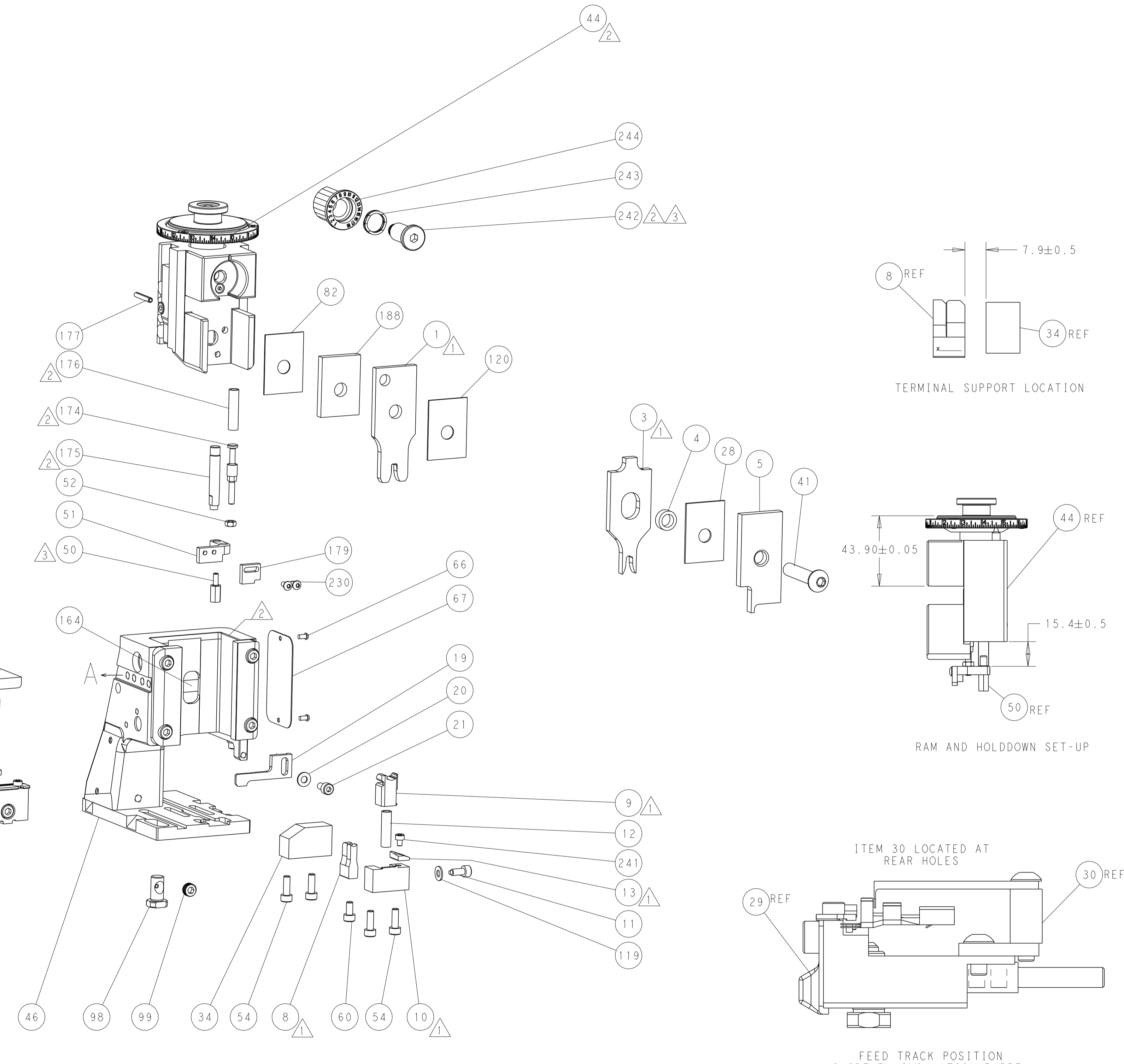
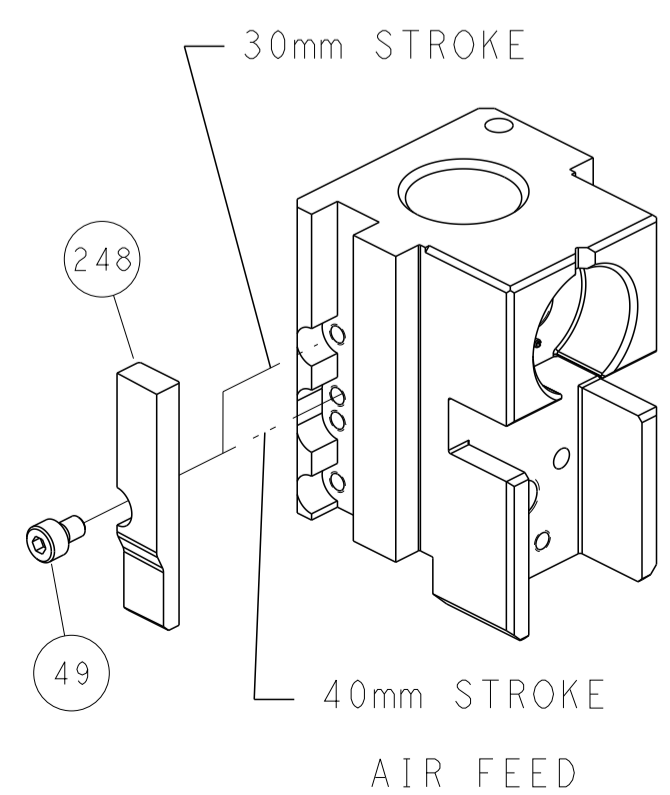


FEED SPRING SETTING POSITION
(SHOWN FROM REAR SIDE)



DETAIL A

CAM POSITION

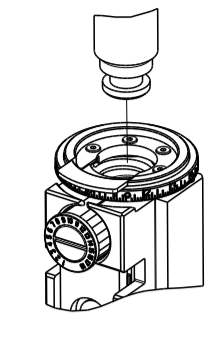


ATLANTIC VERSION
 Shown on sheets 1 of 4 & 2 of 4
 (Pacific version shown on sheets 3 of 4 & 4 of 4)

DIMENSIONS:		TOLERANCES UNLESS OTHERWISE SPECIFIED:		DWG: R. STAKEM 02OCT2012		TE Connectivity	
mm	0 PLC ±	1 PLC ±	2 PLC ±	3 PLC ±	4 PLC ±	Harrisburg, PA 17105-3608	
	ANGLES	FINISH		CHK: G. BAILEY 02OCT2012	NAME: Ocean Side Feed Applicator	RESTRICTED TO	
MATERIAL:				APVD: T. ELBIN 02OCT2012	SIZE: A1	CAGE CODE: 00779	DRAWING NO: ©=2151765
				WEIGHT:	SCALE: 1:2	SHEET: 2 OF 4	REV: F

PART NUMBER	REVISION	DESCRIPTION	FEED TYPE
2-2151765-2	F	FINE CRIMP HEIGHT ADJUST	PNEUMATIC
7-2151765-7	C	CRIMP TOOLING KIT	-

PACIFIC VERSION TERMINATOR
 INTERFACE ADAPTER



APPLICATOR DATA

CRIMP	SIZE	TYPE
WIRE	3.56 mm [.140]	F
INSUL	4.45 mm [.175]	OV

APPLICATOR INSTRUCTIONS
 408-35042

TERMINAL DATA: YAZAKI TERMINAL YAZAKI CRIMP SPECIFICATION

TERMINAL NAME: YAZAKI 6.3MM SYSTEM CONNECTOR TERM.

WIRE STRIP LENGTH	INSULATION DIAMETER RANGE
5.50-6.00mm [.217-.236 IN]	Ø 2.85-3.80mm [.112-.150 IN]

TERMINAL APPLICATION (A)72-WT10-1434-1 REV WA1749

TERMINALS APPLIED

TE TERMINAL	YAZAKI TERMINAL	TE TERMINAL	YAZAKI TERMINAL
(A) 1949186-1	(A) 7116-4122-02		

TERMINAL DATA: YAZAKI TERMINAL YAZAKI CRIMP SPECIFICATION

TERMINAL NAME: YAZAKI 6.3MM SYSTEM CONNECTOR TERM.

WIRE STRIP LENGTH	INSULATION DIAMETER RANGE
5.50-6.00mm [.217-.236 IN]	Ø 2.85-3.80mm [.112-.150 IN]

TERMINAL APPLICATION 72-WT08-655-1 Rev WA2182

TERMINALS APPLIED

TE TERMINAL	YAZAKI TERMINAL	TE TERMINAL	YAZAKI TERMINAL
1949027-1	7114-4122-02		

TERMINAL DATA: YAZAKI TERMINAL TE POLAND SPECIFICATION

TERMINAL NAME: YAZAKI 6.3MM SYSTEM CONNECTOR TERM.

WIRE STRIP LENGTH	INSULATION DIAMETER RANGE
5.50-6.00mm [.217-.236 IN]	Ø 2.85-3.80mm [.112-.150 IN]

TERMINAL APPLICATION TE POLAND

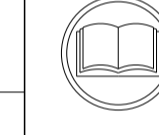
TERMINALS APPLIED

TE TERMINAL	YAZAKI TERMINAL	TE TERMINAL	YAZAKI TERMINAL
1949186-1	7116-4122-02		
1949027-1	7114-4122-02		

WIRE SIZE	CRIMP HEIGHT mm [INCH]	CRIMP HEIGHT REFERENCE SETTING
4.00mm2	2.15+/-0.05 [.085+/- .002]	7.7
3.00mm2	2.05+/-0.05 [.081+/- .002]	8.7

WIRE SIZE	CRIMP HEIGHT mm [INCH]	CRIMP HEIGHT REFERENCE SETTING
4.00mm2	2.10+/-0.05 [.083+/- .002]	8.1
3.00mm2	1.90+/-0.05 [.075+/- .002]	6.1

WIRE SIZE	CRIMP HEIGHT mm [INCH]	CRIMP HEIGHT REFERENCE SETTING
2.5mm2+1.5mm2	2.15+/-0.05 [.085+/- .002]	7.7
2.5mm2+1.5mm2	2.10+/-0.05 [.083+/- .002]	8.1



- 1 RECOMMENDED SPARE PARTS
- 2 REFER TO SUPPLIED INSTRUCTION SHEET FOR CLEANING, LUBRICATION AND STORAGE OF APPLICATOR.
- 3 APPLY PART NUMBER 1-23419-5 LOCTITE TO THREADS OF ITEM 50. APPLY PART NUMBER 2-23419-6 LOCTITE TO THREADS OF ITEM 242.
- 4 CRIMP HEIGHT REFERENCE SETTING WAS THE SETTING USED WHEN THE APPLICATOR WAS QUALIFIED AT THE FACTORY. ADJUSTMENT MAY BE NECESSARY WHEN RUNNING APPLICATOR IN THE FIELD.
- 5. UNLESS SPECIFIED OTHERWISE TORQUE VALUES SHALL BE USED PER DOCUMENT, 101-35000.
- 6 TERMINAL PITCH NOT COMPATIBLE WITH MECHANICAL FEED.
- 7 THE CRIMP HEIGHT VALUE 2.15+/-0.05 IS FOR TERMINAL 7116-4122-02 ONLY.
- 8 THE CRIMP HEIGHT VALUE 2.10+/-0.05 IS FOR TERMINAL 7114-4122-02 ONLY.
- 9 FEED ADJUSTMENT IS REQUIRED WHEN SWITCHING TERMINALS.
- 10 TERMINAL LUBRICANT IS RECOMMENDED.
- 11 THIS CRIMP PARAMETER IS PROVIDED TO MEET A CUSTOM AND UNIQUE CUSTOMER REQUIREMENT. IT HAS BEEN EVALUATED AND IS CONDITIONALLY SPECIFIED BY TE CONNECTIVITY. THIS CUSTOMIZED CRIMP PARAMETER IS NOT LISTED AS AN APPROVED APPLICATION WITHIN THE TERMINAL MANUFACTURER'S SPECIFICATION. **TE CONNECTIVITY EXPRESSLY DISCLAIMS ANY AND ALL WARRANTIES THAT THE PRODUCT WILL PERFORM SIMILARLY TO VALIDATED AND APPROVED APPLICATIONS, AS STATED WITHIN THE MANUFACTURER'S APPLICATION SPECIFICATIONS, INCLUDING BUT NOT LIMITED TO IMPLIED WARRANTIES OF MERCHANTABILITY OR FITNESS FOR PARTICULAR PURPOSE.** AS SUCH IT IS HIGHLY RECOMMENDED THAT THE CUSTOMER PERFORM FURTHER DETAILED EVALUATION TO ASSESS PRODUCT PERFORMANCE IN THE SPECIFIC APPLICATION AND OBTAIN APPROVAL FROM TERMINAL MANUFACTURER FOR THIS CUSTOM REQUIREMENT.

*WARNING
 ON INSTALLATION, SET WIRE DISC TO CRIMP HEIGHT REFERENCE SETTING FOR LARGEST WIRE SIZE. CRIMP HEIGHT REFERENCE SETTINGS GREATER THAN THE VALUE SHOWN MAY CAUSE DAMAGE TO THE CRIMP TOOLING, REFER TO THE INSTRUCTION SHEET FOR PROPER SETUP AND ADJUSTMENTS.

LOC	DIST	REV	DATE	BY	APPD
A	66				

REV	DATE	DESCRIPTION	ITEM NO	
-	1	2119082-7	CAM, SNAIL, INSULATION ADJUSTMENT	244
-	1	2079764-1	WASHER, WAVE SPRING, CREST-TO-CREST	243
-	1	2119083-1	RETAINER, INSULATION DIAL	242
-	1	7-18023-7	SCR, SKT HD CAP M3 X 4.0	241
-	1	2844940-1	AIR FEED MODULE	238
-	2	1-2079383-0	SCR, BHSC, RoHS (M3 X 6)	230
-	1	2-455888-9	SPACER, CRIMPER	188
-	1	4-1976053-0	LOCATER BLOCK, TERMINAL	179
-	1	993111-1	PIN, SLOTTED SPRING 3.0 X 20.0	177
-	1	8-22280-7	SPRING, COMPRESSION	176
-	1	1752353-2	GUIDE PIN, HOLDDOWN	175
-	1	1901680-2	GUIDE PIN, HOLDDOWN	174
-	REF	994970-2	COUNTER, MAGNETIC	164
-	1	2119641-2	FEED CAM, AIR FEED	151
-	1	2168083-8	SCR, SKT HD CAP, RoHS, M4 X 16	144
-	4	2168083-9	SCR, SKT HD CAP, RoHS, M4 X 20	143
-	1	1-1803583-0	APPLICATOR BASIC ASSEMBLY, SF	141
-	1	1803516-2	RAM ASSEMBLY, SF PACIFIC	140
-	1	455888-7	SPACER, CRIMPER	120
-	1	1-18028-2	WASHER, FLAT, REG M4	119
-	1	2119955-1	ASSY, LUBRICATOR, SIDE FEED	113
-	1	2844908-1	SCREW, LOCKING	99
-	1	2844907-1	POST, LOCKING	98
-	1	455888-6	SPACER, CRIMPER	82
-	2	2079383-4	SCR, BHSC, RoHS (M4 X 8)	79
-	1	1803096-1	EXTENSION PLATE	78
-	1	1803607-3	DOCUMENTATION PACKAGE	71
-	1	2119740-1	TAG, IDENTIFICATION	67
-	2	2168078-1	SCREW, DRIVE, RH, RoHS, 2 x .188	66
-	1	5-18022-5	SCR, HEX HD CAP, M4 X 6.0	59
-	1	1338683-8	FEED PAWL	56
-	1	1-5018030-0	NUT, HEX, REG, RoHS, M3.5	52
-	1	1-1901681-0	HOLDDOWN, TERMINAL	51
-	1	2-1752354-5	STANDOFF, HOLD-DOWN	50
-	1	18023-9	SCR, SKT HD CAP M4 X 6.0	49
-	1	1803602-2	SCR, BHSC, RoHS (M8 X 40)	41
-	1	1752356-6	SUPPORT, TERMINAL	34
-	2	2079383-5	SCR, BHSC, RoHS (M4 X 20)	33
-	2	2-2844962-3	SPACER, CYLINDRICAL, STRIP GUIDE	30
-	1	2844992-2	ASSEMBLY, STRIP GUIDE	29
-	1	1-455888-0	SPACER, CRIMPER	28
-	1	1320928-4	STRIP GUIDE	24
-	1	2168083-2	SCR, SKT HD CAP, RoHS, M4 X 8.0	21
-	1	1-18028-2	WASHER, FLAT, REG M4	20
-	1	2119533-1	STRIPPER, SIDE FEED	19
-	1	2119806-1	INSERT, SHEAR	13
-	1	3-22280-3	SPRING, COMPRESSION	12
-	1	1-356885-4	STOP, SHEAR	11
-	1	2119805-1	SHEAR HOLDER, FRONT	10
-	1	318707-1	FLOATING SHEAR, FRONT	9
-	1	1333210-5	ANVIL, COMBINATION	8
-	-	-	-	7
-	-	-	-	6
-	1	2119757-8	DEPRESSOR, SHEAR	5
-	1	1-238011-2	BLOCK, CRIMPER SPACER	4
-	1	5-1633963-9	CRIMPER, INSULATION OVERLAP PREMIUM	3
-	-	-	-	2
-	1	456411-7	CRIMPER, WIRE PREMIUM	1
-	-	-	-	1

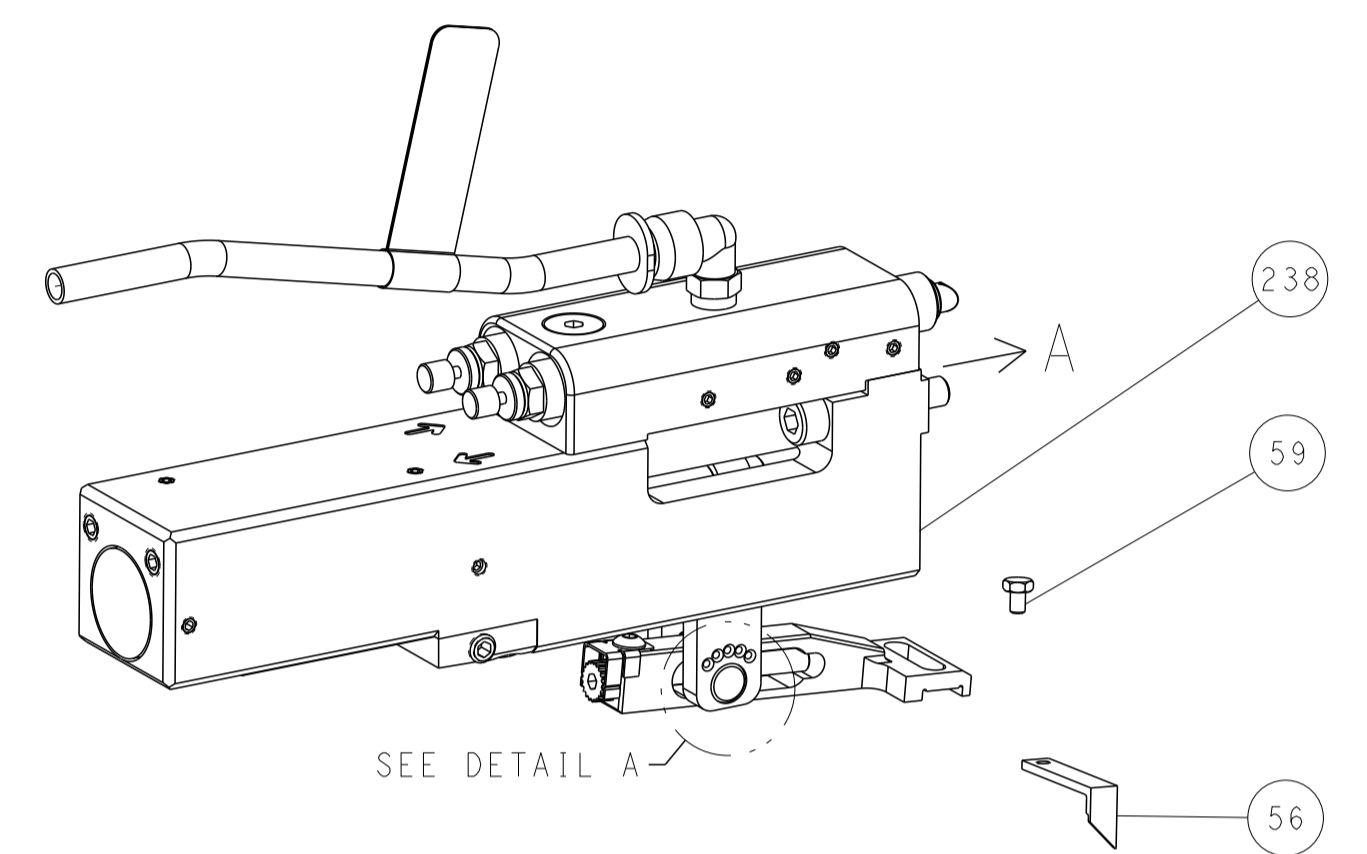
PACIFIC VERSION
 Shown on sheets 3 of 4 & 4 of 4
 (Atlantic version shown on sheets 1 of 4 & 2 of 4)

DIMENSIONS:	TOLERANCES UNLESS OTHERWISE SPECIFIED:	DWG	CHK	APPD	NAME
mm	0 PLC ± 1 PLC ± 3 PLC ± 4 PLC ± ANGLES ±	02OCT2012	G. BALEY	T. ELBIN	Ocean Side Feed Applicator
MATERIAL:	FINISH:	WEIGHT:	SCALE:	SHEET:	REV:
-	-	-	1:2	3 OF 4	F

LOC	DIST	REVISIONS					
A	66	P	LTN	DESCRIPTION	DATE	DWN	APVD
		-		SEE SHEET 1			

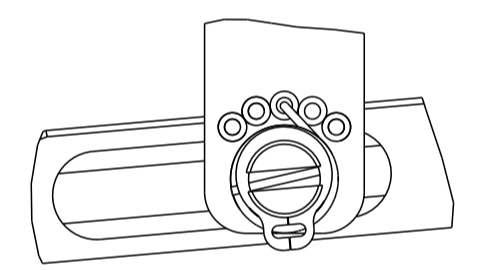
FEED TYPE

PNEUMATIC



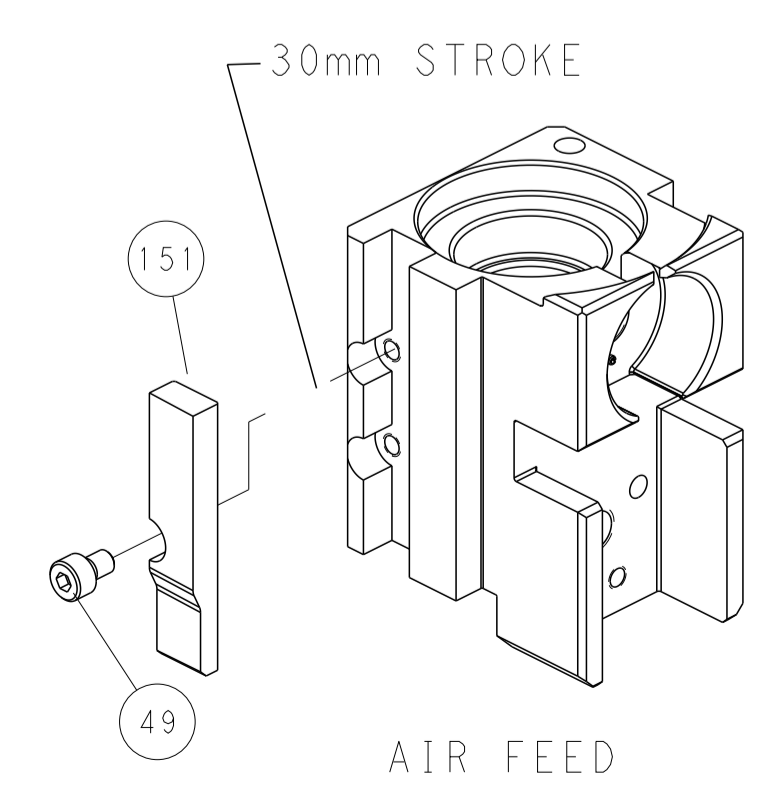
SEE DETAIL A

FEED SPRING SETTING POSITION (SHOWN FROM REAR SIDE)

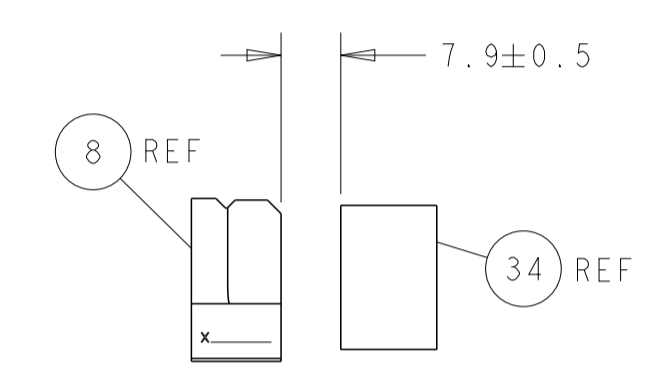
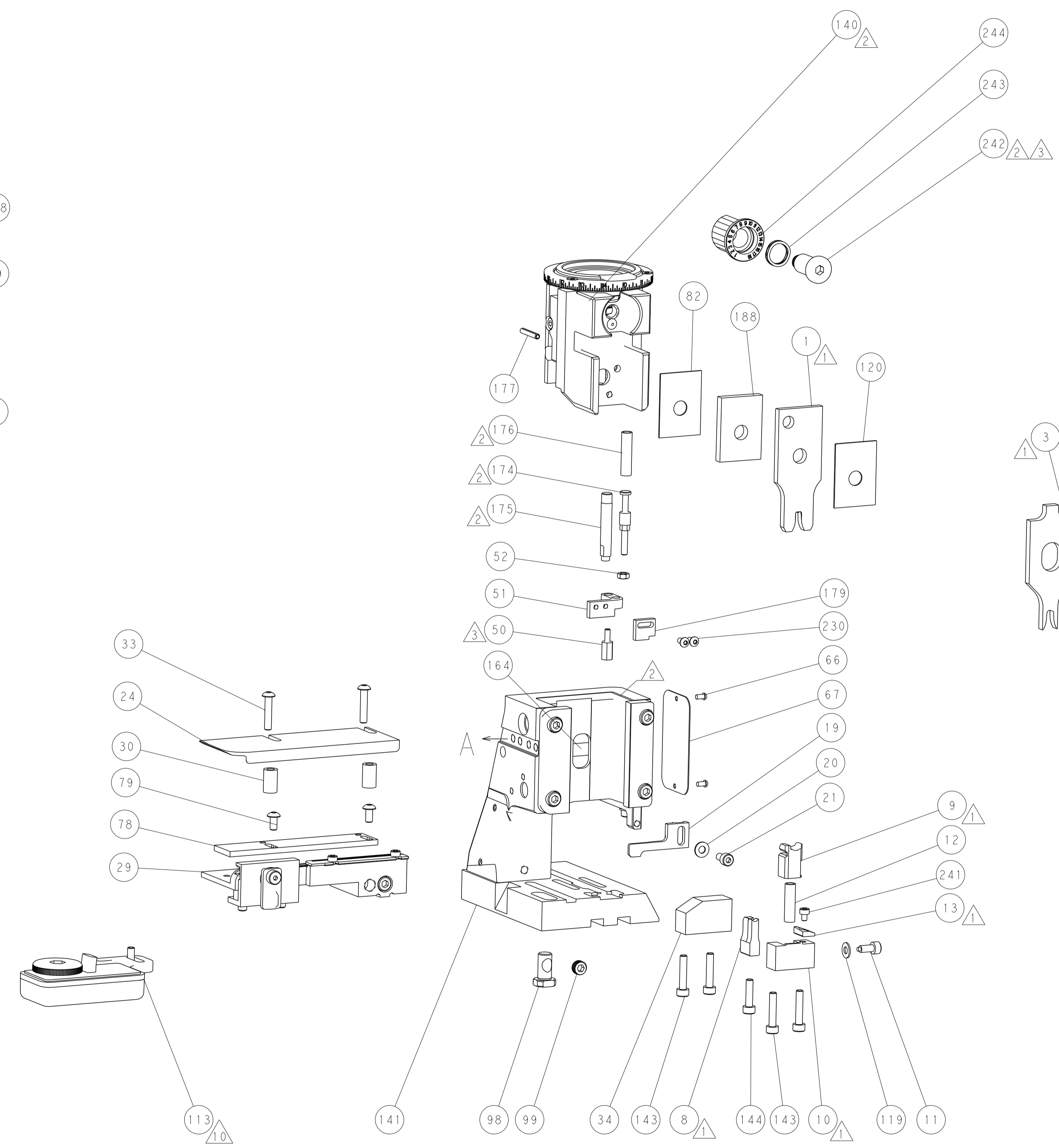


DETAIL A

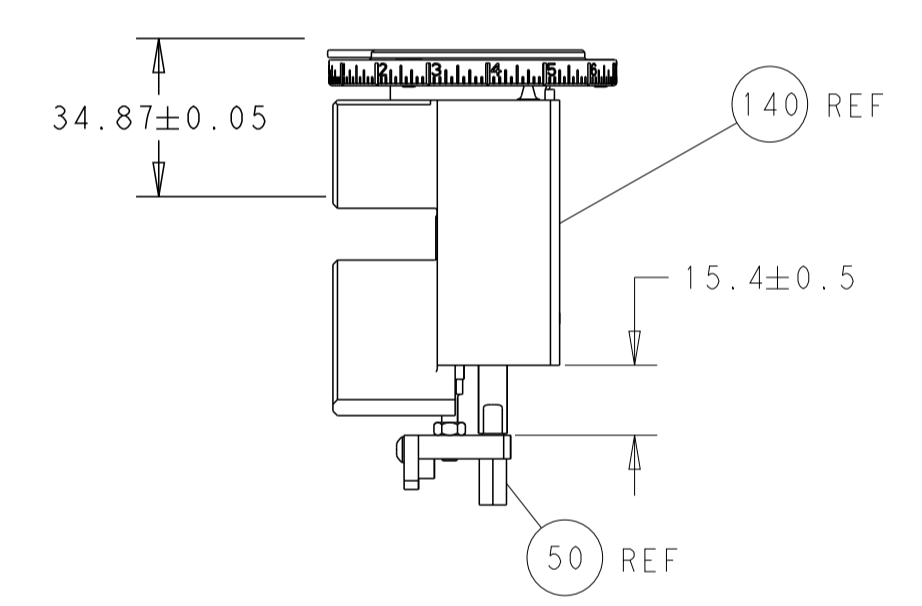
CAM POSITION



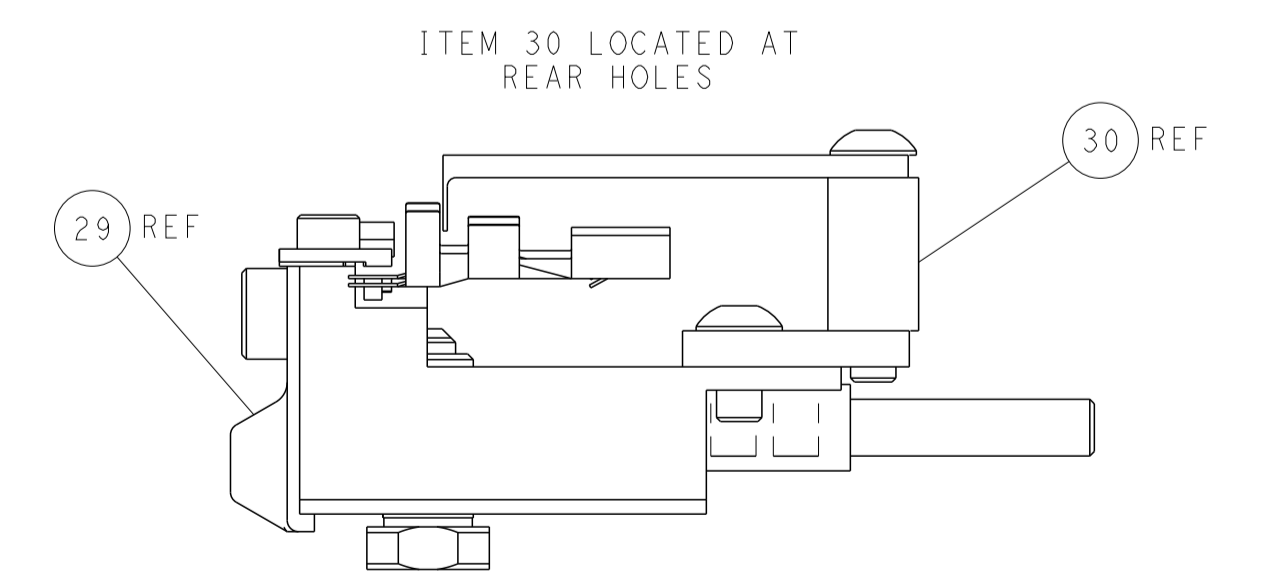
AIR FEED



TERMINAL SUPPORT LOCATION



RAM AND HOLDDOWN SET-UP



FEED TRACK POSITION GUIDE BY INSULATION BARREL

PACIFIC VERSION
 Shown on sheets 3 of 4 & 4 of 4
 (Atlantic version shown on sheets 1 of 4 & 2 of 4)

<small>THIS DRAWING IS UNPUBLISHED. RELEASED FOR PUBLICATION 20. THIS DRAWING IS UNPUBLISHED. RELEASED FOR PUBLICATION 20. THIS DRAWING IS UNPUBLISHED. RELEASED FOR PUBLICATION 20. THIS DRAWING IS UNPUBLISHED. RELEASED FOR PUBLICATION 20.</small>		DWN: R. STAKEM 02OCT2012 CHK: G. BAILEY 02OCT2012 APVD: T. ELBIN 02OCT2012	NAME: TE Connectivity Harrisburg, PA 17105-3608
DIMENSIONS: mm TOLERANCES UNLESS OTHERWISE SPECIFIED: 0 PLC ± 1 PLC ± 2 PLC ± 3 PLC ± 4 PLC ± ANGLES ± FINISH	PRODUCT SPEC: APPLICATION SPEC: WEIGHT: SCALE: 1:2	SIZE: A1 CAGE CODE: 00779 DRAWING NO: 2151765	RESTRICTED TO: SHEET 4 OF 4 REV F