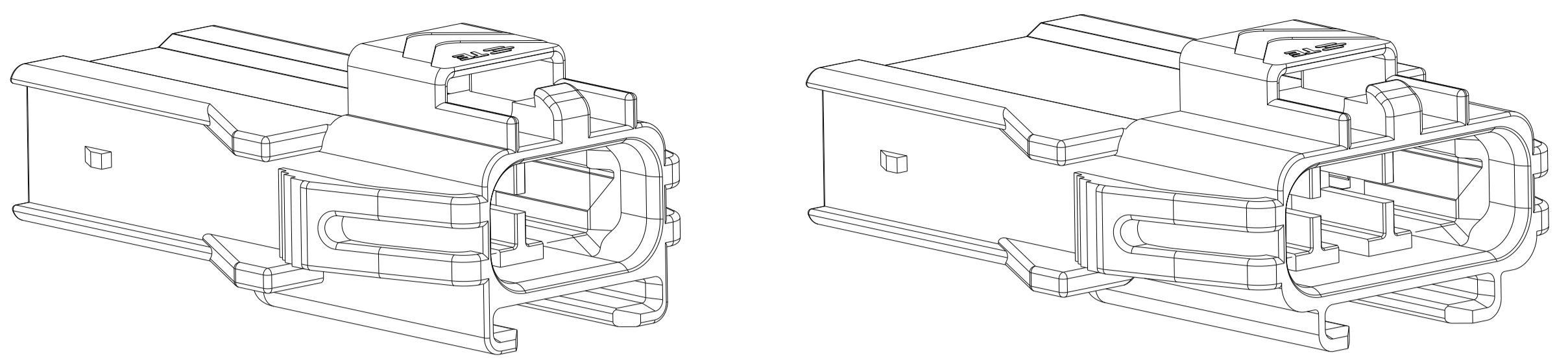
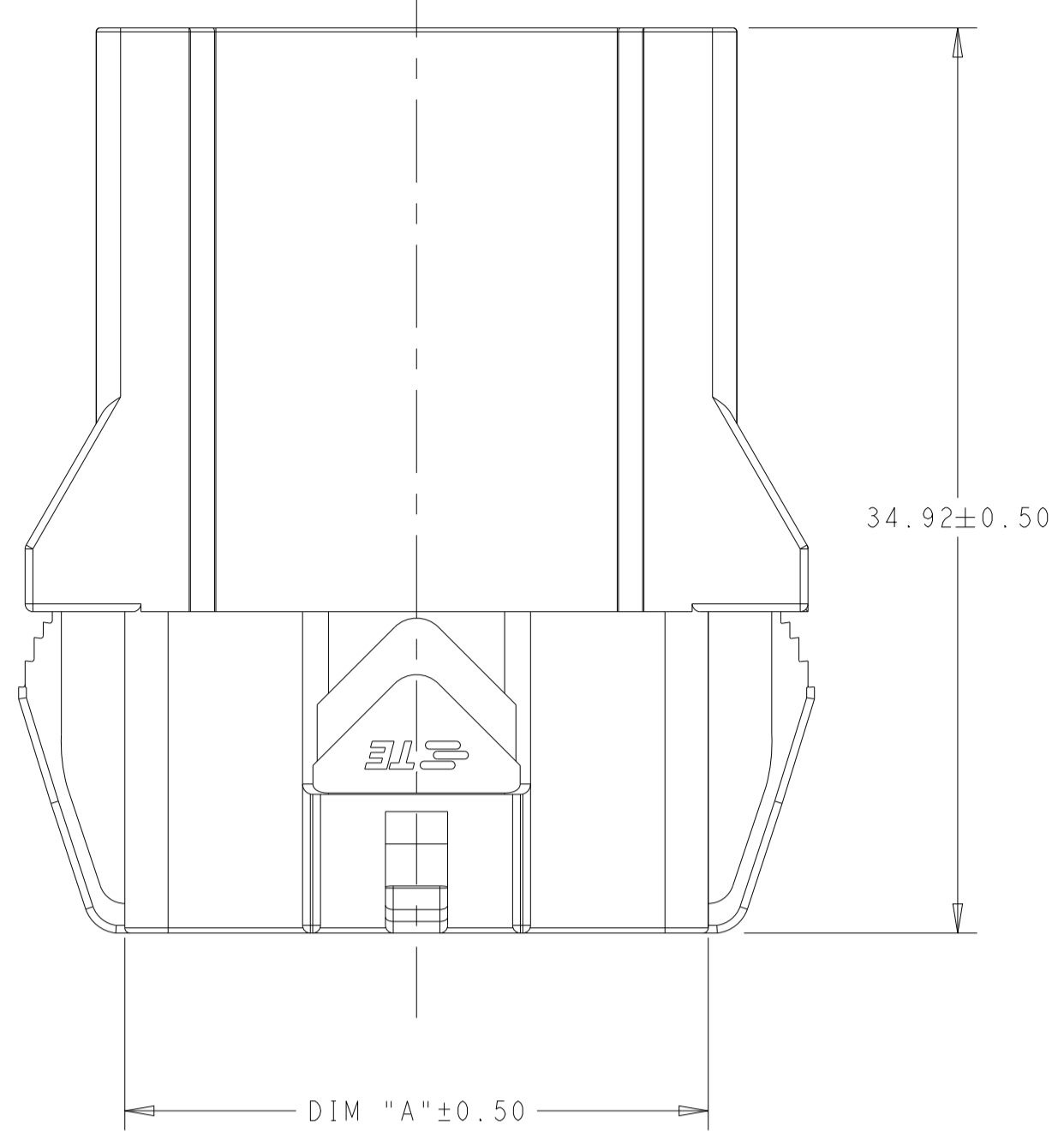
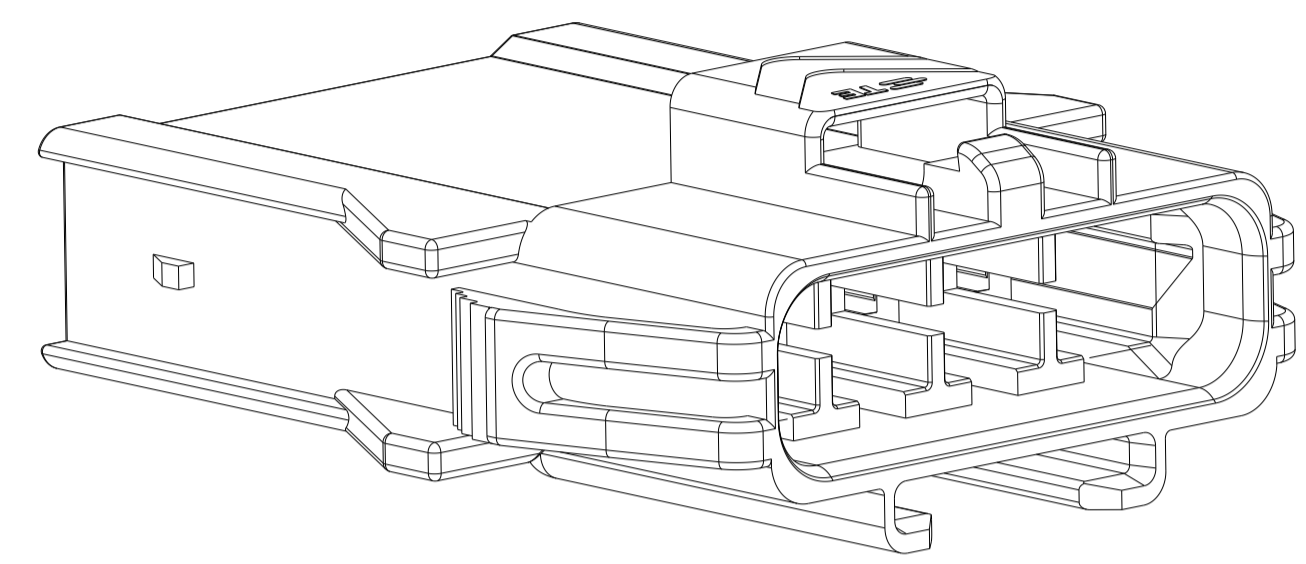


REVISIONS					
P	LTM	DESCRIPTION	DATE	DWN	APVD
A		RELEASED PER ECN-20-100548	30OCT2020	JP	VS
B		REVISED PER ECR-22-142839	28JUL2022	PJ	VS



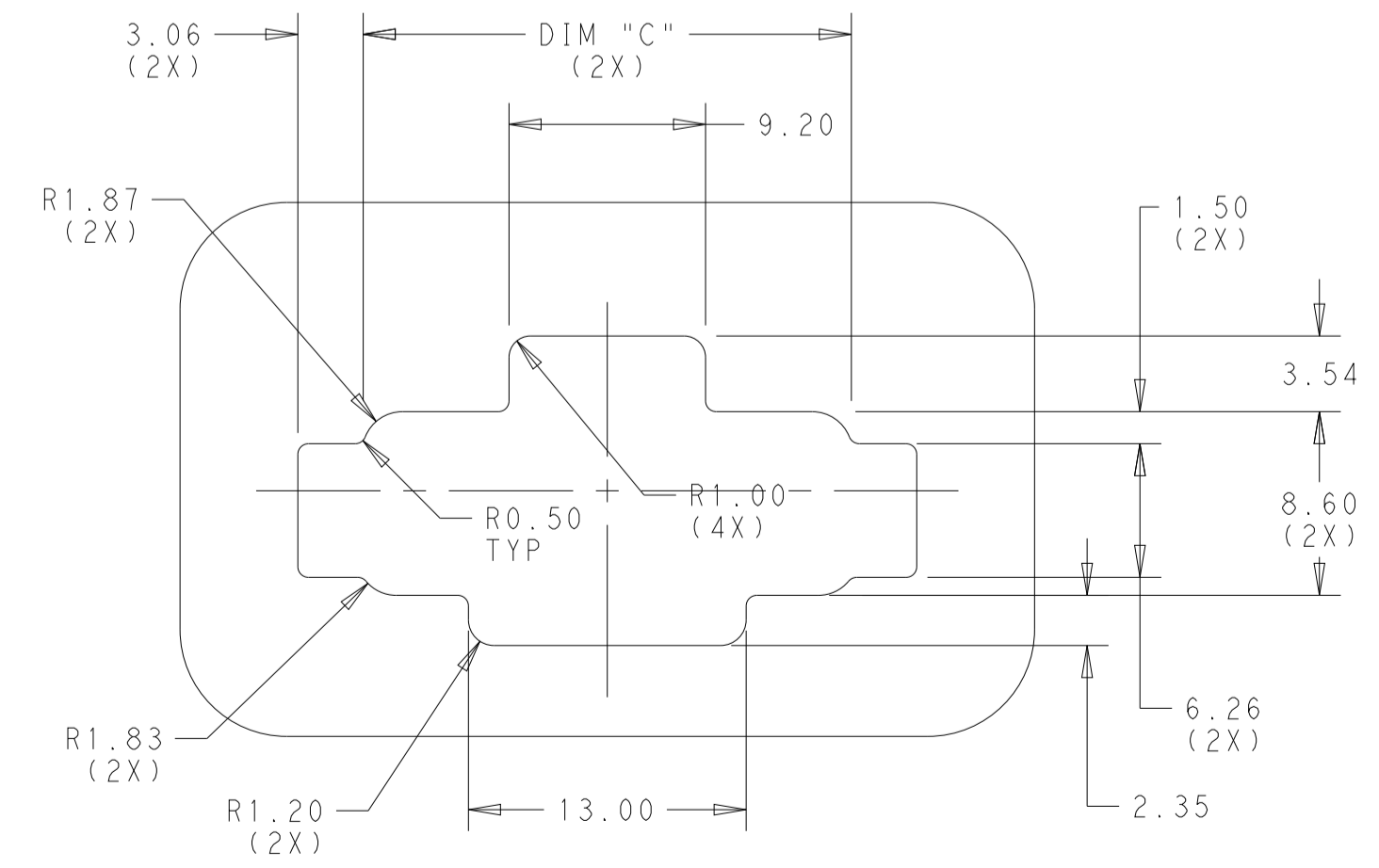
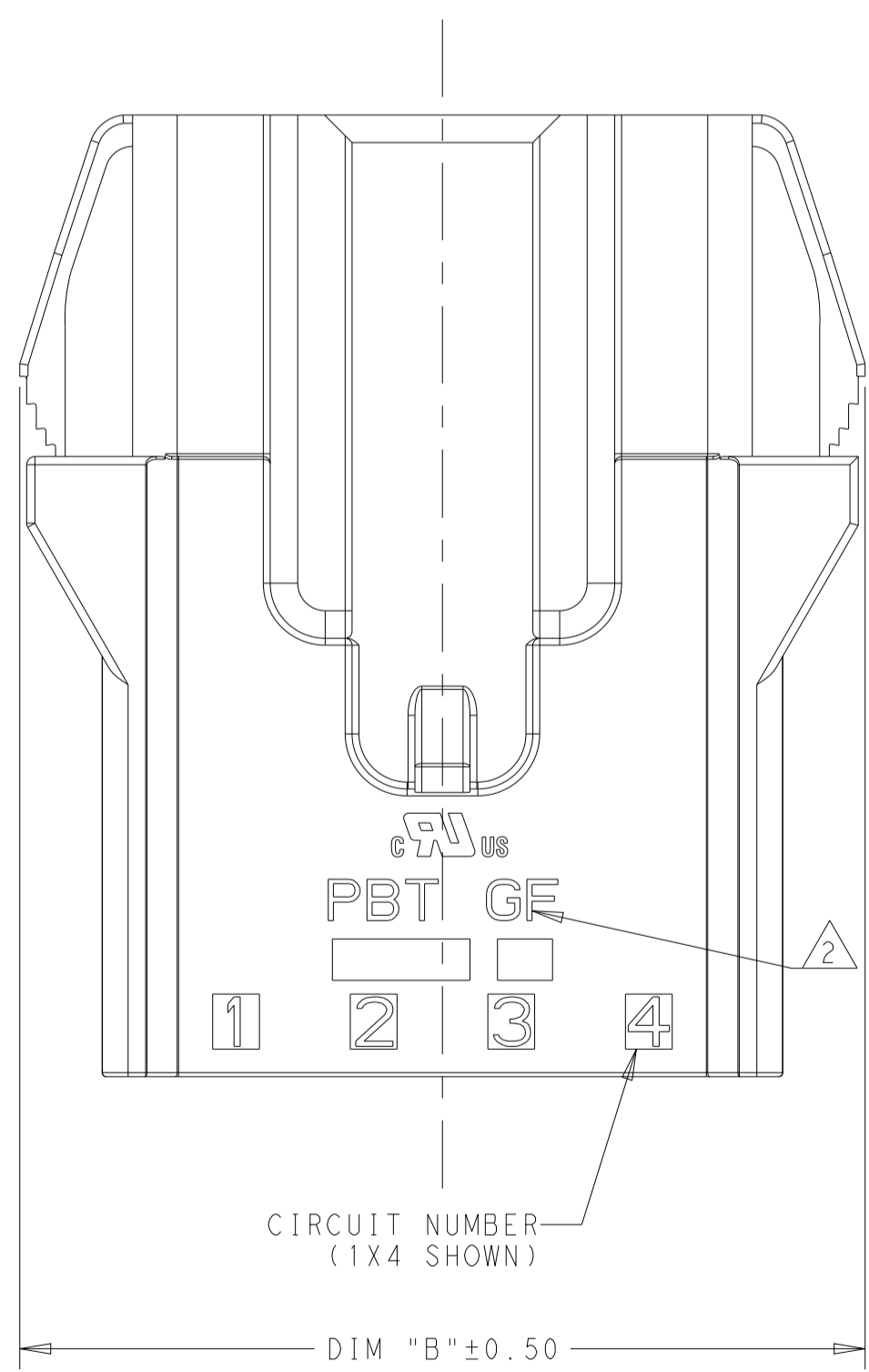
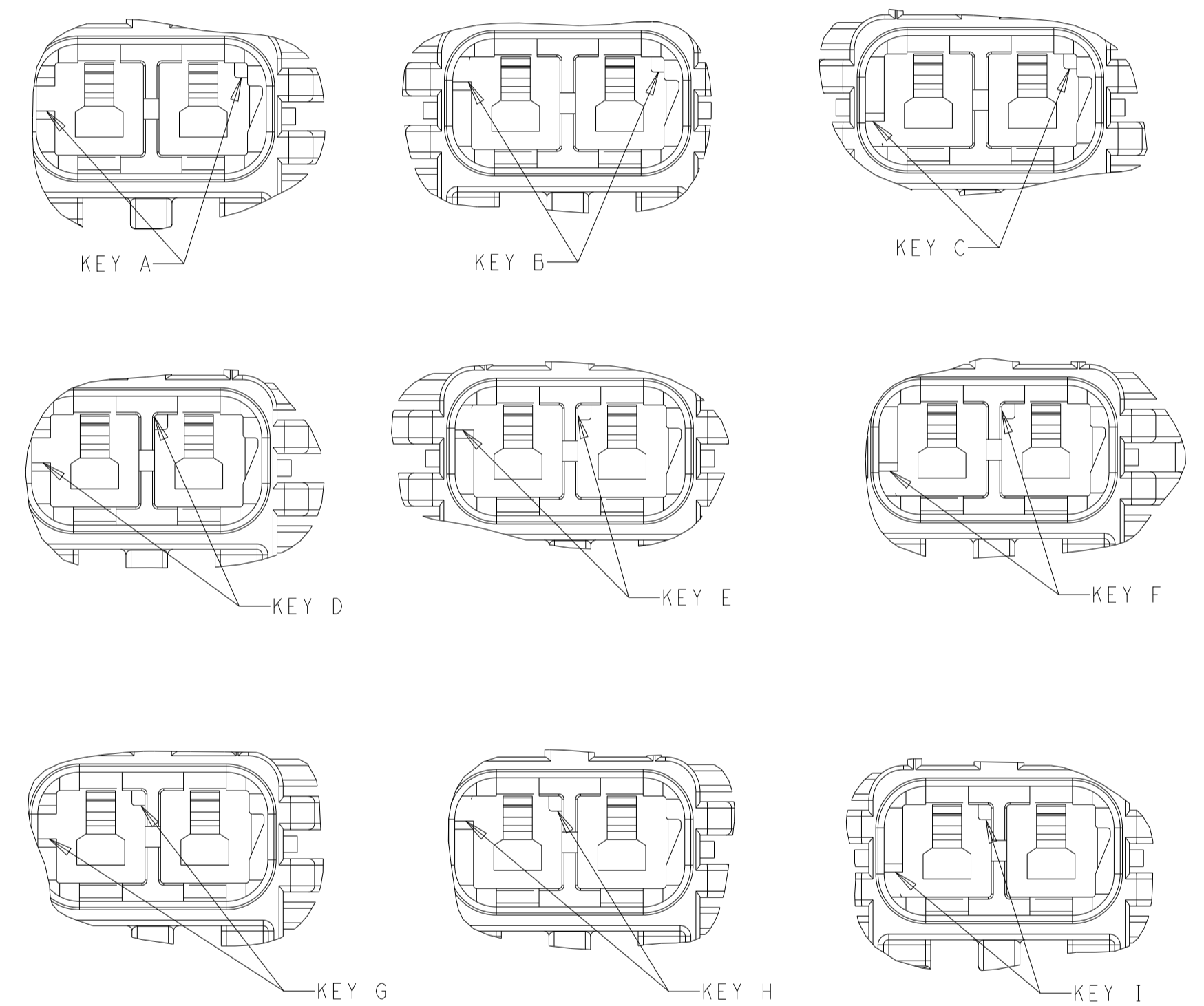
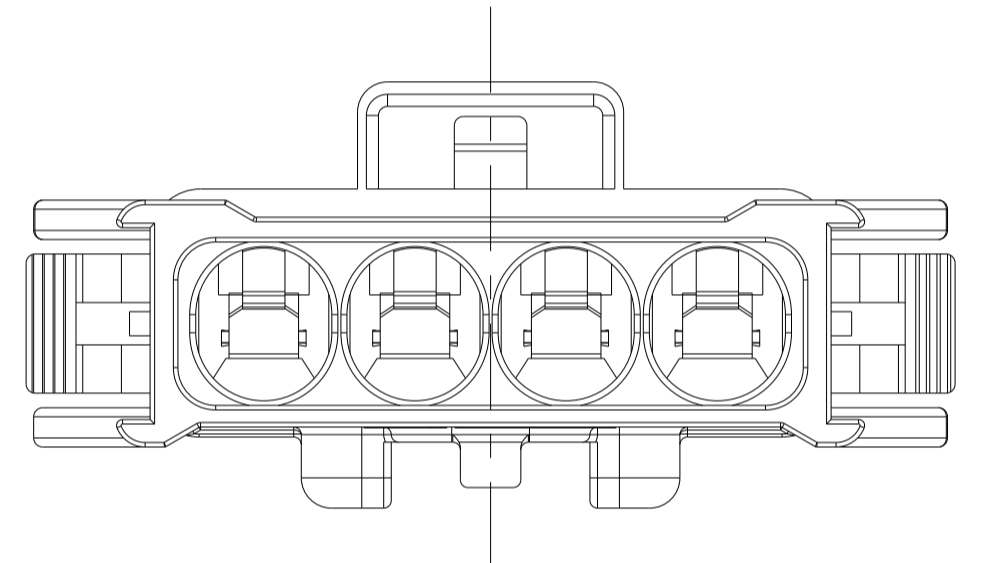
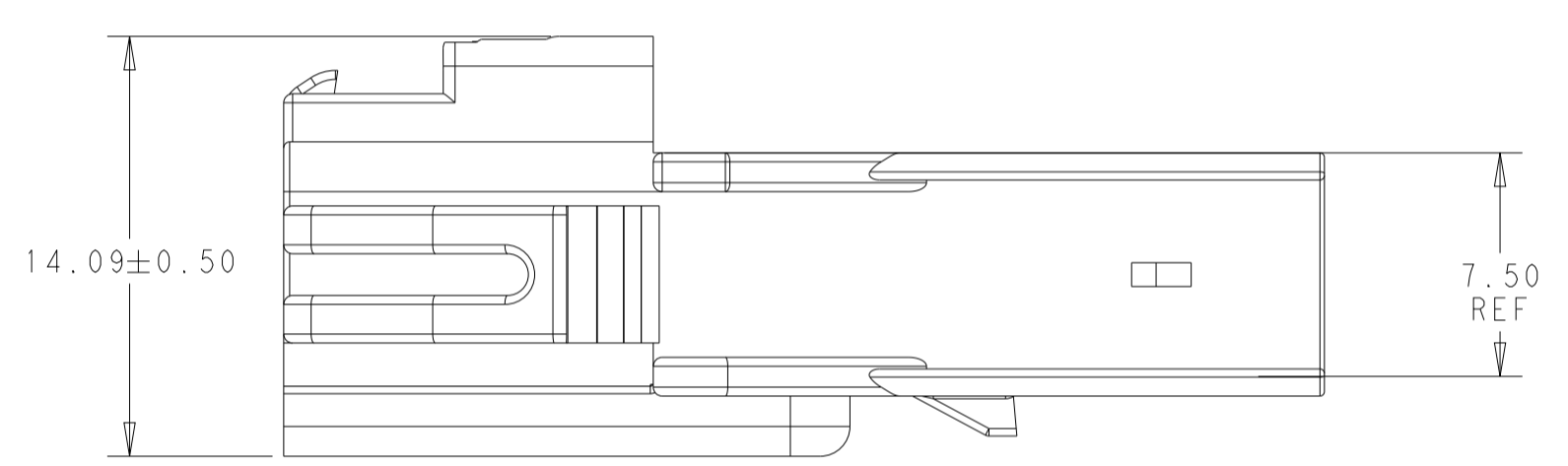
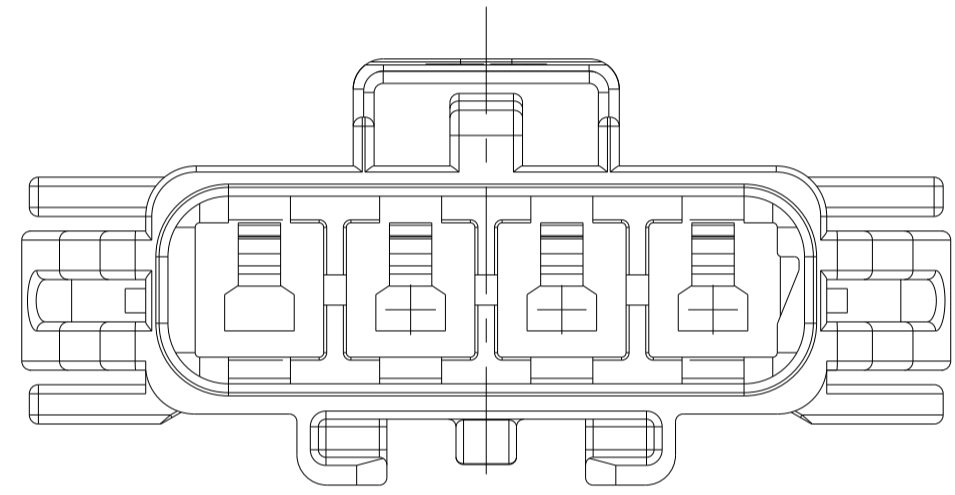
1x2 POSITION

1x3 POSITION

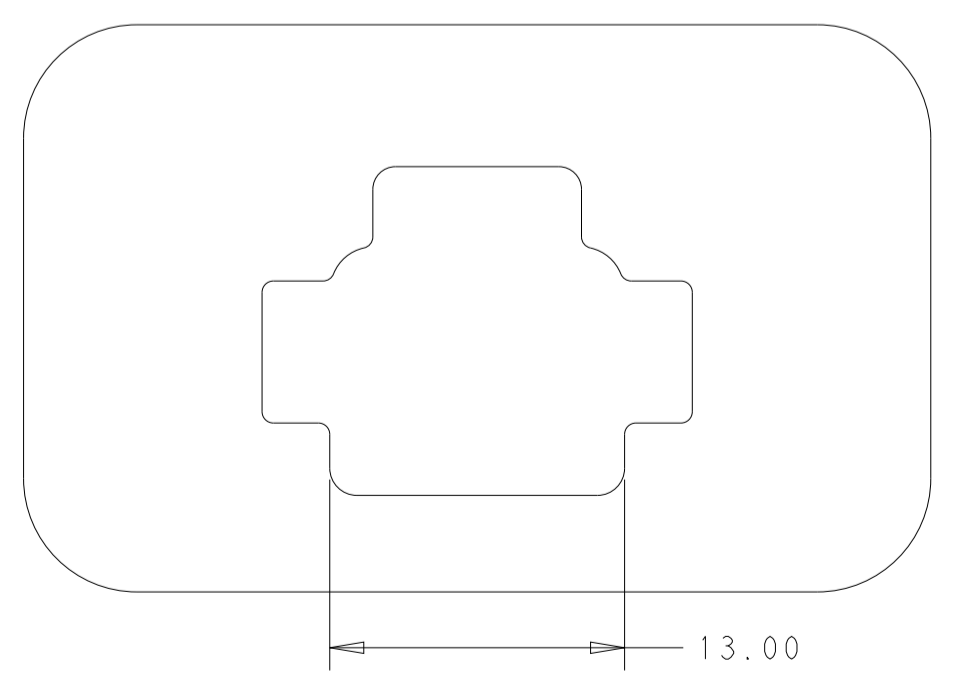


1x4 POSITION

1. MATERIAL: PBT, GLASS FILLED  
 KEY A: NATURAL; KEY B: GREY; KEY C: BROWN  
 KEY D: RED; KEY E: ORANGE; KEY F: VIOLET  
 KEY G: YELLOW; KEY H: BLUE; KEY I: GREEN
2. MATERIAL MARK: PBT GF
3. APPLICABLE CONTACT P/N:  
 2329910-\*/2329907-\*/2329906-\*/2329908-\*/2329909-\*/2329911-\*
4. MATING CONNECTOR P/N  
 PLUG HSG: \*-2378159-  
 TPA: 2329016-  
 BACK COVER: 2334614-  
 INTERFACE SEAL: 2325347-  
 GANG SEAL: 2325349-\*
5. RECOMMENDED PANEL THICKNESS: 0.80-2.00
6. PANEL MUST BE PUNCHED SO THAT THE HOUSING ENTERS THE PANEL IN THE SAME DIRECTION AS THE PUNCH.
7. FLAMMABILITY RATING: UL94 V-0



RECOMMENDED PANEL CUT-OUT  
 (ALL DIMENSIONS ±0.15)



(1-2) PANEL CUT-OUT  
 (ALL DIMENSIONS ±0.15)

22.85	30.73	22.52	KEY C	1*4	3-2378158-4
22.85	30.73	22.52	KEY B	1*4	2-2378158-4
22.85	30.73	22.52	KEY A	1*4	1-2378158-4
17.85	25.73	17.52	KEY C	1*3	3-2378158-3
17.85	25.73	17.52	KEY B	1*3	2-2378158-3
17.85	25.73	17.52	KEY A	1*3	1-2378158-3
12.85	20.73	12.52	KEY I	1*2	9-2378158-2
12.85	20.73	12.52	KEY H	1*2	8-2378158-2
12.85	20.73	12.52	KEY G	1*2	7-2378158-2
12.85	20.73	12.52	KEY F	1*2	6-2378158-2
12.85	20.73	12.52	KEY E	1*2	5-2378158-2
12.85	20.73	12.52	KEY D	1*2	4-2378158-2
12.85	20.73	12.52	KEY C	1*2	3-2378158-2
12.85	20.73	12.52	KEY B	1*2	2-2378158-2
12.85	20.73	12.52	KEY A	1*2	1-2378158-2
DIM C	DIM B	DIM A	KEYING	POSITIONS	PART NUMBER

THIS DRAWING IS A CONTROLLED DOCUMENT.

DIMENSIONS:	TOLERANCES UNLESS OTHERWISE SPECIFIED:	DWN B. WEAVER 17AUG2020	CHK D. SWARTZ 17AUG2020	APVD V. SHETLAR 17AUG2020
mm	0 PLC ±0.35 1 PLC ±0.25 2 PLC ±0.25 3 PLC ±0.25 4 PLC ±0.25 ANGLES ±0.25	NAME: CAP HOUSING, PANEL MOUNT, POWER VERSA-LOCK PRODUCT SPEC: 108-143081 APPLICATION SPEC: 114-143082 WEIGHT: - CUSTOMER DRAWING: -		
MATERIAL:	1	SIZE: A1 CAGE CODE: 00779 DRAWING NO: 2378158 SCALE: 4:1 SHEET: 1 OF 1 REV: B		

TE Connectivity