
Product Change Notification (PCN)

Issue Date: **08/01/2015**
Modification/Revision Date: **08/01/2015**

Modular Jack

Change Notification: **PCN-US-2015-20150801Modular Jack**

Description of changes: **Change of Production Location
Change of New Tools
Change of Part Numbers**

1. Amendment of the specification
2. Change of dimensions, see sheet 3
3. Listed drawing # replaces all prior drawings, see sheet 2
4. Spring Wire: 0.35MM Thickness Phosphor

Date of change and Implementation: **Change: 07/15/2015**

Key Characteristics of Change: **Change of part number**

Products Affected: **A-2004-3-4-R**

Reason for Change: **Part number unification**

Response: **No response to this notification is required.**

Product Change Notification (PCN)

Issue Date: **08/01/2015**
Modification/Revision Date: **08/01/2015**

Reference Documents / Attachments:

Document: Drawing

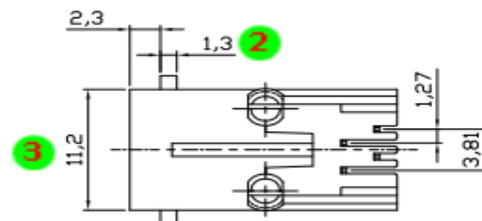
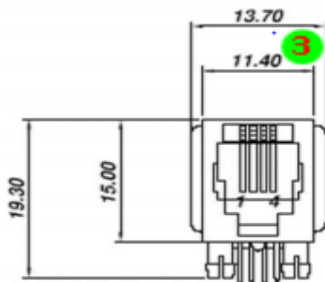
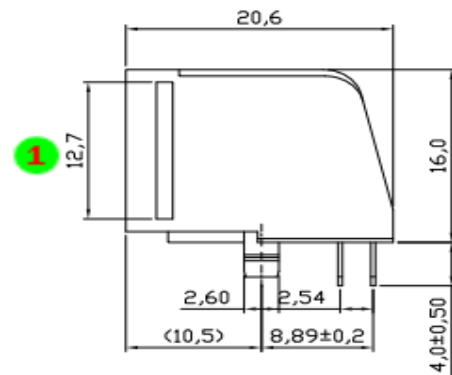
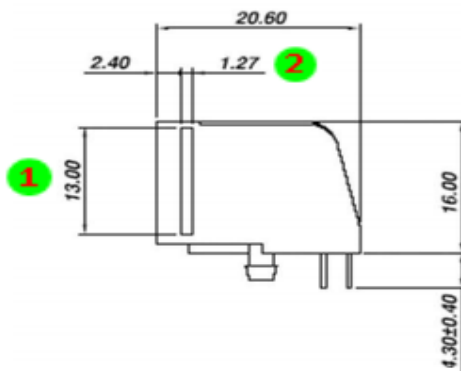
Previous part number	New part number	Drawing number
A-2004-3-4-R	A-20040	ASS_0447_COrev02

Product Change Notification (PCN)

Issue Date: **08/01/2015**
Modification/Revision Date: **08/01/2015**

A-2004-3-4
Old version

A-20040
New version



- 1) 13.00
- 2) 1.27
- 3) 11.40

- 1) 12.7
- 2) 1.3
- 3) 11.2