

# MATERIALS & SPECIFICATIONS

**HOUSING:**  
ALUMINUM 6061, NICKEL PLATE  
(500 MICRONS MINIMUM) PER  
SAE-AMS-2404

**INSULATOR:**  
LIQUID CRYSTAL POLYMER (LCP)  
PER ASTM D5138

**CONTACTS:**  
COPPER ALLOY PER MIL-DTL-  
32139, GOLD PLATED PER ASTM  
B488, (HARD GOLD) TYPE II  
CODE C, CLASS 1.27

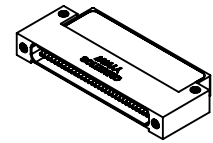
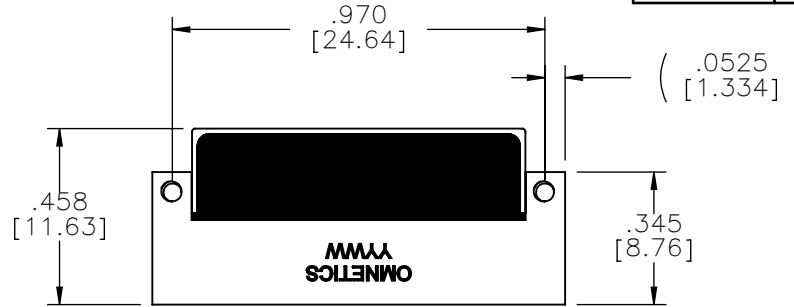
**TERMINATION:**  
SOLDER COATED WITH SN63A  
PER J-STD-006

**CURRENT RATING:**  
1 AMP MAX PER MIL-DTL-32139

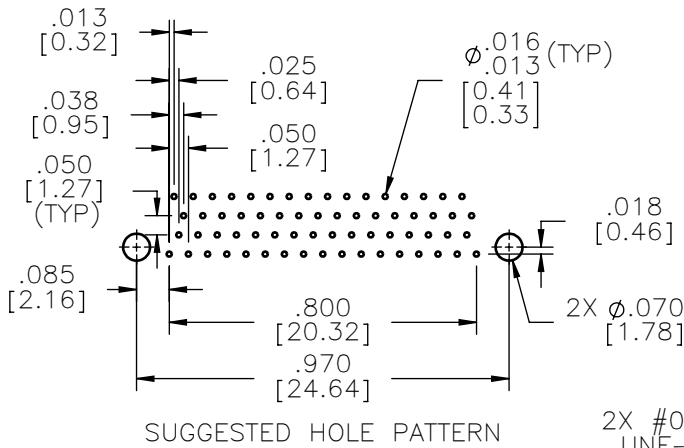
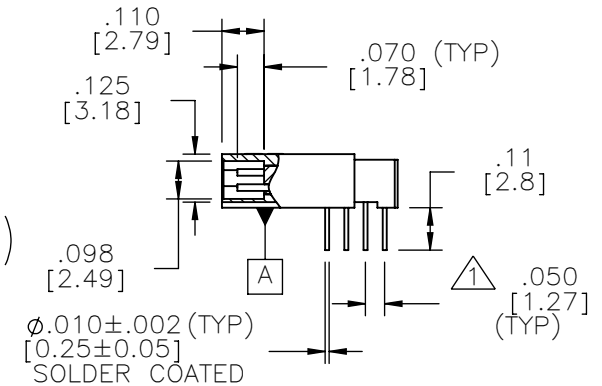
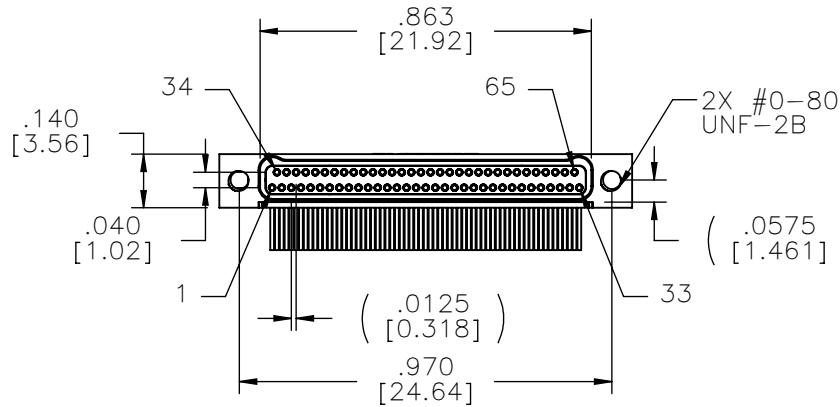
**CONTACT RESISTANCE:**  
71 MILLIOHM MAX (71mV DROP  
MAX) @ 1.0 AMPS PER MIL-  
DTL-32139

**PERFORMANCE:**  
PRODUCT FAMILY TESTED TO AND  
PASSED THE PERFORMANCE  
SPECIFICATIONS OF TABLE VIII OF  
MIL-DTL-32139

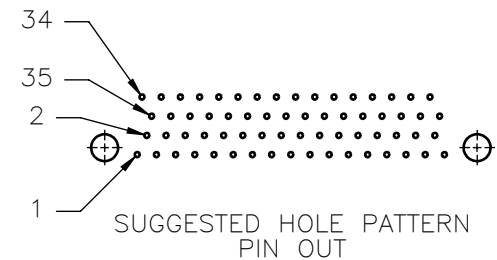
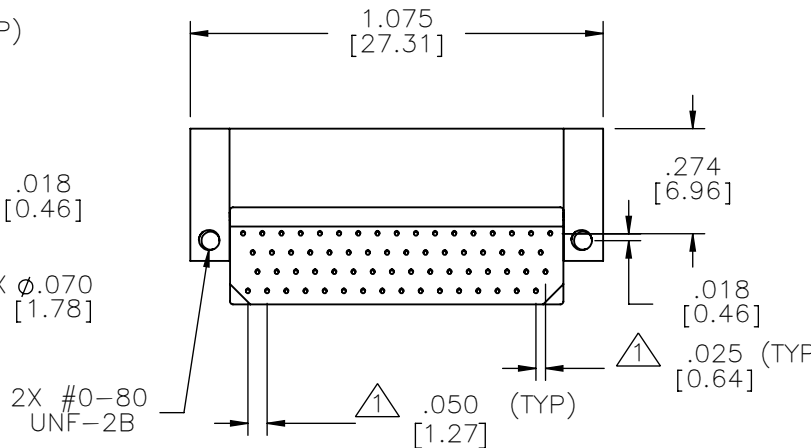
PART NO.	A29400-065	REV	ECO	DATE	APP
		P	106790	10-28-2020	TLM



ACTUAL SIZE



SUGGESTED HOLE PATTERN



TAIL DIMENSIONS APPLY AT PLANE A

**NOTE:**  
DIMENSIONS IN [ ] ARE IN  
MILLIMETERS UNLESS  
OTHERWISE NOTED AND ARE  
FOR REFERENCE ONLY

THIRD ANGLE	
- TOLERANCES -	
UNLESS OTHERWISE NOTED	
DIMENSIONS IN INCHES	
2	PL DEC ± .01
3	PL DEC ± .005
4	PL DEC ± .0005
ANGLES ± 1°	

THIS DRAWING CONTAINS CONFIDENTIAL AND PROPRIETARY INFORMATION WHICH IS THE PROPERTY OF OMNETICS CONNECTOR CORP. THIS DOCUMENT MAY NOT, IN WHOLE OR IN PART, BE DUPLICATED, OR DISCLOSED FOR ANY PURPOSE, WITHOUT WRITTEN PERMISSION FROM OMNETICS CONNECTOR CORP.

DFTM. SKP	DATE	12-29-04
CHK'D.	DATE	
APP'D.	DATE	

TITLE:  
(65) SOCKET FEMALE  
Bi-Lobe® CONNECTOR

**OMNETICS**  
CONNECTOR CORPORATION  
7260 COMMERCE CIRCLE EAST  
MINNEAPOLIS, MN 55432  
WWW.OMNETICS.COM

CAGE CODE 61873	
DWG NO. A29400-065	
SHEET 1 OF 1	REV P
SCALE: 2:1	