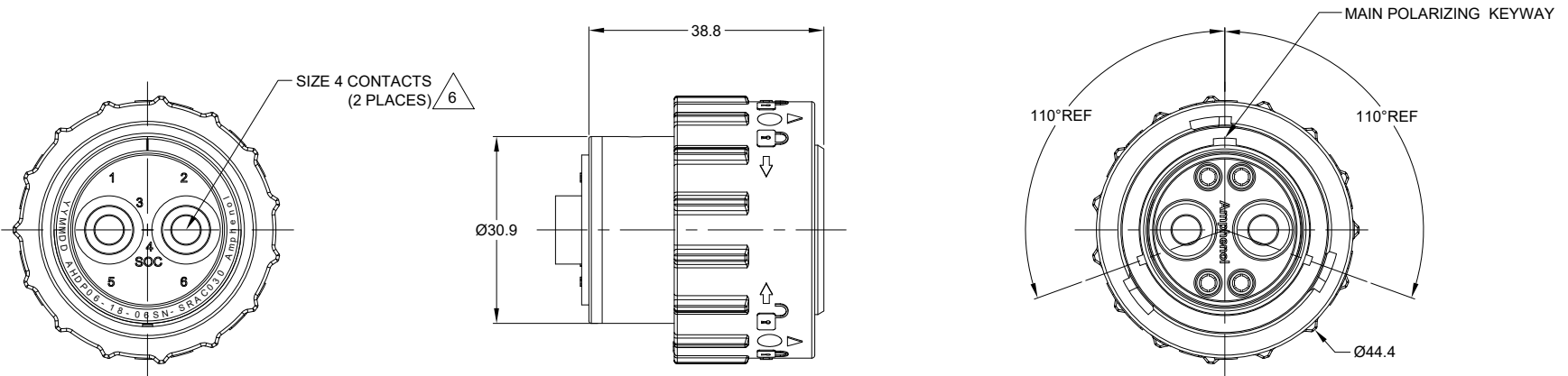


REVISIONS					
REV	ECO	DESCRIPTION	DATE	BY	APPR
A1	--	RELEASE NEW DRAWING	19/AUG/20	IAN	TOMMY

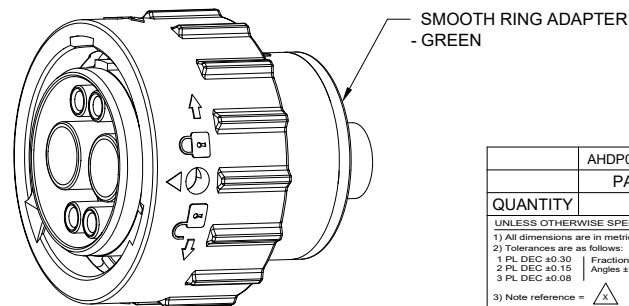


NOTES: UNLESS OTHERWISE SPECIFIED

1. MATERIAL:  
HOUSING: THERMOPLASTIC; BLACK  
SEAL: SILICONE RUBBER
2. MODIFICATIONS: SMOOTH RING ADAPTER;  
STANDARD DIA. WIRE SEAL
3. SPECIFICATIONS:
  - 3.1 OPERATING TEMPERATURE: -55°C TO +125°C.
  - 3.2 DIELECTRIC WITHSTANDING VOLTAGE: LESS THAN 2 MILLIAMPS CURRENT LEAKAGE @ 1500 VOLTS AC.
  - 3.3 INSULATION RESISTANCE: 1000 MEGOHM MIN @ 25°C.
  - 3.4 MOISTURE RESISTANCE: IP67&IP69K ( MATED CONDITION ).
  - 3.5 MATING CYCLE DURABILITY: 100 CYCLES
  - 3.6 RoHS COMPLIANT
4. MATING PART: AHDP04-18-06P\* ( \* = SEAL TYPE ) (C030 OPTION)
5. ALL DIMENSIONS ARE FOR REFERENCE USE ONLY.

6 CONTACT SIZE AND WIRE RANGE:

CONTACT SIZE	MIN. INSUL O.D.	MAX. INSUL O.D.	TYPICAL WIRE RANGE	CURRENT RATING
4	6.63 mm (.261in)	7.41 mm (.292 in)	6 AWG (16.0-13.0mm <sup>2</sup> )	100 AMPS



AHDP06-18-06SN-SRAC030		REF:HDP26-18-6SN-C030	
PART NUMBER		DESCRIPTION	
QUANTITY	MATERIALS LIST		
UNLESS OTHERWISE SPECIFIED: 1) All dimensions are in metric (mm). 2) Tolerances are as follows: 1 PL DEC ±0.30 2 PL DEC ±0.15 3 PL DEC ±0.08 3) Note reference =		SIGNATURES      DATE DRAWN: IAN XIAO      19/AUG/20 CHECKED: ORION LI      20/AUG/20 ENGINEER: APPROVAL: TOMMY XIE      21/AUG/20	
MATERIAL SPECIFICATIONS:		CUSTOMER:	
PROCESS SPECIFICATIONS:		THIS DRAWING IS SUPPLIED FOR INFORMATION ONLY. DESIGN FEATURES, SPECIFICATIONS AND PERFORMANCE DATA SHOWN HEREON ARE THE PROPERTY OF THE AMPHENOL CORPORATION. NO RIGHTS OF REPRODUCTION ARE IMPLIED. ALL DIMENSIONS ARE SUBJECT TO NORMAL MANUFACTURING VARIATIONS.	
NEXT ASSY:		SCALE: NONE	
		<p style="text-align: center;"><b>Amphenol</b></p> <p style="text-align: center;">Sine Systems - www.amphenol-sine.com 44724 Morley Drive Clinton Township, MI 48036</p> <p style="text-align: center;">PLUG, 18 SZ, 6 PIN, STD ARRANGEMENT, NORMAL SEAL, CAVITIES 1, 2, 5, 6 BLOCKED, SRA, DURAMATE AHDP SERIES</p>	
		SIZE: <b>B C-</b>	REVISION: <b>A1</b>
		DWG NO: AHDP06-18-06SN-SRAC030	
		SHEET 1 OF 1	

TITLE: PLUG, 18 SZ, 6 PIN, STD ARRANGEMENT, NORMAL SEAL, CAVITIES 1, 2, 5, 6 BLOCKED, SRA, DURAMATE AHDP SERIES  
DWG NO: AHDP06-18-06SN-SRAC030  
REV: A1  
SH: 1  
OF: 1