



# Dynamic Loudspeaker

**15 × 11 × 3.5 mm**

**With gasket**

**CR1511L035UN8GDA**

## Revision

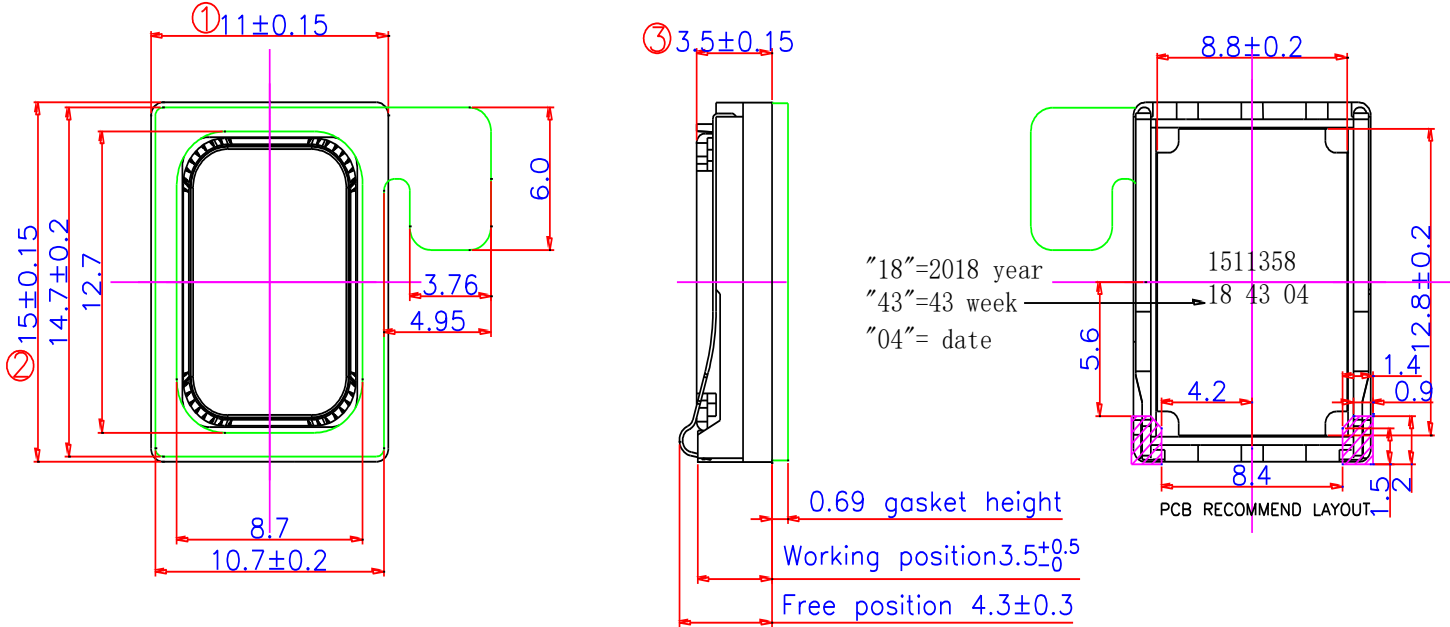
<b>Date</b>	<b>Version</b>	<b>Status</b>	<b>Changes</b>	<b>Approver</b>
2018/10/15	V0.1	Draft	Initial release	AX
2018/10/25	V0.2	Draft	Add print code	AX
2018/10/31	V0.3	Draft	Modify tray size	AX
2019/09/20	V0.4	Draft	Add recommend PCB layout size	AX
2019/10/11	V0.5	Draft	Update layout size	AX
2019/10/15	V0.6	Draft	Update layout size	AX

Parameter	Conditions/Description	Values	Units
Rated Input Power	in 1cc closed box	0.7	W
Max Input Power	in 1cc closed box	1.0	W
Rated Impedance	1V input	8±15%	Ω
Sound Pressure Level	0.7W/0.1M at AVE 0.8K 1.0K 1.2K 1.5K Hz in 1cc box	89±3	dB
Resonant Frequency (Fo)	In Free air in 1.0cc closed box	550±20% 850±20%	Hz
Frequency Range		F0-10k	Hz
Distortion	at 1K Hz, input 1.0V, in 1cc box	< 10%	-
Magnet	NdFeB		
Buzz, Rattle, etc.	must be normal at sine wave between Fo ~ 20 kHz, in 1cc box	2.35	V
Polarity	cone will move forward with positive dc current to "+" terminal		
Weight		1.5	g
Operating		-20~+60	°C
Storage Temperature		-30-+70	°C
WaterProof		NA	

Notes: All specifications measured at 5~35°C, humidity at 45~85%, under 86~106 kPa pressure, unless otherwise noted.

**MECHANICAL DRAWING**

Units: mm  
Tolerance: ±0.15mm

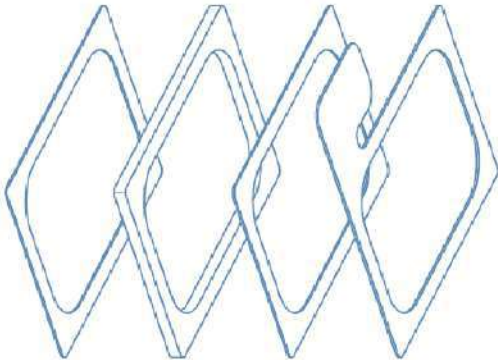


**CONSTRUCTION DETAIL**

6	Gasket	1	PORON	
5	Diaphragm	1	PEEK	
4	VOICE COIL	1	COPPER WIRE	
3	Plate	1	SPCC	
2	Magnet	3	NdFeB	
1	Frame	1	PPA	
The material must be meet to GU-001				
PART NO.	PART NAME	Q'TY	MATERIAL	REMARK

GASKET DRAWING

JD-0086-001

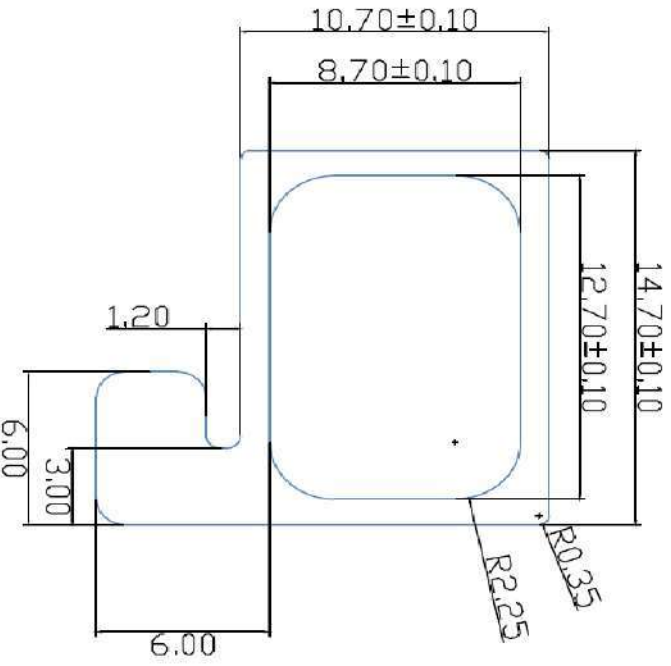


Pull-tab

Adhesive: 0.08mm

Foam: 0.53mm

Adhesive: 0.08mm



技术要求:

- 1. 单位mm, 未注公差为±0.05;
- 2. 双面不干胶粘贴性良好;
- 3. Foam: Poron 4790-92-25021-04P

旧版图号	
版图号	
日期	签名

更改标记	数量	更改单号	签名	日期
设计		程月霞		2018.09.03
审核				
批准				

GASKET11x15

未注公差尺寸按 GB/T1804-C级

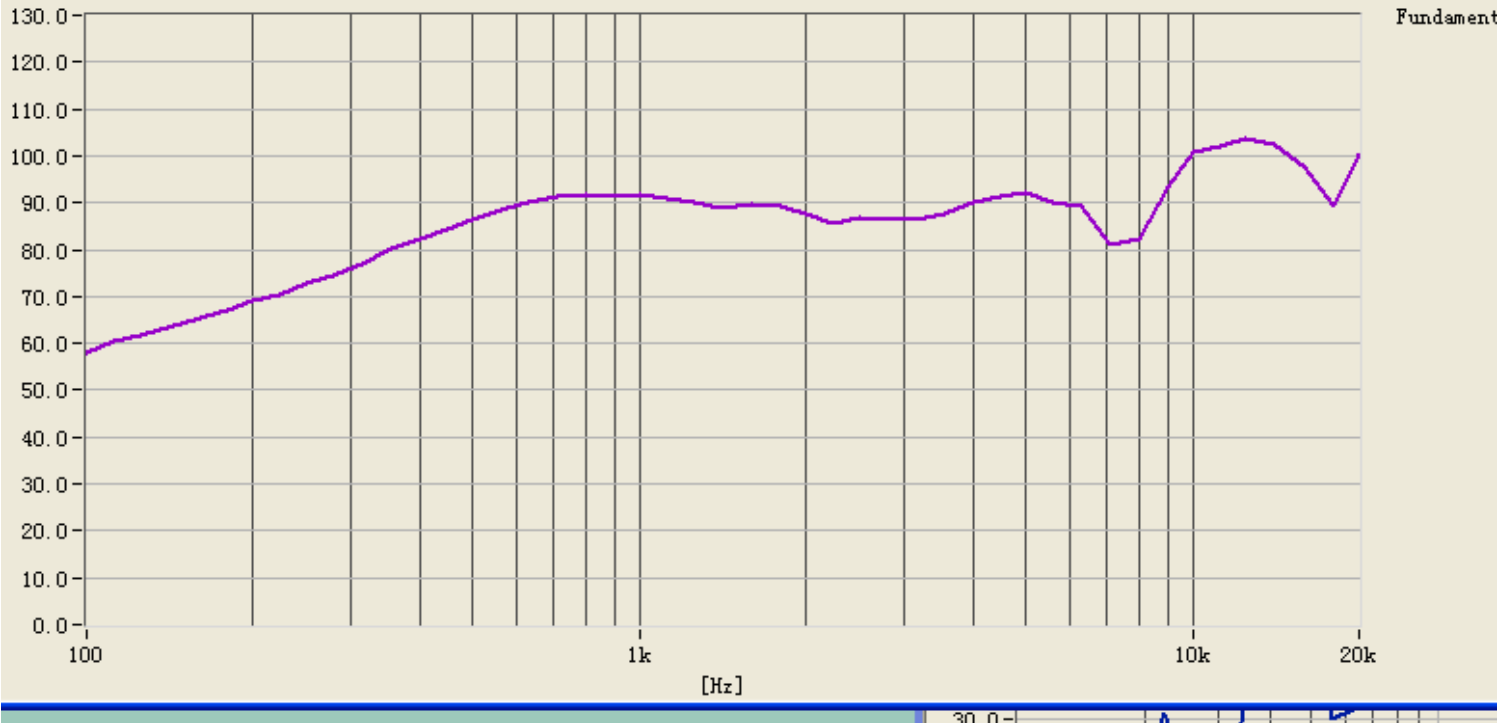
等级	标记	重量	比例

第 1 页 共 1 页

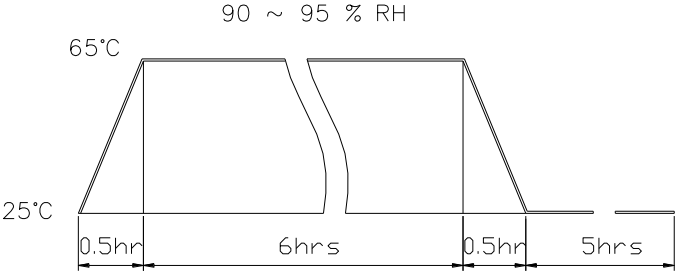
# RESPONSE CURVES

## Frequency Response Curve

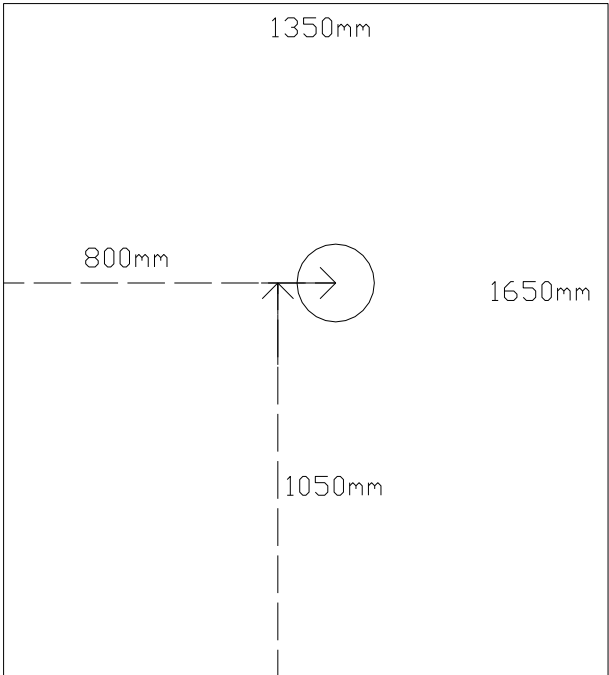
0.7W/0.1M in 1cc box



**RELIABILITY TEST**

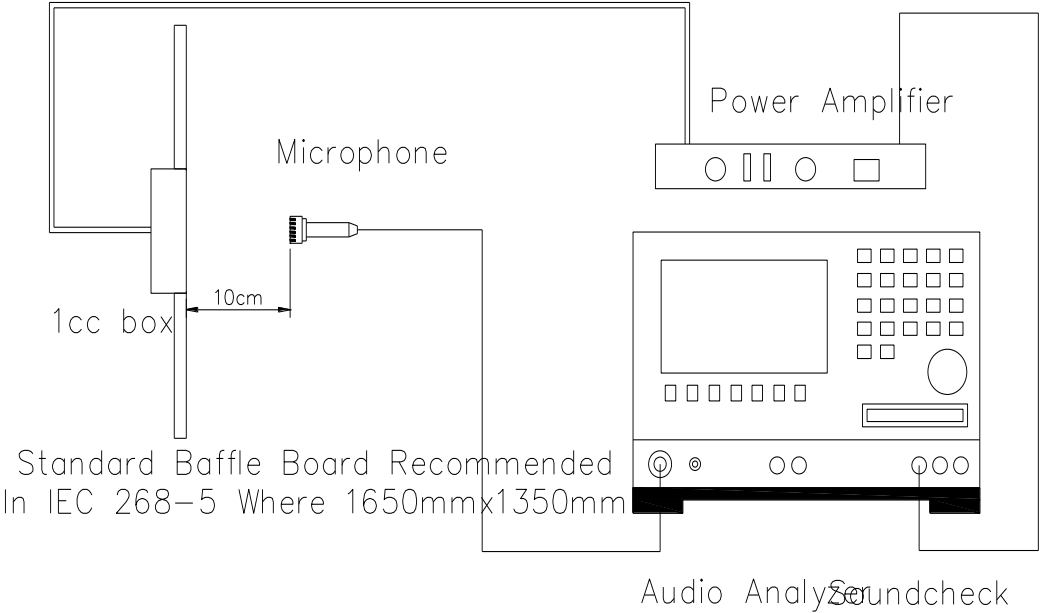
1	Reliability Test Performance	After any following test, parts should conform to original performance within $\pm 3$ dB tested with Rated Power, after 6 hours of recovery period.
2	High Temperature Test	96 hours at +80°C
3	Low Temperature Test	96 hours at -40°C
4	Humidity Test	96 hours at +30°C $\pm$ 3°C, 92-95% RH
5	Temp./Humidity Cycle	<p>The part shall be subjected 5 cycles. One cycle shall be 6 hours and consist of</p> 
6	Vibration Test	<p>Frequency: 10~55~10Hz Oct/min      Amplitude: 1.5mm          Duration: 2 hours each of 3 perpendicular directions</p>
7	Drop Test	Drop the speaker contained in normal box onto the surface of 40mm thick board 10 times from the height of 75cm
8	Operation Life Test	Must perform normal with program Pink-Noise source at Rated Power for 96 Hours
9	Termination Strength	Apply 3.0N(0.306kg) to each terminal in horizontal direction for 30 seconds; Apply 2.0N(0.204kg) to each terminal in vertical direction for 30 seconds;

**MEASURING METHOD**



**Fig. 1 Block Diagram for Measurement Method**

Standard test condition of speaker



**Fig. 2 Speaker Test Condition**

# PACKAGING

units: mm

每盘 100 个 100pcs of speaker in each tray

每箱 20 盘 20 trays in one carton

总计:2000 个 / 1 箱 Total:2000 pcs / 1 carton

毛重: 4.5KGS Gross Weight:4.5KGS

净重: 3.0KGS Net Weight: 3.0KGS

