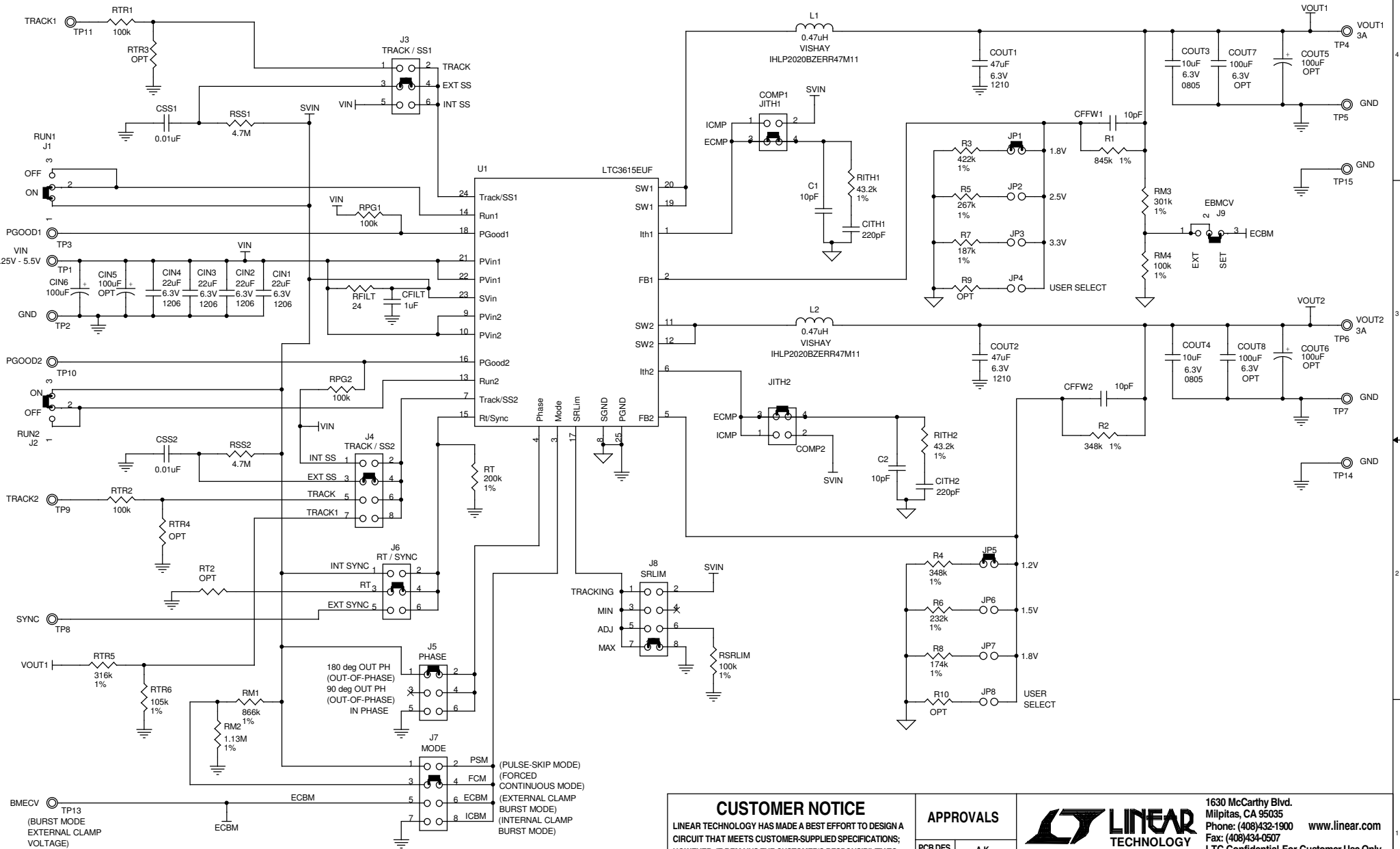


REVISION HISTORY

ECO	REV	DESCRIPTION	APPROVED	DATE
-	2	PRODUCTION	TOM G.	06-03-10



NOTE: UNLESS OTHERWISE SPECIFIED

- 1. ALL RESISTORS ARE IN OHMS, 0603.
- ALL CAPACITORS ARE IN MICROFARADS, 0603.

CUSTOMER NOTICE

LINEAR TECHNOLOGY HAS MADE A BEST EFFORT TO DESIGN A CIRCUIT THAT MEETS CUSTOMER-SUPPLIED SPECIFICATIONS; HOWEVER, IT REMAINS THE CUSTOMER'S RESPONSIBILITY TO VERIFY PROPER AND RELIABLE OPERATION IN THE ACTUAL APPLICATION. COMPONENT SUBSTITUTION AND PRINTED CIRCUIT BOARD LAYOUT MAY SIGNIFICANTLY AFFECT CIRCUIT PERFORMANCE OR RELIABILITY. CONTACT LINEAR TECHNOLOGY APPLICATIONS ENGINEERING FOR ASSISTANCE.

THIS CIRCUIT IS PROPRIETARY TO LINEAR TECHNOLOGY AND SUPPLIED FOR USE WITH LINEAR TECHNOLOGY PARTS.

APPROVALS

PCB DES.	A.K.
APP ENG.	TOM G.



1630 McCarthy Blvd.  
 Milpitas, CA 95035  
 Phone: (408)432-1900 www.linear.com  
 Fax: (408)434-0507  
 LTC Confidential-For Customer Use Only

TITLE: SCHEMATIC	
DUAL 3A MONOLITHIC SYNCHRONOUS STEP-DOWN REGULATOR	
SIZE	IC NO.
N/A	LTC3615EUFC
DEMO CIRCUIT 1435A	
DATE:	Thursday, June 03, 2010
SHEET 1	OF 1

SCALE = NONE