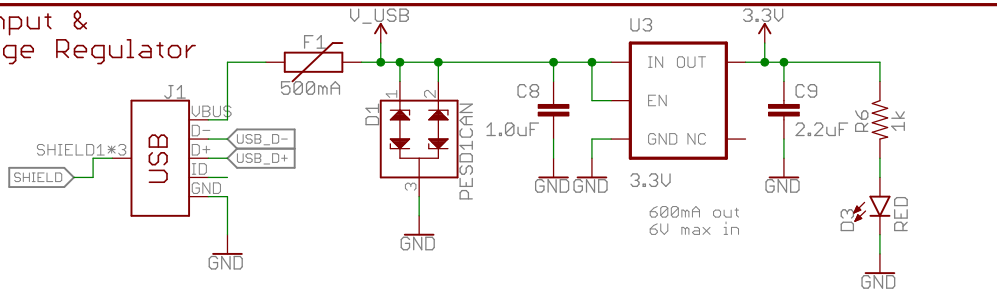
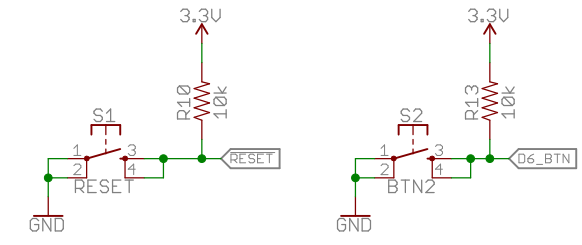


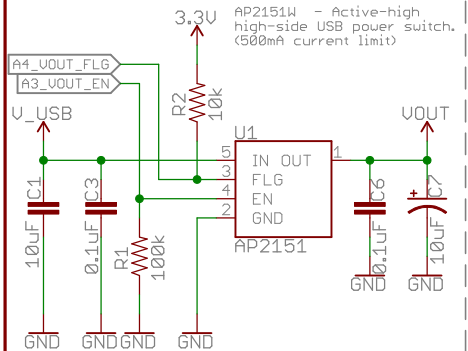
USB Input & Voltage Regulator



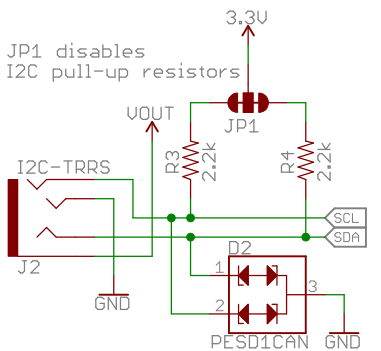
Buttons



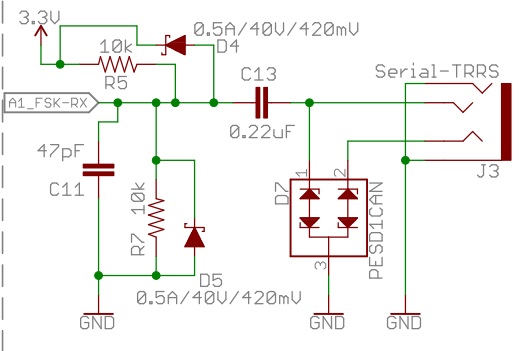
UOUT Control



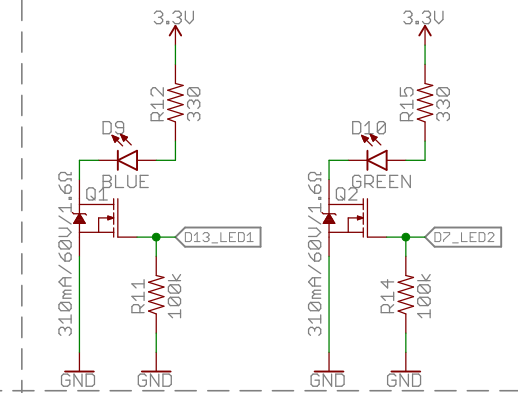
I2C Interface



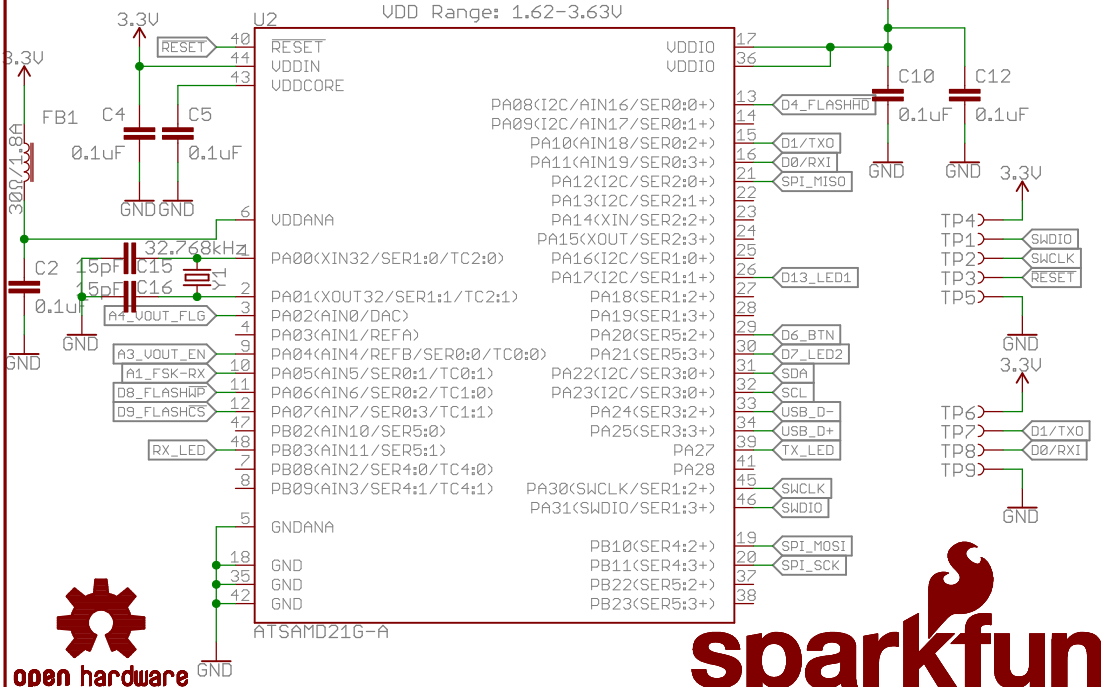
TRRS FSK Serial Interface



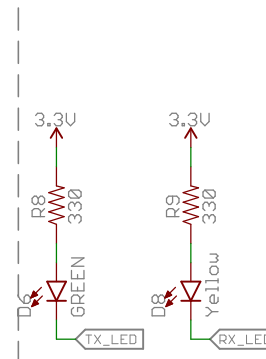
UI LED's



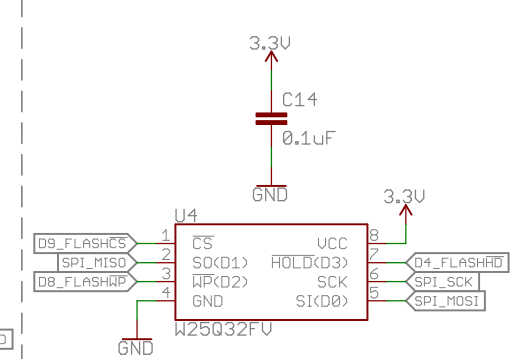
ATSAMD21G18A



RX/TX LED's



SPI Flash



Released under the Creative Commons Attribution Share-Alike 4.0 License
<https://creativecommons.org/licenses/by-sa/4.0/>

TITLE: Spectacle_Director_Board

Design by: Mike Hord
 Jim Lindblom

Date: 4/3/2017 9:11 AM

REV: v10

Sheet: 1/1