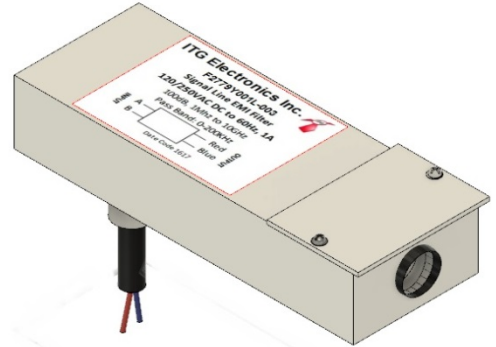


# F2779Y Series



## 1. Features :

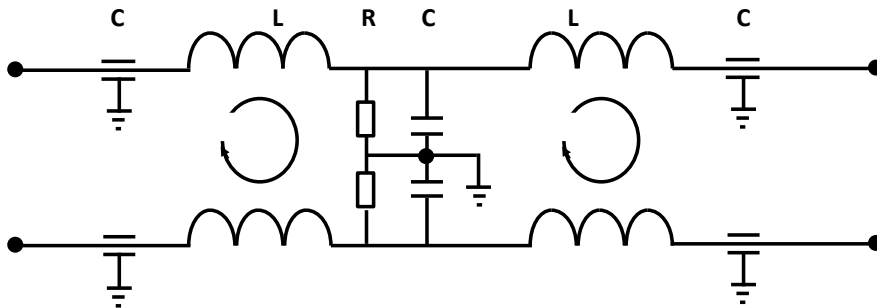
- MRI Room data line filters provide clean communication lines into MRI rooms. The filters are designed with minimum leakage current to ground and provide 100dB attenuation from 1MHz to 10GHz, Pass Band 0-200KHz.
- Voltage Rating: 120/250V
- Frequency: DC to 60Hz
- Hi-Pot: Line to Ground: 1000VDC for 2 sec  
Line to Line: VDC for 2 sec
- Ambient Temperature Range: -25°C To +85°C
- Filter components are encapsulated in a plated metal enclosure
- Leakage Current: 5mA @ 120VAC 60Hz
- The filters comply with UL and cUL construction requirements



## 2. Electrical Characteristics :

| ITG Part Number | Operating Current (A) at 60°C | Output terminal(AWG) |
|-----------------|-------------------------------|----------------------|
| F2779Y001L-003  | 1                             | M4                   |

## 3. Schematic:



# F2779Y Series



## 4. Mechanical Dimensions in mm, ±2mm:

| ITG Part Number | L   | W  | H  |
|-----------------|-----|----|----|
| F2779Y001L-003  | 155 | 70 | 45 |

