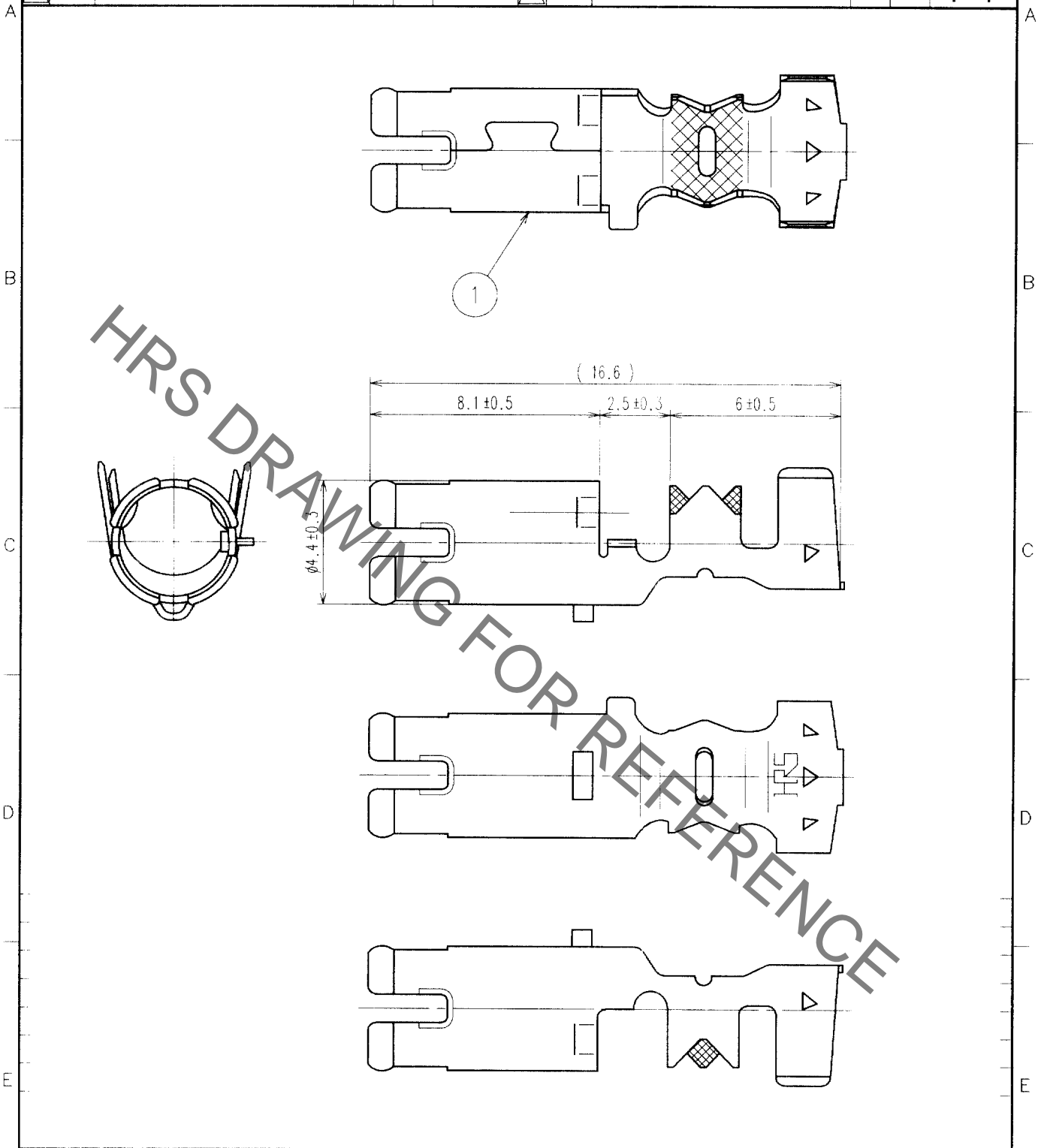


Aug.1.2019 Copyright 2019 HIROSE ELECTRIC CO., LTD. All Rights Reserved.
 In case of consideration for using Automotive equipment / device which demand high reliability, kindly contact our sales window correspondents.

1		2			3			4		
COUNT	DESCRIPTION OF REVISIONS	BY	CHKD	DATE	COUNT	DESCRIPTION OF REVISIONS	BY	CHKD	DATE	
△				..	△				..	
△					△				..	
△					△				..	



1	PHOSPHOR BRONZE	TIN PLATED , T=0.25			
NO.	MATERIAL	FINISH, REMARKS	NO.	MATERIAL	FINISH, REMARKS
CODE NO. (OLD)			DRAWN	DESIGNED	CHECKED
			T.SHISHIKURA	T.SHISHIKURA	N. Haru- bayashi
			'03 .8 .6	'03 .8 .6	'03.8.6
					APPROVED
					K. Aoto
					'03.3.1
					RELEASED
DRAWING NO. EDC4-165923			PART NO. GT16C-1.6-2.9PC		
HRS HIROSE ELECTRIC CO., LTD.			CODE NO. CL766-0019-8		

TO

