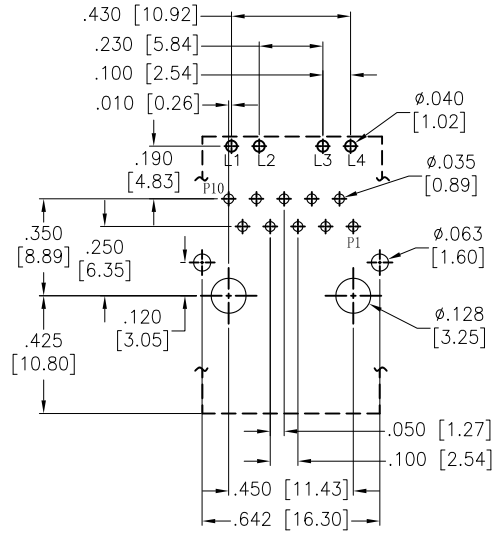
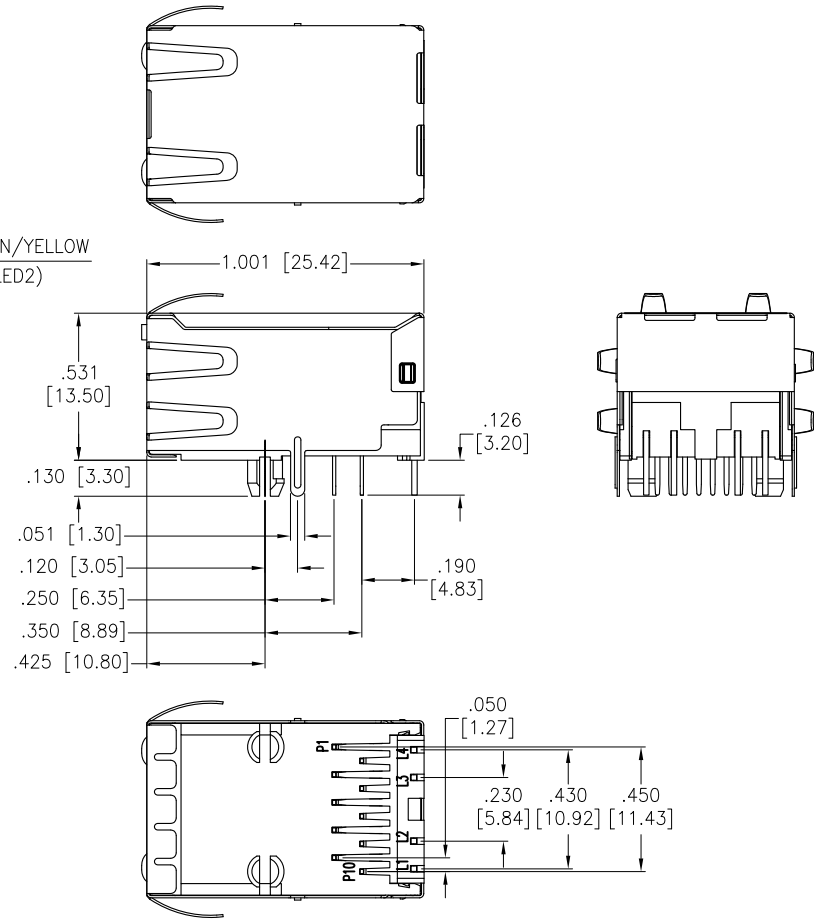
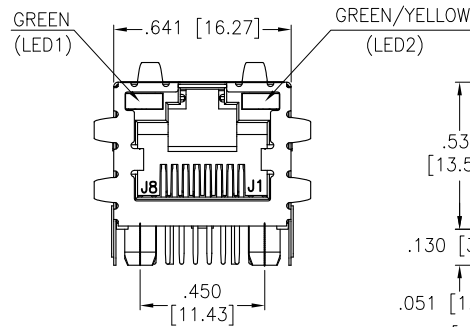


APPROVED: _____
 DATE: _____ TITLE: _____

Rev	AWO #	Description	Date	Appr
-		RELEASED	6/22/12	
A		REVISED SHAPE	9/18/13	AY/AL
B		ADDED DIM.	8/20/15	AY/SY
C		REVISED SHAPE	9/22/15	
D		UPDATED CONTACTS DIM.	4/26/19	AY/SL



RECOMMENDED PCB LAYOUT



SPECIFICATIONS:

Material:
 Insulator: Thermoplastic, rated UL 94V-0
 Insulator color: Black
 Contacts: Copper Alloy
 Shield: Stainless Steel, Pre-soldering
 Plating:
 Round contact
 Gold over Nickel underplate overall
 Flat contact
 Gold over Nickel underplate on contact area
 Tin over Nickel underplate on solder tails

Electrical:
 Insulation resistance: 500 Mohms min
 Dielectric withstanding voltage: 1500VAC or 2250VDC for 1 minute
 Temperature Rating:
 Operating temperature: -0°C to +70°C
 Environmental:
 Lead free, RoHS compliant.



UNLESS OTHERWISE SPECIFIED
 ALL DIMENSIONS ARE INCHES [MM]
 TOLERANCES: EXCEPT AS NOTED
 INCHES HOLES
 .X ± .10 Ø.X ± .10
 .XX ± .020 Ø.XX ± .015
 .XXX ± .015 Ø.XXX ± .010

APPROVALS		DATE
DRAWN	AY	6/22/12
CHECKED	AL	6/22/12
APPROVED		

ADAM TECH INTERCONNECTS
 909 Rahway Avenue,
 Union, NJ 07083
 Phone: 908-687-5000
 Fax: 908-687-5710

TITLE		
MODULAR TELEPHONE JACK, 1 PORT, 8P8C W/ LED1 GREEN, LED2 GREEN / YELLOW		
SIZE	PART NO.	REV.
X	MTJ-88SX1-FSD-PG-LV-M66D	D
REF:	S00101C	SCALE: NTS SHEET 1 OF 2

6 5 4 3 2 1

Rev	AWO #	Description	Date	Appr
SEE SHT 1 OF 2 FOR REVISION				

APPROVED: _____
 DATE: _____ TITLE: _____

ELECTRICAL CHARACTERISTICS :

- INSERTION LOSS :**
 - 1~100 MHz -1.0dB MAX.
- RETURN LOSS(LOAD 100Ω) :**
 - 1~30 MHz -18dB MIN
 - 30~60 MHz -16dB MIN
 - 60~80 MHz -12dB MIN
 - 80~100 MHz -10dB MIN
- COMMON MODE REJECTION**
 - 1~100 MHz -30dB MIN
- CROSS TALK**
 - 1~100 MHz -30dB MIN
- INDUCTANCE @ 100KHz, 0.1V, 8mA DC BIAS**
 - (P2-P3),(P4-P5),(P7-P8),(P9-P10) : 350 uH MIN
- DCR**
 - (J1-J2),(J3-J6),(J4-J5),(J7-J8) : 1.2 OMH MAX
- HI-POT TEST**
 - BOARD SIDE TO CABLE SIDE : 1500VAC 60S OR 2250VDC 60S
- TURNS RATION 100KHz**
 - (P2-P3) : (J1-J2) = 1:1 ±%5
 - (P4-P5) : (J3-J6) = 1:1 ±%5
 - (P7-P8) : (J4-J5) = 1:1 ±%5
 - (P9-P10) : (J7-J8) = 1:1 ±%5

UNLESS OTHERWISE SPECIFIED
 ALL DIMENSIONS ARE INCHES [MM]
 TOLERANCES: EXCEPT AS NOTED

INCHES		HOLES	
.X	± .10	Ø.X	± .10
.XX	± .020	Ø.XX	± .015
.XXX	± .015	Ø.XXX	± .010

APPROVALS		DATE
DRAWN	AY	6/22/12
CHECKED	AL	6/22/12
APPROVED		

ADAM TECH INTERCONNECTS 909 Rahway Avenue,
 Union, NJ 07083
 Phone: 908-687-5000
 Fax: 908-687-5710

TITLE: **MODULAR TELEPHONE JACK, 1 PORT, 8P8C W/ LED1 GREEN, LED2 GREEN / YELLOW**

SIZE	PART NO.	REV.
X	MTJ-88SX1-FSD-PG-LV-M66D	D

REF: S00101C SCALE: NTS SHEET 2 OF 2

6 5 4 3 2 1