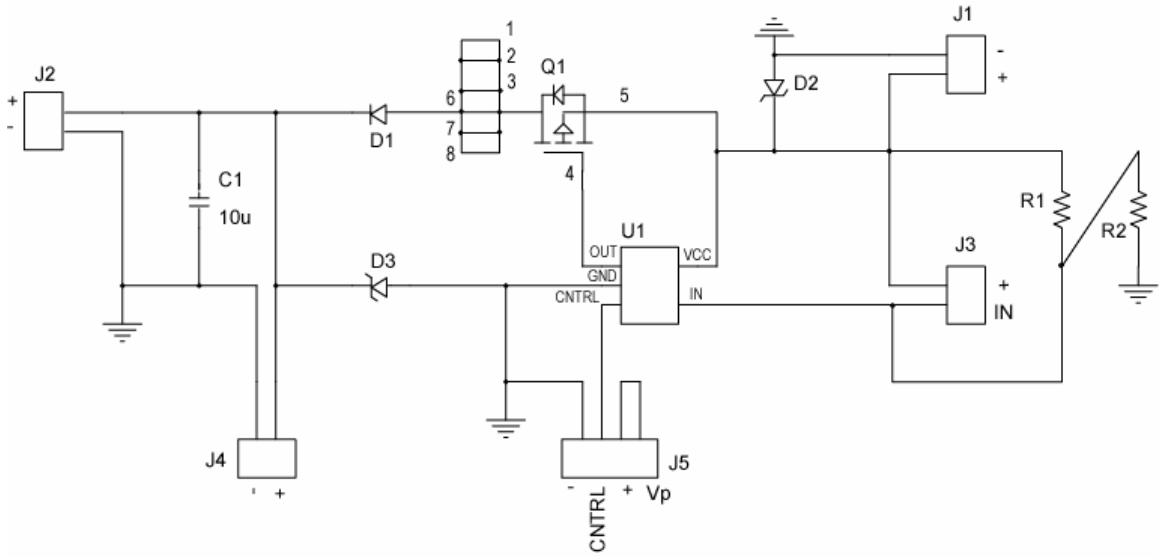


Schematic for the NCP345/6 Evaluation Board

8/27/03



- U1 = NCP345/6
- Q1 = NTHS4101P
- D1 = MBRM130L
- D2 = not placed
- D3 = not placed