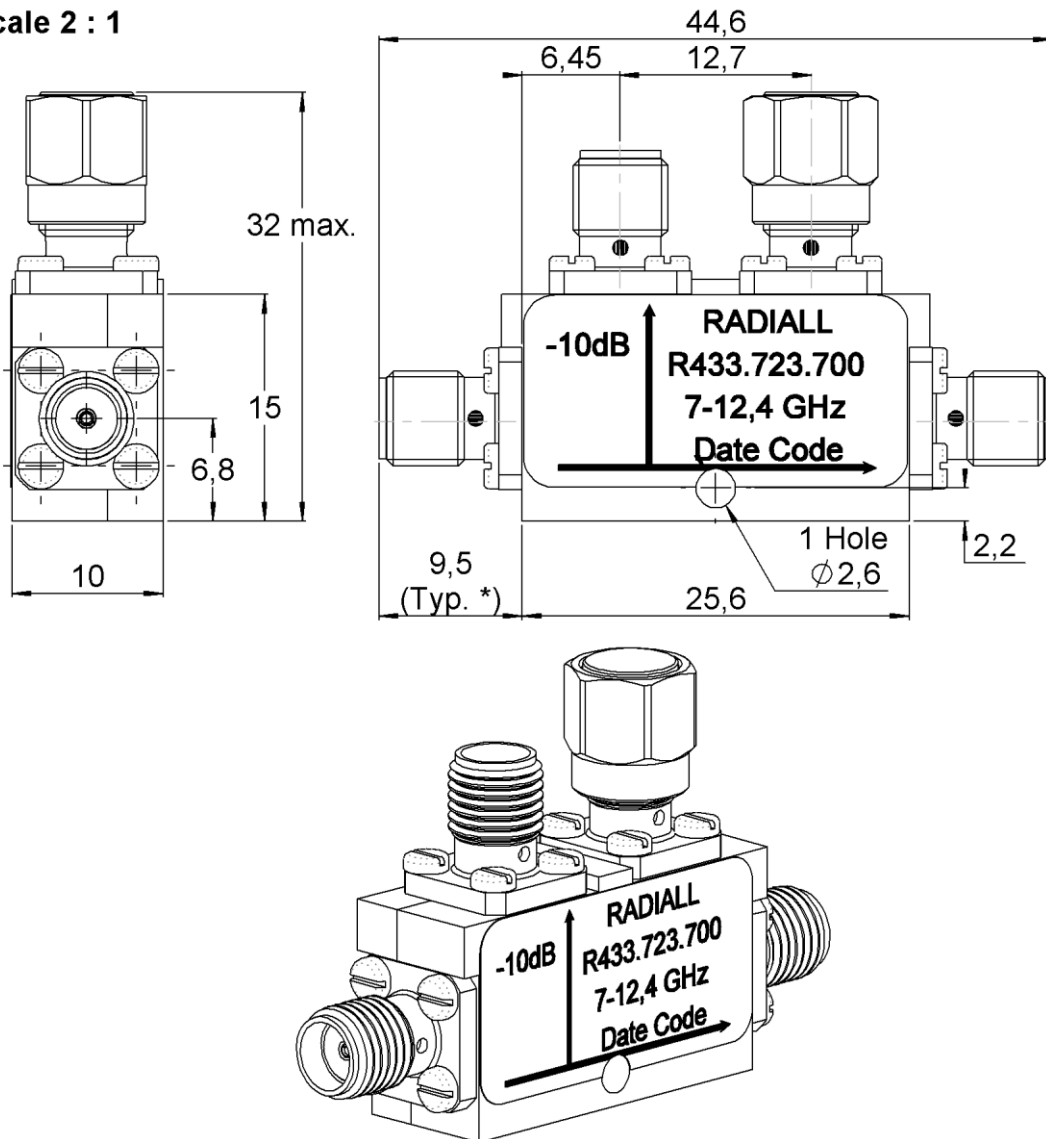


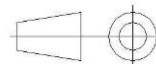
PAGE 1/2	ISSUE 09-12-19A	SERIES COUPLER	PART NUMBER R433723700
----------	-----------------	-------------------	------------------------

Scale 2 : 1



All dimensions are in mm. Tolerances according ISO 2768 m-H

Weight Specification **15,6800** g



## ELECTRICAL CHARACTERISTICS

Frequency operating range :	7 – 12.4 GHz
Impedance :	50 $\Omega$
VSWR : - Main Line	1.30 max.
- Coupled Line	1.30 max.
Nominal Coupling :	10 dB
Coupling Precision :	$\pm 1$ dB
Directivity :	16 dB mini
Insertion loss :	1 dB max.
Frequency Sensitivity :	$\pm 0.5$ dB
Average Power at 25°C	50W
Peak Power at 25°C	3000W

## MECHANICAL CHARACTERISTICS

Connector type :	SMA female per MIL-C 39012
Coaxial Termination :	SMA, 50 $\Omega$ , 1W

## ENVIRONMENTAL CHARACTERISTICS

Operating temperature :	-40°C / +100°C
Storage temperature :	-40°C / +100°C