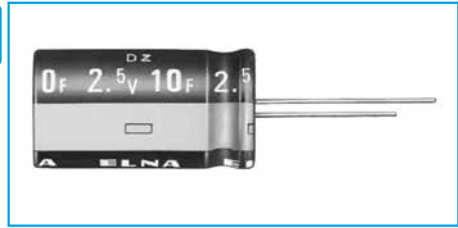
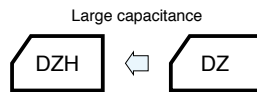


Standard, Large Capacitance Type Capacitors

GREEN CAP 60°C / 70°C 2.5V / 2.7V

- Pollution-Free ; with no pollutants such as Cd or Pb.
- Unlike batteries ; excellent charge and discharge characteristics with no chemical reactions



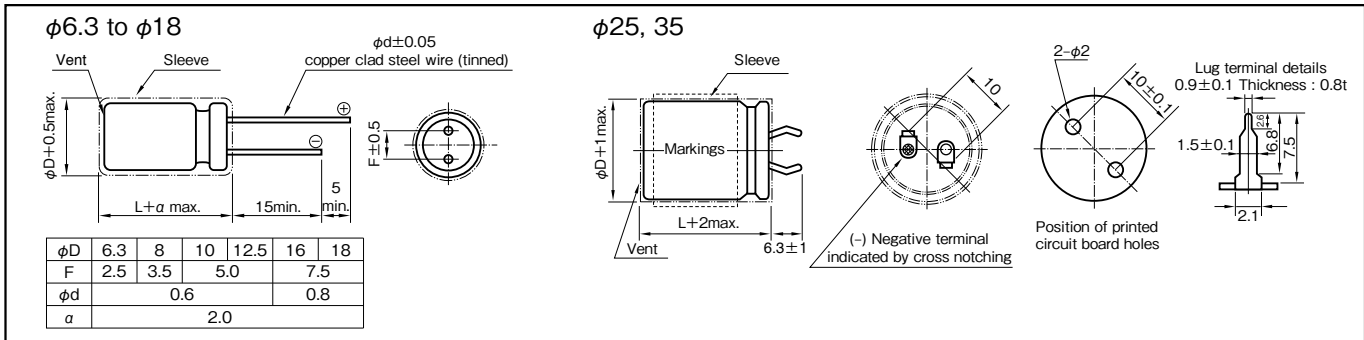
Marking color : White print on a black sleeve

Specifications

| Item | Performance | |
|---|---|---|
| Series name | Series DZ | Series DZH |
| Category temperature range (°C) | -25 to +70 | -25 to +60 |
| Tolerance at rated capacitance (%) | -20 to +80 | -20 to +80 |
| Internal resistance at 1kHz | Refer to the following page | |
| Characteristics at high and low temperature | Percentage of capacitance change | Within ±30% of the value at 20°C |
| | Internal resistance | Less than five times of the value at 20°C |
| Endurance | Test temperature | 70°C |
| | Test time | 1000 hours |
| | Percentage of capacitance change | Within ±30% of the initial measured value |
| | Internal resistance | Less than four times of the initial specified value |
| Shelf life | Same as endurance | |
| Applicable standards | Conforms to JIS C5160-1 2009 (IEC 62391-1 2006) | |

Outline Drawing

Unit : mm



Part numbering system (example : 2.5V10F)

| | | | | | | | |
|-------------|---|-------------------------------|---------------|--------------------------|---------------|---|-------------------------|
| DZ | — | 2R5 | D | 106 | (Z6)(S) | T | □ |
| Series code | | Max. operating voltage symbol | Terminal code | Rated capacitance symbol | Casing symbol | | Taping (Forming) symbol |

Part number is refer to the following page.

Standard Ratings (Series DZ 2.5V)

| Max. operating voltage (V) | Rated capacitance (F) | Max. Leakage Current (mA) after 24h | ELNA Parts No. | φD × L (mm) | Internal resistance (Ω max.) at 1kHz | Internal resistance (m Ω) at 1kHz (measurement value) |
|----------------------------|-----------------------|-------------------------------------|----------------|-------------|--------------------------------------|---|
| 2.5 | 1 | 0.1 | DZ-2R5D105F4T | 6.3 × 14 | 1.0 | 400 |
| 2.5 | 1 | 0.1 | DZ-2R5D105G3T | 8 × 12 | 1.0 | 200 |
| 2.5 | 2.7 | 0.2 | DZ-2R5D275G5ST | 8 × 20 | 0.5 | 150 |
| 2.5 | 3.3 | 0.2 | DZ-2R5D335H5T | 10 × 20 | 0.3 | 130 |
| 2.5 | 4.7 | 0.3 | DZ-2R5D475H5T | 10 × 20 | 0.2 | 80 |
| 2.5 | 5.6 | 0.3 | DZ-2R5D565H5T | 10 × 20 | 0.2 | 70 |
| 2.5 | 6.8 | 0.4 | DZ-2R5D685H6T | 10 × 25 | 0.2 | 60 |
| 2.5 | 10 | 0.5 | DZ-2R5D106H8T | 10 × 35 | 0.2 | 40 |
| 2.5 | 10 | 0.5 | DZ-2R5D106Z6ST | 12.5 × 25 | 0.2 | 40 |
| 2.5 | 15 | 0.7 | DZ-2R5D156Z8ST | 12.5 × 35 | 0.2 | 35 |
| 2.5 | 15 | 0.7 | DZ-2R5D156J5T | 16 × 20 | 0.2 | 35 |
| 2.5 | 22 | 0.8 | DZ-2R5D226J6T | 16 × 25 | 0.2 | 30 |
| 2.5 | 33 | 0.8 | DZ-2R5D336J8T | 16 × 35.5 | 0.2 | 30 |
| 2.5 | 40 | 0.8 | DZ-2R5D406K9T | 18 × 40 | 0.2 | 30 |
| 2.5 | 50 | 1.0 | DZ-2R5D506T | 25 × 40 | 0.08 | 20 |
| 2.5 | 100 | 1.0 | DZ-2R5D107S37T | 25 × 50 | 0.08 | 15 |
| 2.5 | 200 | 2.0 | DZ-2R5D207S57T | 35 × 50 | 0.08 | 15 |

We tailor packaged product in series and parallel arrangements according to voltage and capacitance as required.

Standard Ratings (Series DZ 2.7V)

| Max. operating voltage (V) | Rated capacitance (F) | Max. Leakage Current (mA) after 24h | ELNA Parts No. | φD × L (mm) | Internal resistance (Ω max.) at 1kHz | Internal resistance (m Ω) at 1kHz (measurement value) |
|----------------------------|-----------------------|-------------------------------------|----------------|-------------|--------------------------------------|---|
| 2.7 | 1 | 0.2 | DZ-2R7D105F4T | 6.3 × 14 | 1.0 | 400 |
| 2.7 | 1 | 0.2 | DZ-2R7D105G3T | 8 × 12 | 1.0 | 200 |
| 2.7 | 2.7 | 0.3 | DZ-2R7D275G5ST | 8 × 20 | 0.5 | 150 |
| 2.7 | 3.3 | 0.3 | DZ-2R7D335H5T | 10 × 20 | 0.3 | 130 |
| 2.7 | 4.7 | 0.4 | DZ-2R7D475H5T | 10 × 20 | 0.2 | 80 |
| 2.7 | 5.6 | 0.4 | DZ-2R7D565H5T | 10 × 20 | 0.2 | 70 |
| 2.7 | 6.8 | 0.5 | DZ-2R7D685H6T | 10 × 25 | 0.2 | 60 |
| 2.7 | 10 | 0.6 | DZ-2R7D106H8T | 10 × 35 | 0.2 | 40 |
| 2.7 | 10 | 0.6 | DZ-2R7D106Z6ST | 12.5 × 25 | 0.2 | 40 |
| 2.7 | 15 | 0.8 | DZ-2R7D156Z8ST | 12.5 × 35 | 0.2 | 35 |
| 2.7 | 15 | 0.8 | DZ-2R7D156J6T | 16 × 25 | 0.2 | 35 |
| 2.7 | 22 | 1.0 | DZ-2R7D226J7T | 16 × 31.5 | 0.2 | 30 |
| 2.7 | 33 | 1.0 | DZ-2R7D336J9T | 16 × 40 | 0.2 | 30 |

We tailor packaged product in series and parallel arrangements according to voltage and capacitance as required.

Standard Ratings (Series DZH 2.5V)

| Max. operating voltage (V) | Rated capacitance (F) | Max. Leakage Current (mA) after 24h | ELNA Parts No. | φD × L (mm) | Internal resistance (Ω max.) at 1kHz | Internal resistance (m Ω) at 1kHz (measurement value) |
|----------------------------|-----------------------|-------------------------------------|-----------------|-------------|--------------------------------------|---|
| 2.5 | 22 | 0.8 | DZH-2R5D226Z8ST | 12.5 × 35 | 0.2 | 55 |
| 2.5 | 50 | 1.0 | DZH-2R5D506K9T | 18 × 40 | 0.08 | 30 |
| 2.5 | 100 | 2.0 | DZH-2R5D107S35T | 25 × 40 | 0.08 | 20 |
| 2.5 | 300 | 5.0 | DZH-2R5D307S57T | 35 × 50 | 0.08 | 15 |

We tailor packaged product in series and parallel arrangements according to voltage and capacitance as required.