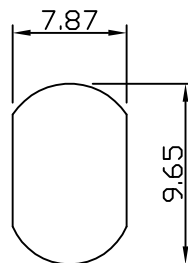
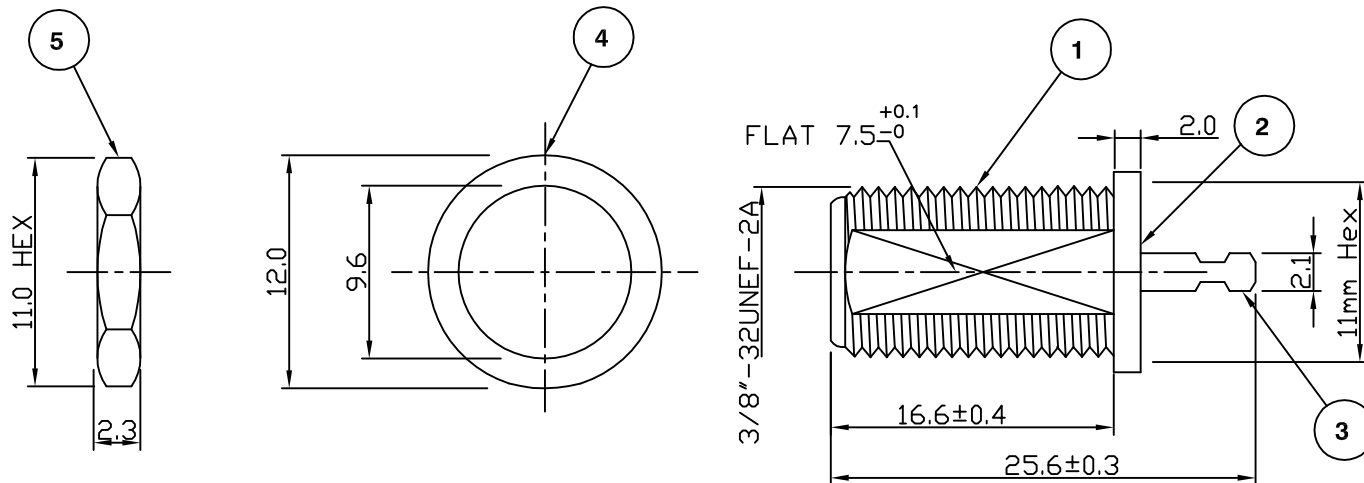


RoHS COMPLIANT



Panel Cutout

**Electrical Characteristics**

Nominal Impedance: 75 ohms  
 Frequency Range: DC to 2 GHz

**Mechanical Characteristics**

Mating Cycles: 200 cycles minimum

**Environmental Characteristics**

Temperature Range: -55 °C to +85 °C

PART	DESCRIPTION	
1	Body	Brass, nickel plated
2	Dielectric	Polypropylene
3	Contact	Phosphor Bronze, tin plated
4	Washer	Steel, nickel plated
5	Nut	Steel, nickel plated

**Panel cutout: PCD-7**

Update on Item-4	JT	3	03 June 10
CAD Issue	MT	2	20 Sept 05
First Issue	MT	1	20 Sept 05
DESCRIPTION OF REVISION	APPVD	ISS	DATE



Cinch Connectivity Solutions  
 7-13 Russel Way,  
 Widford Industrial Estate,  
 Chelmsford, Essex,  
 CM1 3AA, UK.  
 Tel: +44 (0) 1245 359515  
 Fax: +44 (0) 1245 358938

SCALE: Not To Scale

DIMENSIONS: mm

TOLERANCES:  
 ± 0.2mm unless  
 otherwise stated

DRAWN BY:

M Terry

CHECKED BY:

M Terry

APPROVED BY:

A Herbert

DATE:

20 Sept 05

TITLE:

F Panel Mount Jack (rear entry)

PART NUMBER:

**VF311**

PAGE: 1 of 1