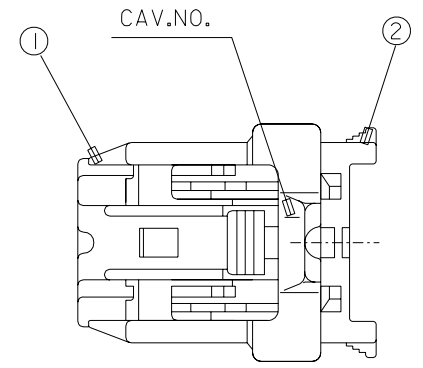
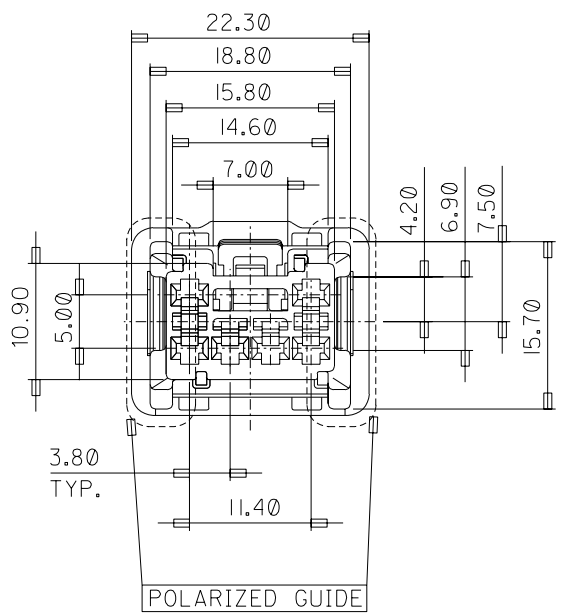
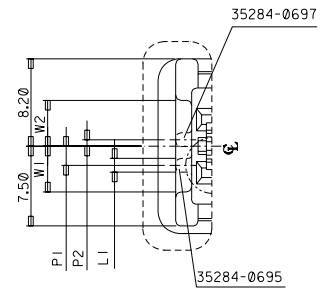


PROJECT NO. SIMILAR ITEM DWG. NO. SD-35284-001

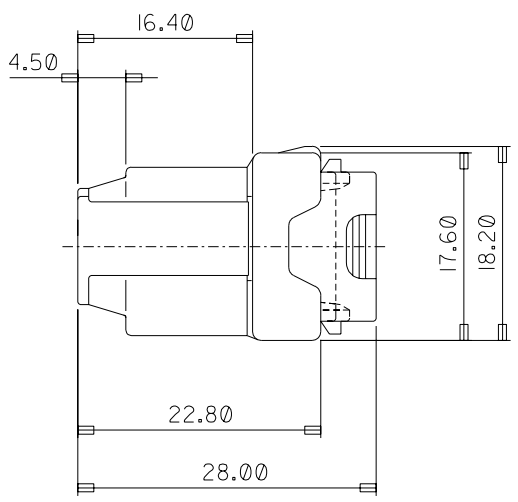
DO NOT SCALE DRAWING DIMENSION IN METRIC



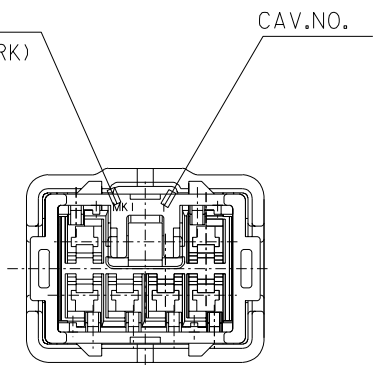
POLARIZED GUIDE RIBS



ENG. NO.	DIMENSIONS					COLOR
	L1	P1	P2	W1	W2	
35284-0610			(NO RIB)	4.20	2.70	NATURAL
35284-0615	1.30	1.80		4.30	4.30	GRAY
35284-0617	1.30		0.60	4.30	4.30	BROWN



MK I
(TRADE MARK)



	PART NO.	PART NAME	MATERIAL
①	35284-069*	UNICONN FEMALE HOUSING-6P	PBT,NATURAL
②	35285-0681	UNICONN FEMALE TPA-6P	PBT,BLACK

REVISED EC NO. KOR2003-0057 DRWN: S.M.KIM 03/07/11 CHKR: C.RHO APPR: J.LEE	QUALITY SYMBOLS MAJOR CRITICAL	GENERAL TOLERANCES: (UNLESS SPECIFIED)	SCALE 1:1	DESIGN UNITS <input checked="" type="checkbox"/> mm <input type="checkbox"/> INCH	DIMENSIONS: <input type="checkbox"/> mm <input type="checkbox"/> INCH <input checked="" type="checkbox"/> mm ONLY	SHT	REV
		4 PLACES ±0.10 ±. 3 PLACES ±0.10 ±. 2 PLACES ±0.10 ±. 1 PLACE ±0.30 ±.	DRAWN BY & DATE C.W.Y. YANG, 97/11/17	TITLE: UNICONN FEMALE ASS'Y-6P			
B	DESCRIPTION	ANGULAR: ±1.0°	CAD FILENAME SD2840610.DGN	MATERIAL NO. SEE TABLE	DRAWING NO. SD 35284-001	SHEET NO. 1/1	SIZE C
DRAFT WHERE APPLICABLE MUST REMAIN WITHIN DIMENSIONS		THIS DRAWING CONTAINS INFORMATION THAT IS PROPRIETARY TO MOLEX INCORPORATED AND SHOULD NOT BE USED WITHOUT WRITTEN PERMISSION.				MOLEX INCORPORATED	

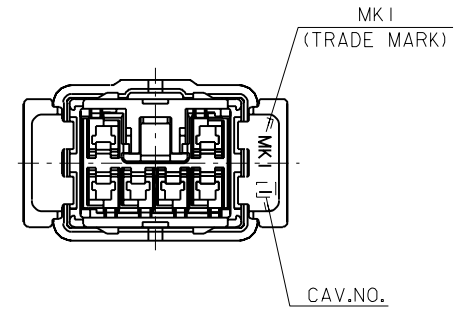
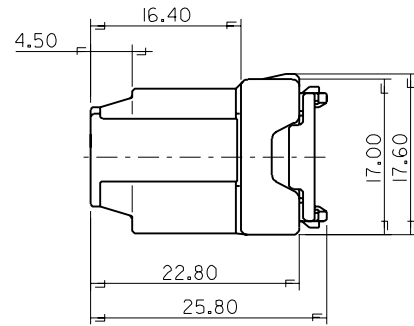
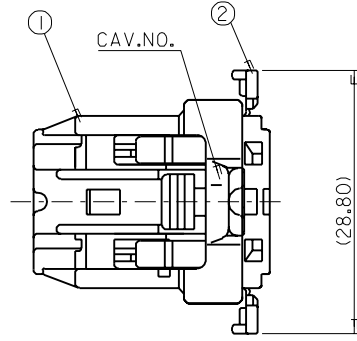
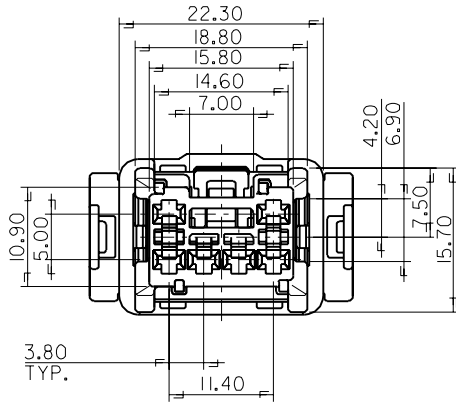
ENG. NO.

EDP NO.

SIMILAR ITEM

PROJECT NO.

8 7 6 5 4 3 2 1



	PART NO.	PART NAME	MATERIAL
①	35284-0690	.090 W/W FEMALE HOUSING-6P	PBT,NATURAL
②	35285-0681	.090 W/W FEMALE HSG TPA-6P	PBT,BLACK

				MATERIAL SEE TABLE		MOLEX-KOREA CO.,LTD.	
				GENERAL TOLERANCE DIMENSION : +0.30		DRAWN BY W.Y.YANG	
				ANGLE :		CHK'D BY	
				DIMENSION CLASSIFICATION		APP'D BY	
				▽ : CRITICAL ▼ : MAJOR		SCALE 2:1	
				() : REFERENCE		TITLE : UNICONN FEMALE ASS'Y-6P	
				ASS'Y PART DESCRIPTION ENG. NO.		SHEET 1/1	
A NEW RELEASE				KOR 87-0150	97.11.17	ENG. NO. SD 35284-0610	
LTR REVISION RECORD				ECN	DATE	REV A	
REVISE ONLY ON CAD SYSTEM							