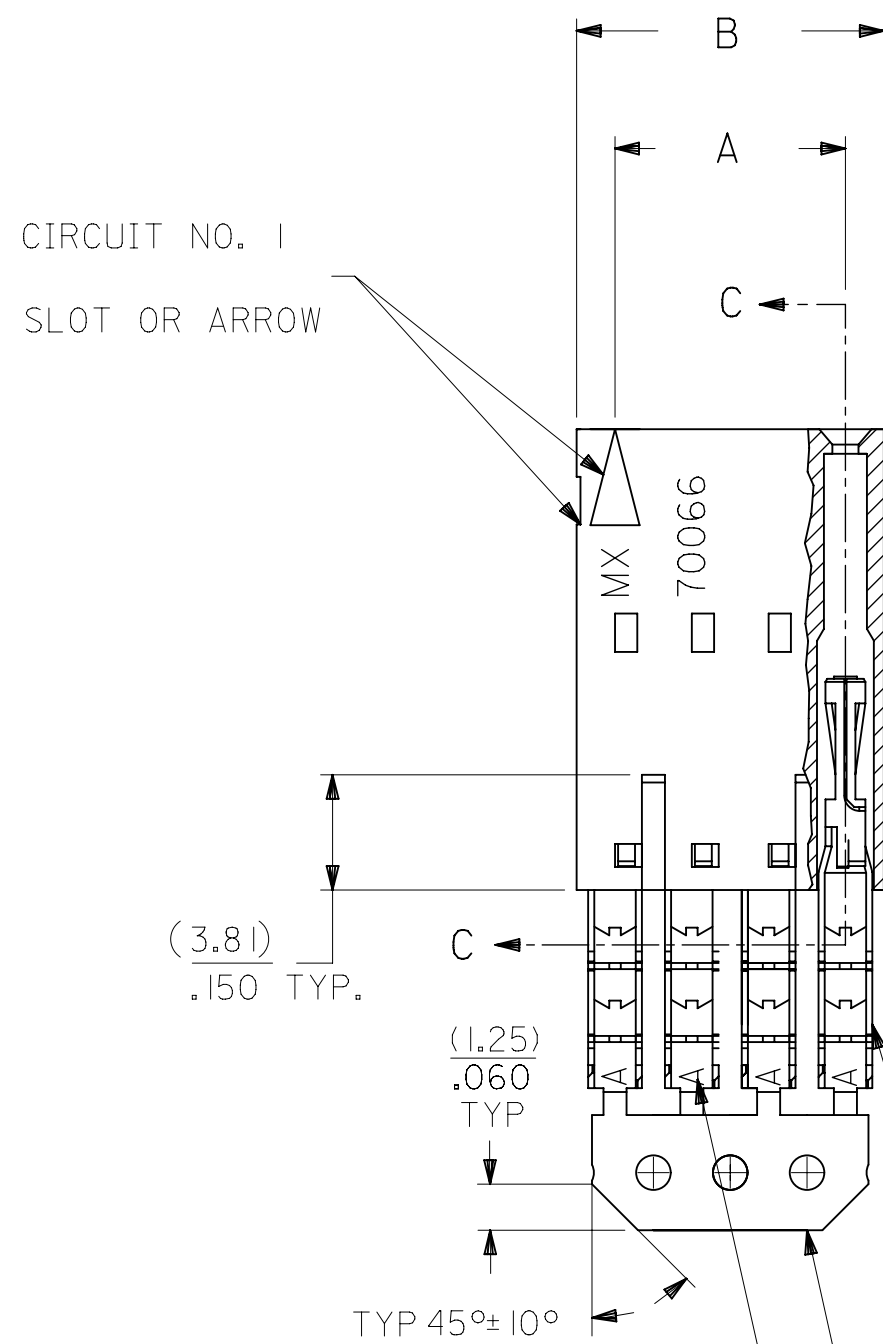
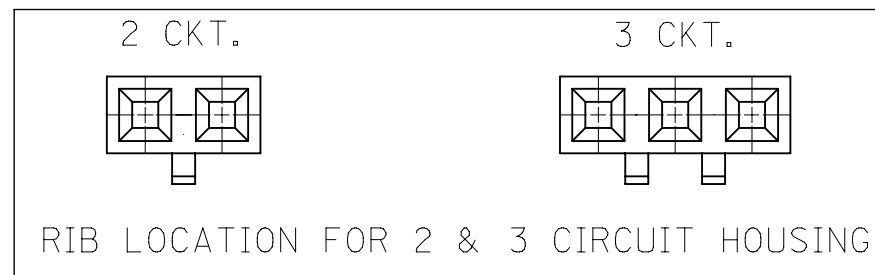
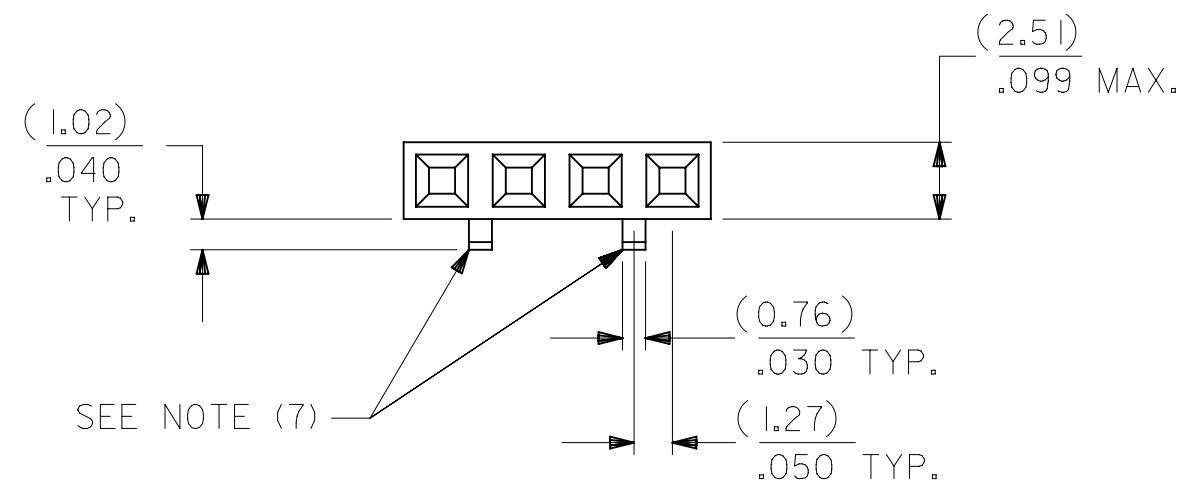


OPTION D

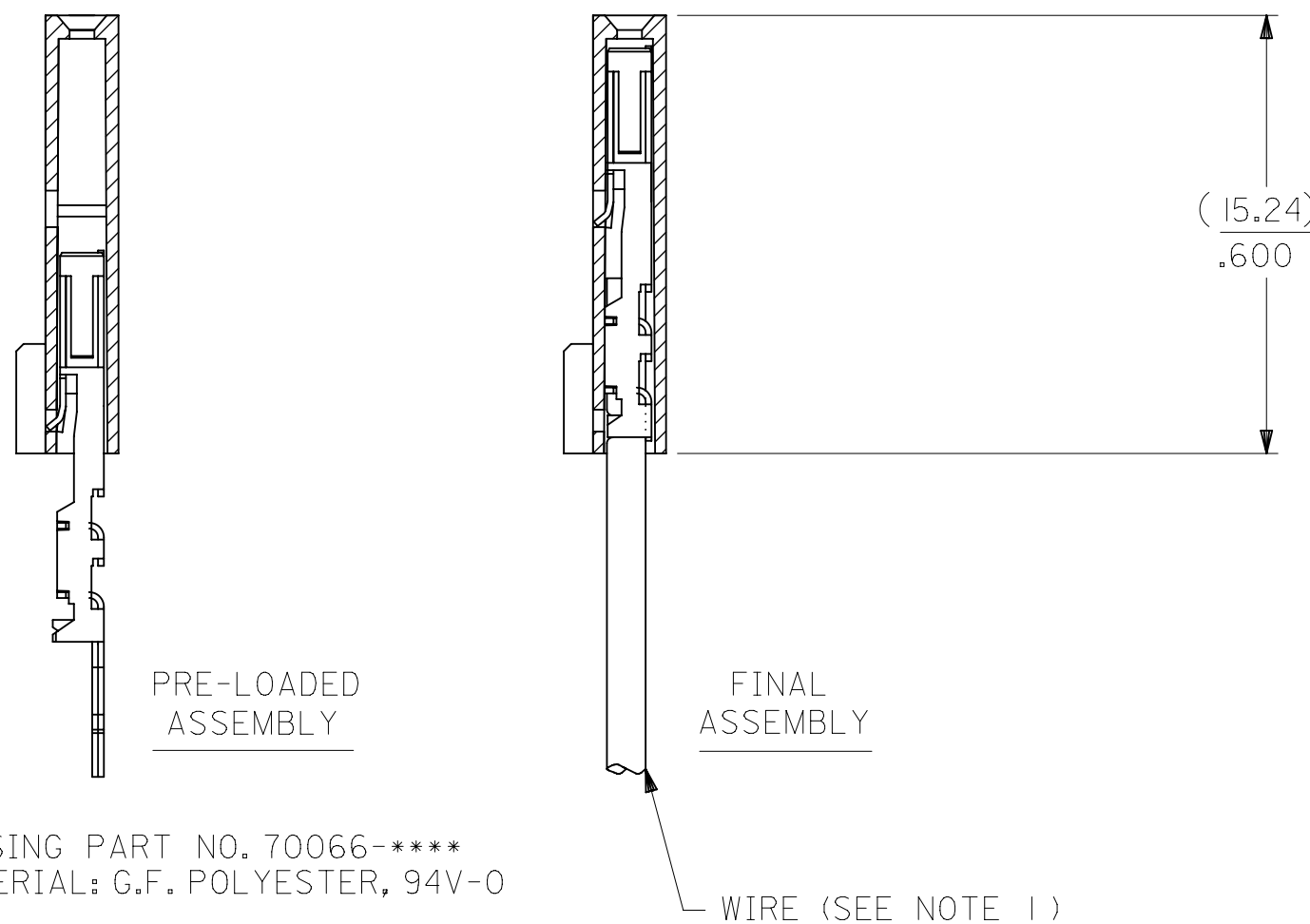
NOTES:

- 1) TO BE USED WITH (24) AWG. STRANDED WIRE WITH (1.35)/.053 DIA. MAX. INSULATION.
- 2) SEE CHART FOR CIRCUIT SIZES.
- 3) STANDARD PACKAGING PER PK-70873-0001. OPTIONAL PACKAGING MAY BE AVAILABLE, REQUEST DWG. PK-70400
- 4) PARTS STACKABLE END TO END ON (2.54)/.100 CENTERS.
- 5) REFER TO PRODUCT SPECIFICATION: PS-70400.
- 6) SEE DWG. SDA-70400-**** (SHT. 5) FOR OPTIONAL HOUSING DETAILS.
- 7) 4 CIRCUIT SHOWN. 3 - 25 CKT'S. HAVE (2) RIBS.
- 8) TO MATE WITH MOLEX PART NO'S.: 70004-****, 70013-****
- 9) 2 CIRCUIT ASSEMBLIES SUPPLIED AS GROUPED PAIRS.

CKT. SIZE	A	B	ITEM NUMBER
2	(2.54) .100	(5.05) .199	70400-3024
3	(5.08) .200	(7.59) .299	70400-3034
4	(7.62) .300	(10.13) .399	70400-3044
5	(10.16) .400	(12.67) .499	70400-3054
6	(12.70) .500	(15.21) .599	70400-3064
7	(15.24) .600	(17.75) .699	70400-3074
8	(17.78) .700	(20.29) .799	70400-3084
9	(20.32) .800	(22.83) .899	70400-3094
10	(22.86) .900	(25.37) .999	70400-3104
11	(25.54) 1.000	(27.91) 1.099	
12	(27.94) 1.100	(30.45) 1.199	70400-3124
13	(30.48) 1.200	(32.99) 1.299	70400-3134
14	(33.02) 1.300	(35.53) 1.399	
15	(35.56) 1.400	(38.07) 1.499	70400-3154
16	(38.01) 1.500	(40.61) 1.599	70400-3164
17	(40.64) 1.600	(43.15) 1.699	
18	(43.18) 1.700	(45.69) 1.799	70400-3184
19	(45.72) 1.800	(48.23) 1.899	
20	(48.26) 1.900	(50.77) 1.999	70400-3204
21	(50.80) 2.000	(53.31) 2.099	
23	(55.88) 2.200	(58.39) 2.299	
24	(58.42) 2.300	(60.93) 2.399	70400-3244
25	(60.96) 2.400	(63.47) 2.499	70400-3254



SECTION C-C



HOUSING PART NO. 70066-****
MATERIAL: G.F. POLYESTER, 94V-0

TERMINAL PART NO. 70028-****
MATERIAL: PHOSPHOR BRONZE
PLATING PER ES-88-****

I.D. SLOT CODE TO WIRE GAUGE CHART	
I.D. SLOT CODE	WIRE GAUGE
A	24 AWG.

PLATING CODE (STRIPE ON CARRIER STRIP)	
PLATING	COLOR
15 GOLD	YELLOW

15 GOLD - .000015 MIN. GOLD IN SELECT AREA WITH
.000075 MIN. TIN
IN SELECT AREA OVER .000050 MIN. NICKEL
OVER-ALL.

THIS DRAWING CONTAINS INFORMATION THAT IS PROPRIETARY TO MOLEX ELECTRONIC TECHNOLOGIES, LLC AND SHOULD NOT BE USED WITHOUT WRITTEN PERMISSION

DIMENSION UNITS MM/IN	SCALE 4:1	CURRENT REV DESC: REMOVED OBSOLETE PART NUMBER AS PER PCN#512063.	molex			
GENERAL TOLERANCES (UNLESS SPECIFIED)		EC NO: 713759				ASSEMBLY, SL CONNECTOR SINGLE ROW (2.54)/.100 GRID
4 PLACES ±	±	DRWN: SANTHN	2022/07/01			
3 PLACES ±	± 0.01	CHK'D: GB	2022/10/07			
2 PLACES ±	0.25 ± 0.014	APPR: GB	2022/10/07			
1 PLACE ±	0.35 ±	INITIAL REVISION:		PRODUCT CUSTOMER DRAWING		
0 PLACES ±	±	DRWN: M I BARRA	2005/10/27	DOCUMENT NUMBER		
ANGULAR TOL ± 0.5 °		APPR: SMILLER	2005/10/27	SD-70400-004		
DRAFT WHERE APPLICABLE MUST REMAIN WITHIN DIMENSIONS	THIRD ANGLE PROJECTION	DRAWING	SERIES	MATERIAL NUMBER	CUSTOMER	SHEET NUMBER
		C-SIZE	70400	SEE TABLE	GENERAL MARKET	1 OF 1