

MATERIALS AND FINISHES:

HOUSING: ZINC ALLOY / PLATED SEE TABLE

CENTER CONTACT: BRASS / PLATED GOLD

INSULATOR: TEFLON

OUTER CONTACT: BERYLLIUM COPPER / PLATED SEE TABLE

FERRULE: BRASS / PLATED SEE TABLE

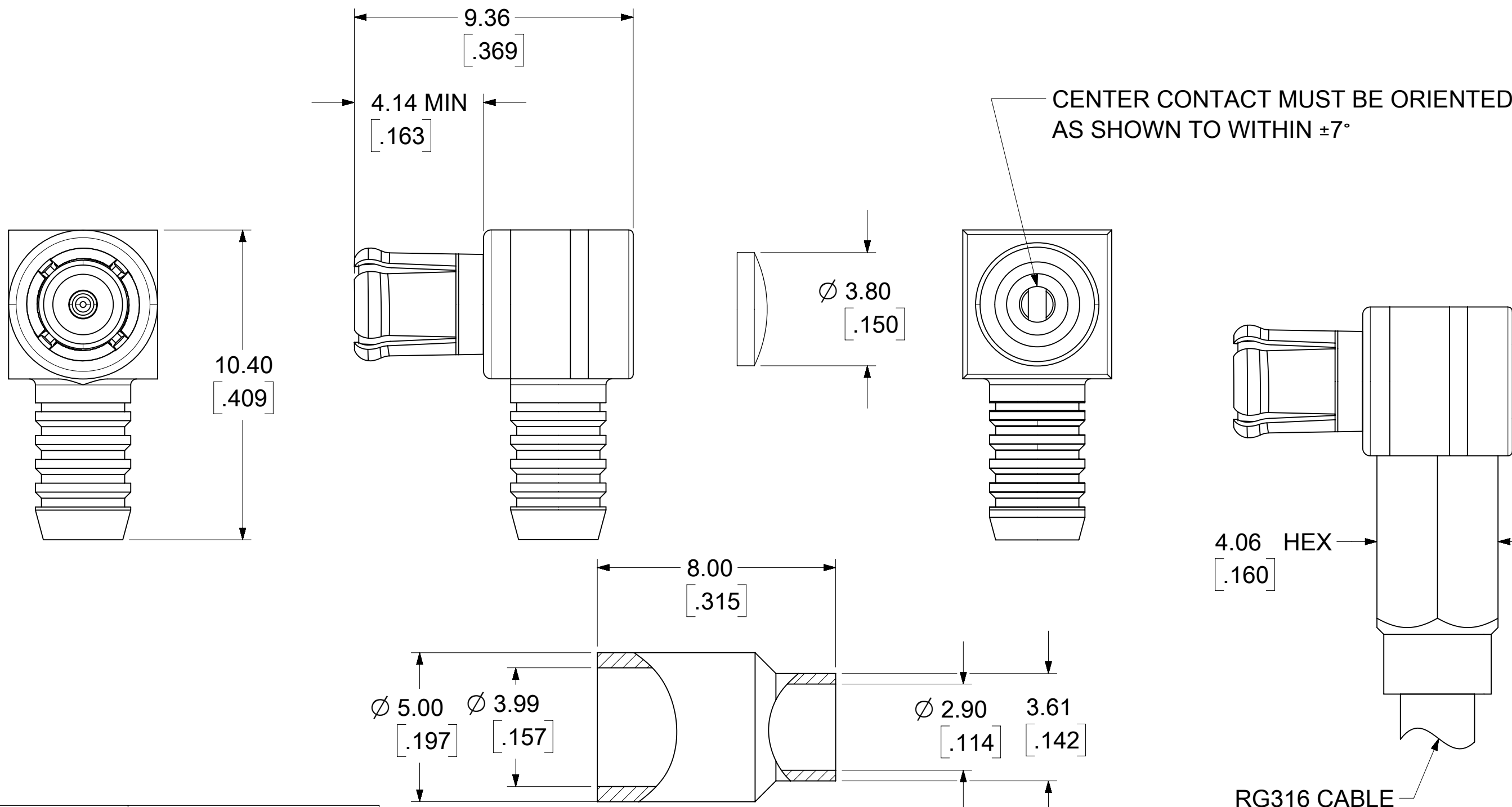
CAP: STAINLESS STEEL (FOR 73366-0010/-0019)
PASSIVATED

CAP: BRASS (FOR 73366-0011/-0012/-0017/-6350)
PLATED GOLD

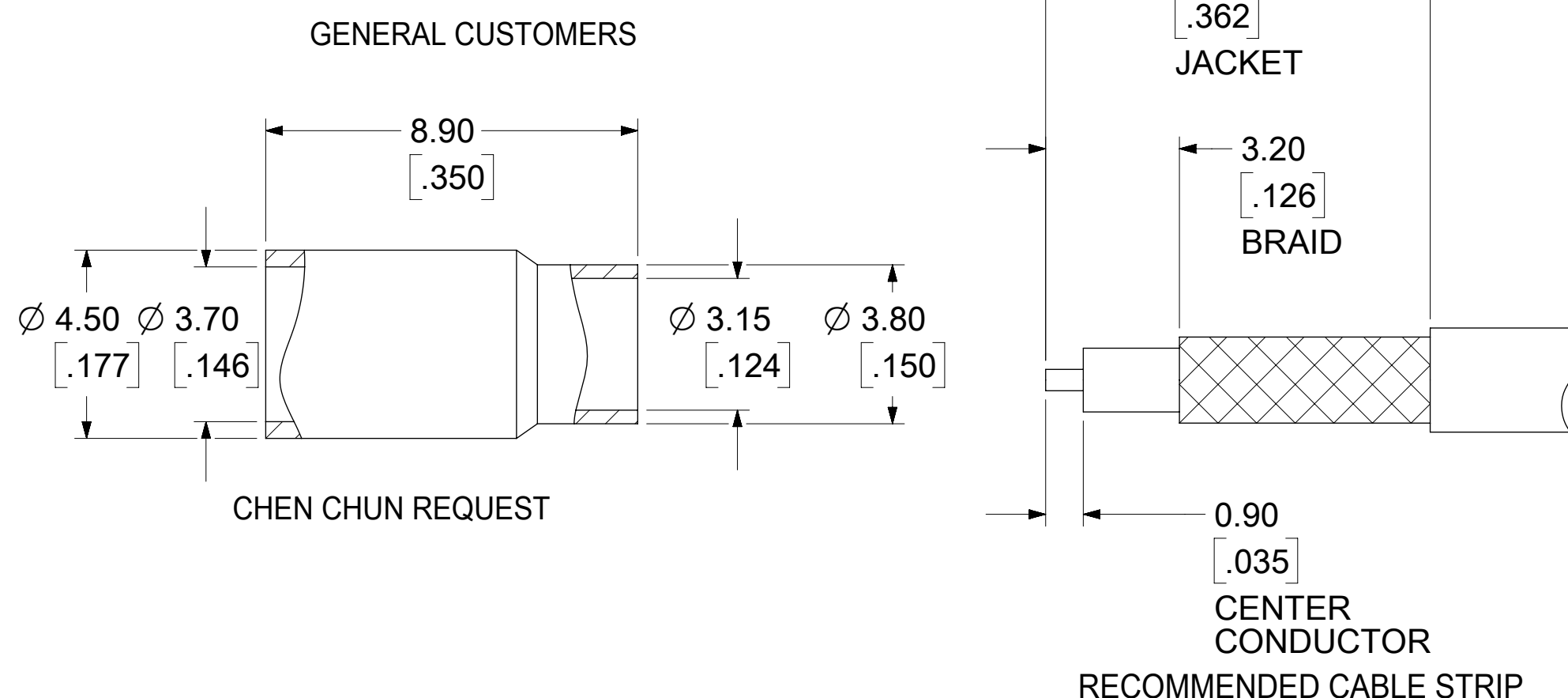
NOTE:

73366-0011'S FERRULE FOR GENERAL CUSTOMERS

73366-0012'S FERRULE FOR CHEN CHUN REQUEST



73366-6350	GOLD PLATING, BULK PACK	GOLD 30μ-in	GOLD 30μ-in
73366-0019	NICKEL PLATING, BULK PACK	NICKEL 100μ-in	GOLD 10μ-in
73366-0018	BULK, 73366-0010 W/O FERRULE	GOLD 5μ-in	GOLD 10μ-in
73366-0017	GOLD PLATING, BULK PACK	GOLD 5μ-in	GOLD 10μ-in
73366-0016	73366-0012, SMALL TRAY	GOLD 5μ-in	GOLD 10μ-in
73366-0015	73366-0011, SMALL TRAY	GOLD 5μ-in	GOLD 10μ-in
73366-0014	73366-0010, SMALL TRAY	GOLD 5μ-in	GOLD 10μ-in
73366-0013	1 PIECE 73366-0010 PER BAG	GOLD 5μ-in	GOLD 10μ-in
73366-0012	GOLD PLATING, BULK PACK	GOLD 5μ-in	GOLD 10μ-in
73366-0011	GOLD PLATING, BULK PACK	GOLD 5μ-in	GOLD 10μ-in
73366-0010	NICKEL PLATING, BULK PACK	GOLD 5μ-in	GOLD 10μ-in
PART NO.	BODY PLATING & PACKAGING	OUTER CONTACT	CENTER CONTACT



73392-0050	ASSEMBLY INSTRUCTIONS FOR 73366-0010/0011
PS-89675-1830	PRODUCT SPECIFICATION
SPECIFICATION	DESCRIPTION

FUNCTIONAL SYMBOLS		THIS DRAWING CONTAINS INFORMATION THAT IS PROPRIETARY TO MOLEX ELECTRONIC TECHNOLOGIES, LLC AND SHOULD NOT BE USED WITHOUT WRITTEN PERMISSION			
FA = 0	HYBRID	SCALE	NTS		
FC = 0	GENERAL TOLERANCES (UNLESS SPECIFIED)		EC NO: 706398		2022/05/11
FP = 0	ANGULAR TOL ± 2.0°		DRWN: CWEI02		2022/05/17
DIVISIONAL SYMBOLS		4 PLACES ±		CHK'D: YCHENG	
		3 PLACES ±		APPR: YCHENG	
		2 PLACES ±		INITIAL REVISION:	
		1 PLACE ±		DRWN: YCHENG	
		0 PLACES ±		APPR: MISEN	
DRAFT WHERE APPLICABLE MUST REMAIN WITHIN DIMENSIONS		THIRD ANGLE PROJECTION	DRAWING	SERIES	MATERIAL NUMBER
			C-SIZE	73366	SEE TABLE
				CUSTOMER	SHEET NUMBER
				GENERAL MARKET	1 OF 1