
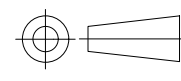


THIS DRAWING IS UNPUBLISHED. RELEASED FOR PUBLICATION
 © COPYRIGHT - TE Connectivity Ltd. ALL RIGHTS RESERVED.

REVISIONS					
P	LTR	DESCRIPTION	DATE	DWN	APVD
B		REVISED PER ECO-19-008199	28JAN2020	VM	SH

	49	68.85	84.15	78.25	67.23	62.23	0.1μ	100	1-5179717-9
OBSOLETE	39	56.15	71.45	65.55	54.53	49.53	0.1μ	80	1-5179717-0
	N	E	D	C	B	A	Au PL.	POS.	PART NO.

THIS DRAWING IS A CONTROLLED DOCUMENT.		DWN VM	28JAN2020	 TE Connectivity	
DIMENSIONS: INCHES		CHK W JOSH	28JAN2020		
		APVD S HEAN	28JAN2020		
TOLERANCES UNLESS OTHERWISE SPECIFIED: 0 PLC ± 0.3 1 PLC ± 0.3 2 PLC ± 0.3 3 PLC ± 0.3 4 PLC ± 0.3 ANGLES ± 3°		PRODUCT SPEC -	APPLICATION SPEC -		
MATERIAL -	FINISH -	WEIGHT -	NAME S HEAN	SIZE A2	CAGE CODE 00779
CUSTOMER DRAWING			DRAWING NO C-5179717	RESTRICTED TO -	
			SCALE 1:1	SHEET 1 of 1	REV B

5179717