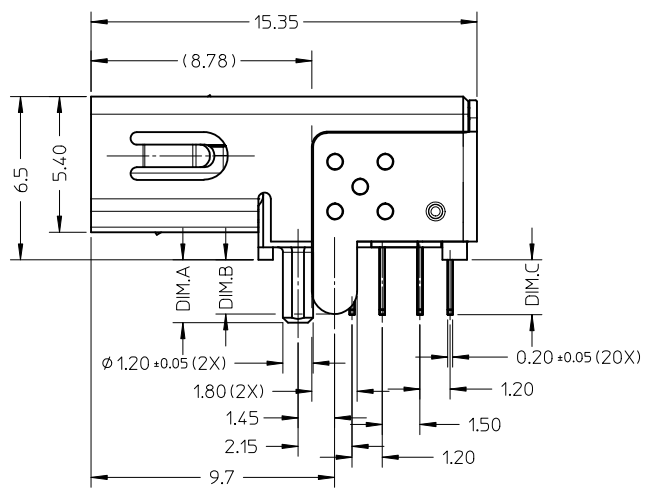
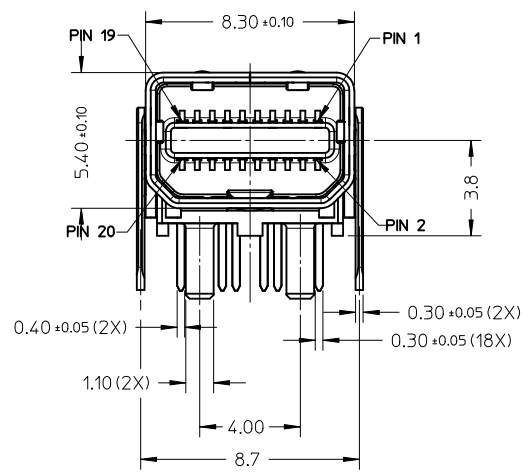


NOTES:

1. MATERIAL:
 - 1.1. PLASTIC: NYLON PA46, UL94V-2.
COLOR: BLACK. HALOGEN FREE.
 - 1.2. INSERT MOLDING: LCP, UL94V-0.
 - 1.3. TERMINAL: COPPER ALLOY.
 - 1.4. SHIELD SHELL: STAINLESS STEEL.
2. PLATING:
 - 2.1. TERMINAL:
 - 2.1.1. UNDERPLATING: NICKEL 1.30 MICROMETER MIN.
 - 2.1.2. CONTACT AREA: GOLD 0.76 MICROMETER MIN.
 - 2.1.3. SOLDER AREA: MATTE TIN 2.50 MICROMETER MIN.
 - 2.2. METAL SHELL:
 - SOLDERABLE NICKEL 1.30 MICROMETER MIN.
3. PRODUCT SPECIFICATION: PS-105081-001.
4. PACKAGING SPECIFICATION ACCORDING TO SPECIFIED P/N.
5. THIS PRODUCT COMPLIANT TO RoHS DIRECTIVE 2002/95/EC, AND ELV DIRECTIVE 2000/53/EC.
6. RECOMMENDED APPLIED PWB THICKNESS SEE TABLE.



105081-3001	2.0	1.8	1.8	1.20±0.10	WITHOUT	PK-105081-002 (TAPE & REEL)
105081-2001	2.5	2.2	2.2	1.60±0.10		
105081-1001	2.0	1.8	1.8	1.20±0.10		
105081-0001	2.5	2.2	2.2	1.60±0.10	WITH	PK-105081-001 (TRAY)
105081-5001						
PART NUMBER	DIM.A	DIM.B	DIM.C	PWB THICK.	COVER	PACKAGING SPEC.

REVISED
 EC NO: SH2010-0117
 2010/03/31
 DRW:KWEI
 2010/03/31
 CHK:DZHANG
 2010/08/11
 APPR:RZHANG

QUALITY SYMBOLS
 $F_A=0$
 $F_B=0$
 $F_C=0$

GENERAL TOLERANCES (UNLESS SPECIFIED)

	mm	INCH
4 PLACES	± ---	± ---
3 PLACES	± ---	± ---
2 PLACES	± 0.25	± ---
1 PLACE	± 0.30	± ---
ANGULAR ± ---°		

DRAFT WHERE APPLICABLE
 MUST REMAIN
 WITHIN DIMENSIONS

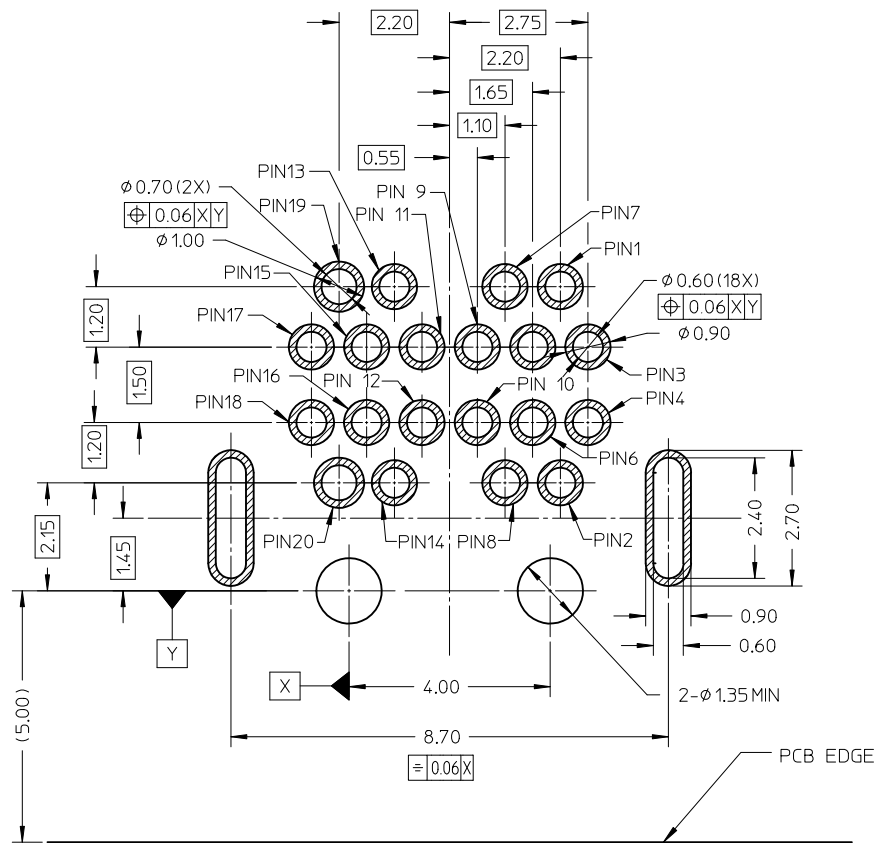
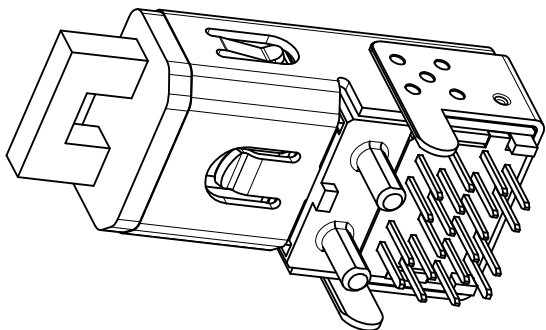
DIMENSION STYLE
MM ONLY

DRAWN BY	DATE
KLAUS WEI	2008/10/06
CHECKED BY	DATE
ROST ZHANG	2008/10/06
APPROVED BY	DATE
HARVEY WANG	2008/10/06

MATERIAL NO.
105081-001

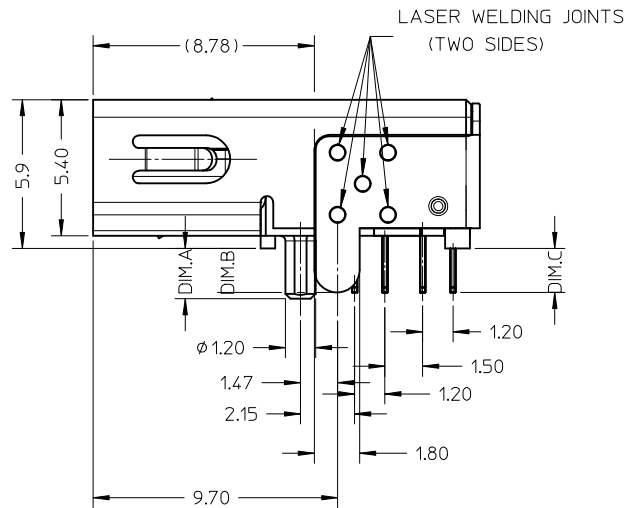
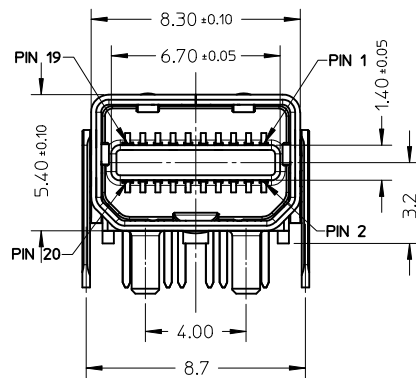
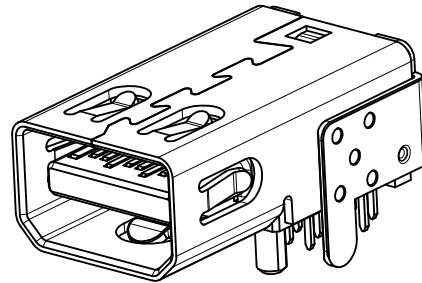
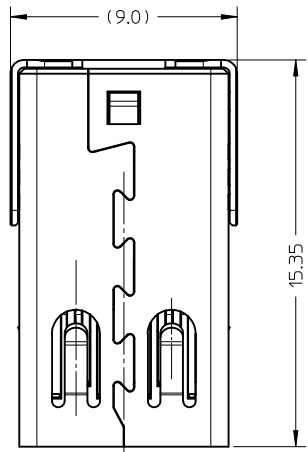
SCALE 5:1	DESIGN UNITS METRIC	THIRD ANGLE PROJECTION
TITLE CUSTOMER DRAWING FOR R/A MINI-DP RECEPT.		
MOLEX INCORPORATED		SHEET NO. 1 OF 2
DOCUMENT NO. SD-105081-001		
THIS DRAWING CONTAINS INFORMATION THAT IS PROPRIETARY TO MOLEX INCORPORATED AND SHOULD NOT BE USED WITHOUT WRITTEN PERMISSION		

	10	9	8	7	6	5	4	3	2	1	
	TOP ROW			BOTTOM ROW							
F	PIN NUMBER	SIGNAL TYPE	PIN NAME	PIN NUMBER	SIGNAL TYPE	PIN NAME					
	1	GND	GROUND	2	IN	HOT PLUG DETECT					
	3	OUT	ML_LANE 0 (p)	4	CONFIG	CONFIG 1					
	5	OUT	ML_LANE 0 (n)	6	CONFIG	CONFIG 2					
	7	GND	GROUND	8	GND	GROUND					
	9	OUT	ML_LANE 1 (p)	10	OUT	ML_LANE 3 (p)					
	11	OUT	ML_LANE 1 (n)	12	OUT	ML_LANE 3 (n)					
E	13	GND	GROUND	14	GND	GROUND					
	15	OUT	ML_LANE 2 (p)	16	I/O	AUX_CH (p)					
	17	OUT	ML_LANE 2 (n)	18	I/O	AUX_CH (n)					
	19	RTN	RETURN	20	POWER OUT	DP_POWER					



RECOMMENDED PCB LAYOUT
DEFAULT TOLERANCE ±0.05

REVISED EC NO: SH2010-0117 DRW:KWEI 2010/03/31 CHK:RZHANG 2010/03/31 APP:RZHANG 2010/08/11	DESCRIPTION REV	QUALITY SYMBOLS	GENERAL TOLERANCES (UNLESS SPECIFIED)		DIMENSION STYLE	SCALE	DESIGN UNITS	THIRD ANGLE PROJECTION		
			mm	INCH	MM ONLY	5:1	METRIC			
		$F_{\Delta} = 0$	4 PLACES ± ---	± ---	DRAWN BY	DATE	TITLE			
		$F_{\square} = 0$	3 PLACES ± ---	± ---	KLAUS WEI	2008/10/06	CUSTOMER DRAWING FOR R/A MINI-DP RECEPT.			
$F_{\circ} = 0$	2 PLACES ± 0.05	± ---	CHECKED BY	DATE						
		1 PLACE ± 0.10	± ---	ROST ZHANG	2008/10/06	MOLEX INCORPORATED				
		ANGULAR ± ---°		APPROVED BY	DATE					
				HARVEY WANG	2008/10/06	MATERIAL NO.		DOCUMENT NO.		
				DRAFT WHERE APPLICABLE MUST REMAIN WITHIN DIMENSIONS		105081- * 001		SD-105081-001		
				SIZE		THIS DRAWING CONTAINS INFORMATION THAT IS PROPRIETARY TO MOLEX INCORPORATED AND SHOULD NOT BE USED WITHOUT WRITTEN PERMISSION				
				A3		SHEET NO. 2 OF 2				



NOTES:

1. MATERIAL:
 - 1.1. PLASTIC: NYLON PA46, UL94V-2, COLOR: BLACK, HALOGEN FREE.
 - 1.2. INSERT MOLDING: LCP, UL94V-0.
 - 1.3. TERMINAL: COPPER ALLOY.
 - 1.4. SHIELD SHELL: STAINLESS STEEL.
2. PLATING:
 - 2.1. TERMINAL:
 - 2.1.1. UNDERPLATING: NICKEL 1.30 MICROMETER MIN.
 - 2.1.2. CONTACT AREA: GOLD 0.38 MICROMETER MIN.
 - 2.1.3. SOLDER AREA: MATTE TIN 2.50 MICROMETER MIN.
 - 2.2. METAL SHELL: SOLDERABLE NICKEL 1.30 MICROMETER MIN.
3. PRODUCT SPECIFICATION: PS-105081-001.
4. PACKAGING SPECIFICATION ACCORDING TO SPECIFIED P/N.
5. THIS PRODUCT COMPLIANT TO RoHS DIRECTIVE 2002/95/EC, AND ELV DIRECTIVE 2000/53/EC.
6. RECOMMENDED APPLIED PWB THICKNESS SEE TABLE.

105081-4001	2.0	1.75	1.75	1.20±0.10	PK-105081-002 (TRAY)
105081-6001	2.5	2.18	2.18	1.60±0.10	
PART NUMBER	DIM.A	DIM.B	DIM.C	PWB THICK.	PACKAGING SPEC.

NEW PRODUCT
 EC NO: SH2011-0039
 DRW:KWEI
 CHKD:
 APPR:RZHANG
 2010/08/04
 2010/11/19

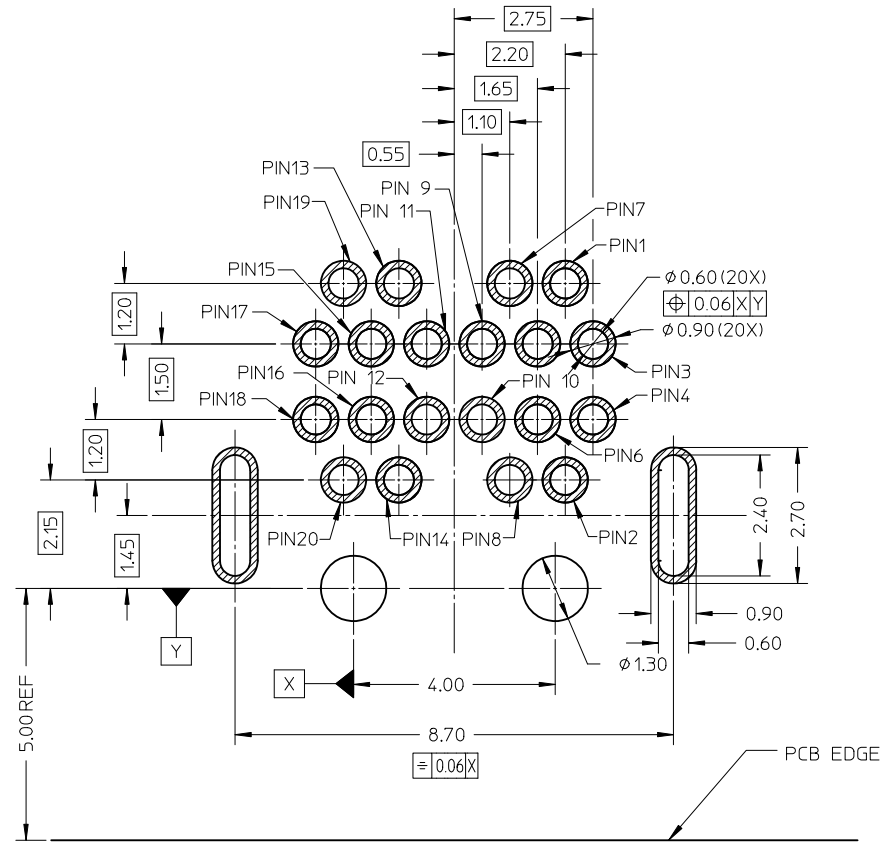
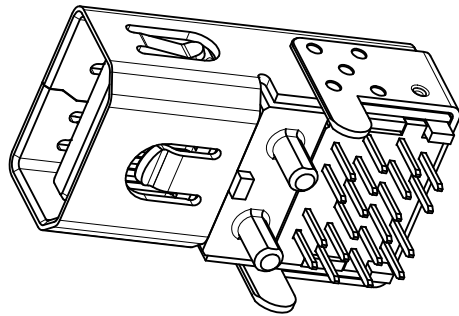
QUALITY SYMBOLS

 DESCRIPTION
 REV

GENERAL TOLERANCES (UNLESS SPECIFIED)		mm	INCH
	4 PLACES	± ---	± ---
	3 PLACES	± ---	± ---
	2 PLACES	± 0.25	± ---
	1 PLACE	± 0.30	± ---
		ANGULAR ± ---°	
DRAFT WHERE APPLICABLE MUST REMAIN WITHIN DIMENSIONS			

DIMENSION STYLE		SCALE	DESIGN UNITS	THIRD ANGLE PROJECTION
MM ONLY		5:1	METRIC	
DRAWN BY	DATE	TITLE		
KLAUS WEI	2008/10/06	CUSTOMER DRAWING FOR R/A MINI-DP RECEPT. LOWER HEIGHT		
CHECKED BY	DATE			
ROST ZHANG	2008/10/06	MOLEX INCORPORATED		
APPROVED BY	DATE			
RZHANG	2010/11/19	MATERIAL NO.	DOCUMENT NO.	SHEET NO.
		105081-*001	SD-105081-002	1 OF 2
SIZE	THIS DRAWING CONTAINS INFORMATION THAT IS PROPRIETARY TO MOLEX INCORPORATED AND SHOULD NOT BE USED WITHOUT WRITTEN PERMISSION			
A3				

TOP ROW			BOTTOM ROW		
PIN NUMBER	SIGNAL TYPE	PIN NAME	PIN NUMBER	SIGNAL TYPE	PIN NAME
1	GND	GROUND	2	IN	HOT PLUG DETECT
3	OUT	ML_LANE 0 (p)	4	CONFIG	CONFIG 1
5	OUT	ML_LANE 0 (n)	6	CONFIG	CONFIG 2
7	GND	GROUND	8	GND	GROUND
9	OUT	ML_LANE 1 (p)	10	OUT	ML_LANE 3 (p)
11	OUT	ML_LANE 1 (n)	12	OUT	ML_LANE 3 (n)
13	GND	GROUND	14	GND	GROUND
15	OUT	ML_LANE 2 (p)	16	I/O	AUX_CH (p)
17	OUT	ML_LANE 2 (n)	18	I/O	AUX_CH (n)
19	RTN	RETURN	20	POWER OUT	DP_POWER



RECOMMENDED PCB LAYOUT
DEFAULT TOLERANCE ±0.05

NEW PRODUCT EC NO: SH2011-0039 DRW/K: CWEI CHK/D: RZHANG APPR: RZHANG 2010/08/04 2010/11/19	QUALITY SYMBOLS =0 =0	GENERAL TOLERANCES (UNLESS SPECIFIED)		DIMENSION STYLE		SCALE	DESIGN UNITS	THIRD ANGLE PROJECTION			
				MM ONLY		5:1	METRIC				
				mm	INCH	DRAWN BY	DATE	TITLE			
				4 PLACES ±---	±---	KLAUS WEI	2008/10/06	CUSTOMER DRAWING FOR R/A MINI-DP RECEPT. LOWER HEIGHT MOLEX INCORPORATED			
		3 PLACES ±---	±---	CHECKED BY	DATE	MATERIAL NO.					
		2 PLACES ±0.05	±---	ROST ZHANG	2008/10/06	105081- *001		SD-105081-002			
		1 PLACE ±0.10	±---	APPROVED BY	DATE	SIZE		SHEET NO.			
		ANGULAR ±---°		RZHANG	2010/11/19	A3		2 OF 2			
		DRAFT WHERE APPLICABLE MUST REMAIN WITHIN DIMENSIONS				THIS DRAWING CONTAINS INFORMATION THAT IS PROPRIETARY TO MOLEX INCORPORATED AND SHOULD NOT BE USED WITHOUT WRITTEN PERMISSION					