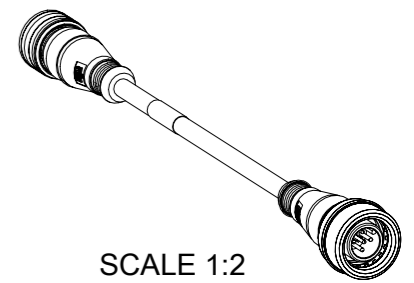
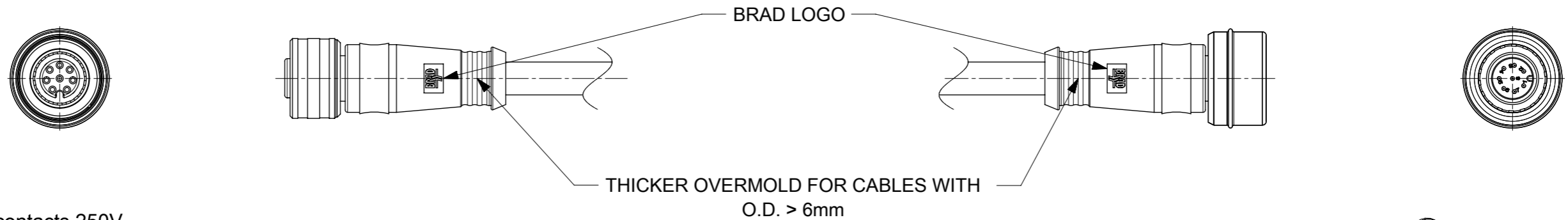
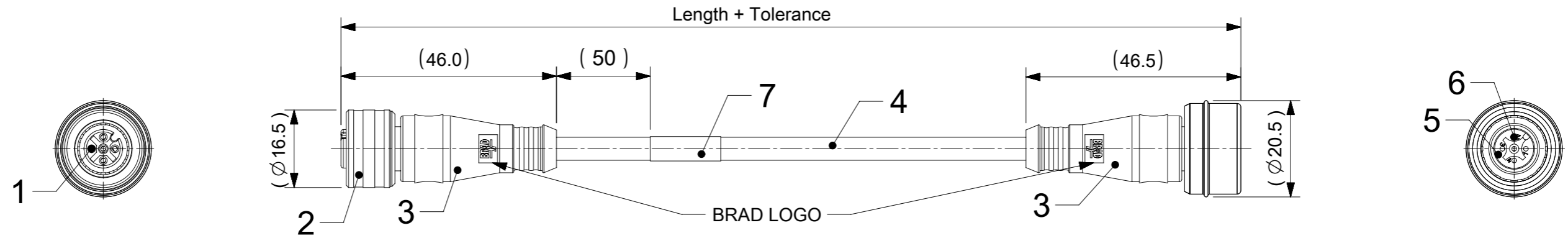


FEMALE PLUG M12U STRAIGHT TO MALE PLUG M12U STRAIGHT



NOTES:

RATED VOLTAGE: 3, 4 contacts 250V
 5 contacts 60V
 8 contacts 30V

RATED CURRENT: 3, 4, 5 contacts 4A
 8 contacts 2A

PROTECTION CLASS: IP 67
 TEMPERATURE: -25°C / +80°C

CONTACTS POSITION FRONT VIEW:

| | 3 CONTACTS | | 4 CONTACTS | | 5 CONTACTS | | 8 CONTACTS | |
|-------------|------------|-------|------------|-------|------------|----------------------|------------|--------|
| FEMALE | | | | | | | | |
| MALE | | | | | | | | |
| CONNECTIONS | PIN | WIRE | PIN | WIRE | PIN | WIRE | PIN | WIRE |
| | 1 | BROWN | 1 | BROWN | 1 | BROWN | 1 | WHITE |
| | 2 | - | 2 | WHITE | 2 | WHITE | 2 | BROWN |
| | 3 | BLUE | 3 | BLUE | 3 | BLUE | 3 | GREEN |
| | 4 | BLACK | 4 | BLACK | 4 | BLACK | 4 | YELLOW |
| | | | | | 5 | GREY OR GREEN/YELLOW | 5 | GREY |
| | | | | | | | 6 | PINK |
| | | | | | | | 7 | BLUE |
| | | | | | | 8 | RED | |

CODING REQUIRED TO IEC 61076-2-101

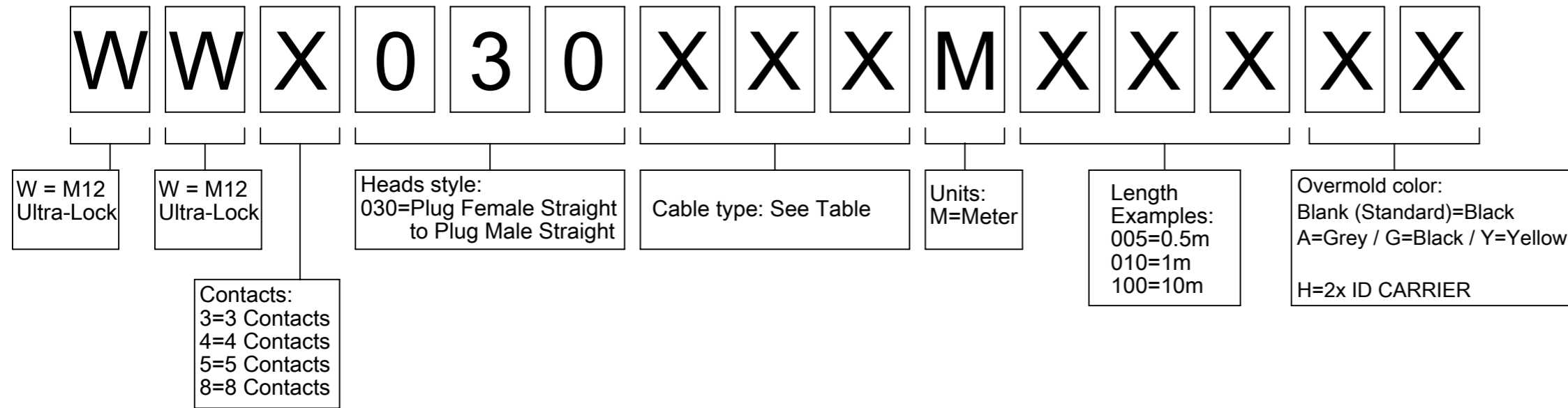
FOR OPTIONS SEE - NUMERICAL CODE - ON SHEET 2

| ITEM | QTY. | DESCRIPTION | MATERIAL | FINISH |
|------|---------------|--------------------|-------------|----------------------------|
| 7 | 1 | LABEL YELLOW | VINYL | - |
| 6 | 3 / 4 / 5 / 8 | CONTACT MALE | BRASS | SELECTIVE GOLD OVER NICKEL |
| 5 | 1 | PLUG U12 MALE XP | PUR, BRASS | - |
| 4 | - | CABLE | SEE SHEET 2 | - |
| 3 | - | OVERMOULDING BLACK | TPU | - |
| 2 | 1 | PLUG U12 FEMALE XP | PUR, BRASS | - |
| 1 | 3 / 4 / 5 / 8 | CONTACT FEMALE | BRASS | SELECTIVE GOLD OVER NICKEL |

| | | | | | |
|--|---|---|---|------------------------------------|---|
| FUNCTIONAL SYMBOLS | THIS DRAWING CONTAINS INFORMATION THAT IS PROPRIETARY TO MOLEX ELECTRONIC TECHNOLOGIES, LLC AND SHOULD NOT BE USED WITHOUT WRITTEN PERMISSION | CURRENT REV DESC: MALE PLUG UPDATED | | | |
| $\nabla_A = 0$ $\nabla_E = 0$ $\nabla_F = 0$ | DIMENSION UNITS: mm SCALE: 1:1 GENERAL TOLERANCES (UNLESS SPECIFIED) ANGULAR TOL ± 1.0° | EC NO: 695694 DRWN: MDHARMANTI 2022/01/21 CHK'D: RSILLER 2022/02/15 APPR: RSILLER 2022/02/15 | EC NO: 695694 DRWN: MDHARMANTI 2022/01/21 CHK'D: RSILLER 2022/02/15 APPR: RSILLER 2022/02/15 | | |
| DIVISIONAL SYMBOLS | 4 PLACES ± 3 PLACES ± 2 PLACES ± 0.05 1 PLACE ± 0.3 0 PLACES ± 0.5 | DRAFT WHERE APPLICABLE MUST REMAIN WITHIN DIMENSIONS | THIRD ANGLE PROJECTION | DRAWING: A3-SIZE SERIES: 120080 | MATERIAL NUMBER: SEE MATRIX CUSTOMER: GENERAL MARKET |
| DOCUMENT NUMBER: 1200805076 DOC TYPE: PSD DOC PART: 000 REVISION: A | | | SHEET NUMBER: 1 OF 3 | | |

ENGINEERING NO. - NUMERICAL CODE

OPTIONS



CABLE INFORMATION

| CABLE TYPE | NO. OF WIRES | CROSS SECTION | CABLE JACKET | UL | CSA | STATIC: TEMP. / BENDING RADIUS | DYNAMIC: TEMP. / BENDING RADIUS | DRAG CHAIN | SHIELD |
|------------|---------------|---------------------|------------------|----------------|--------------------------|--------------------------------|---------------------------------|---|--------|
| E03 | 3 / 4 / 5 | 0.34mm ² | PVC BLACK | UL 2464/1729 | C22.2 I/II A/B 80°C/300V | -30°C to +80°C, 10xO.D. | -10°C to +80°C, 15xO.D. | - | - |
| H08 | 3 / 4 / 5 / 8 | 0.25mm ² | PUR BLACK LS0H | UL 21198/10493 | C22.2 I/II A/B 80°C/300V | -40°C to +80°C, 5xO.D. | -25°C to +80°C, 10xO.D. | 2 000 000 cycles at 20°C, Temp. range +5°C to +60°C | - |
| H09 | 3 / 4 / 5 | 0.34mm ² | PUR BLACK LS0H | UL 21198/10493 | C22.2 I/II A/B 80°C/300V | -40°C to +80°C, 5xO.D. | -25°C to +80°C, 10xO.D. | 2 000 000 cycles at 20°C, Temp. range +5°C to +60°C | - |
| P02 | 3 / 4 / 5 / 8 | 0.25mm ² | PUR / PVC BLACK | - | - | -30°C to +80°C, 7xO.D. | -5°C to +80°C, 15xO.D. | - | - |
| P03 | 3 / 4 / 5 | 0.34mm ² | PUR / PVC BLACK | - | - | -30°C to +80°C, 7xO.D. | -5°C to +80°C, 15xO.D. | - | - |
| P82 | 5 | 0.34mm ² | PUR / IRR ORANGE | - | - | -50°C to +105°C, 5xO.D. | -40°C to +105°C, 7.5xO.D. | - | - |

CABLE LENGTH TOLERANCES

| OVER [mm] | UP TO AND INCLUDING [mm] | TOLERANCES [mm] |
|-----------|--------------------------|------------------------|
| 0 | 305 | +19 |
| 305 | 915 | +45 |
| 915 | 1830 | +56 |
| 1830 | 3660 | +89 |
| 3660 | 7320 | +165 |
| 7320 | 14640 | +317 |
| 14640 | 30500 | +610 |
| 30500 | > | +2% of finished length |

| | | | | | | | | | |
|--|---|----------------------------|---|--|--|---|--|--|-----------|
| FUNCTIONAL SYMBOLS | THIS DRAWING CONTAINS INFORMATION THAT IS PROPRIETARY TO MOLEX ELECTRONIC TECHNOLOGIES, LLC AND SHOULD NOT BE USED WITHOUT WRITTEN PERMISSION | | CURRENT REV DESC: MALE PLUG UPDATED | | | molex | | | |
| | △/A = 0 | mm | | | | | | | SCALE 1:1 |
| DIVISIONAL SYMBOLS | GENERAL TOLERANCES (UNLESS SPECIFIED) | | EC NO: 695694 DRWN: MDHARMANTI 2022/01/21 CHK'D: RSILLER 2022/02/15 APPR: RSILLER 2022/02/15 | | | CSE U12 XP AC STR PUR/PVC MA XP STR XM DE | | | |
| | △/E = 0 | ANGULAR TOL ± 1.0° | | | | | | | |
| | △/V = 0 | 4 PLACES ± | | | | | | | |
| | △/W = 0 | 3 PLACES ± | | | | | | | |
| | △/X = 0 | 2 PLACES ± 0.05 | | | | | | | |
| INITIAL REVISION: | | PRODUCT CUSTOMER DRAWING | | | | | | | |
| 1 PLACE ± 0.3 | | DOCUMENT NUMBER | | | | | | | |
| 0 PLACES ± 0.5 | | 1200805076 | | | | | | | |
| DRAFT WHERE APPLICABLE MUST REMAIN WITHIN DIMENSIONS | | DOC TYPE DOC PART REVISION | | | | | | | |
| THIRD ANGLE PROJECTION | | PSD 000 A | | | | | | | |
| DRAWING | | SERIES | | | | | | | |
| A3-SIZE | | 120080 | | | | | | | |
| MATERIAL NUMBER | | CUSTOMER | | | | | | | |
| SEE MATRIX | | GENERAL MARKET | | | | | | | |
| SHEET NUMBER | | 2 OF 3 | | | | | | | |

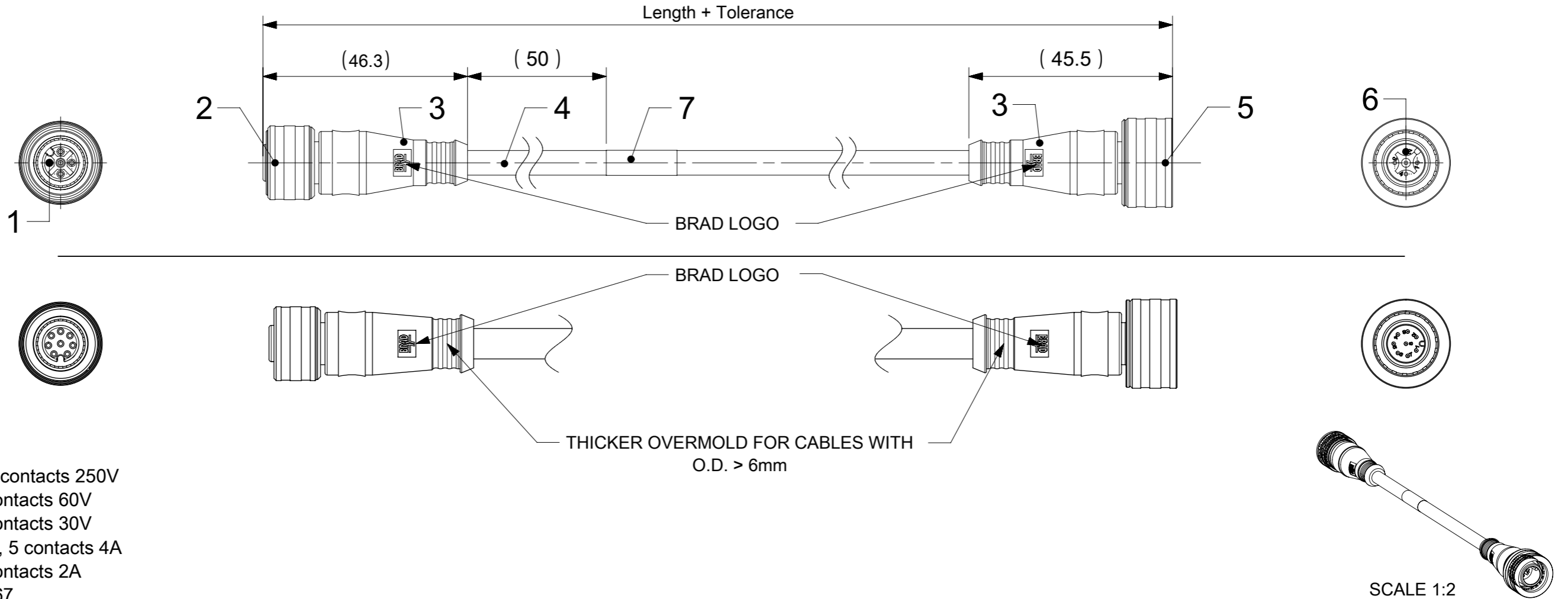
PART LIST

| NO. | MOLEX PN | ENGINEERING NO. | LENGTH |
|-----|------------|-----------------|--------|
| 1 | 1200808154 | WW5030P82M020 | 2M |
| 2 | 1200808155 | WW5030P82M030 | 3M |
| 3 | 1200808156 | WW5030P82M050 | 5M |
| 4 | 1200808157 | WW5030P82M070 | 7M |
| 5 | 1200808158 | WW5030P82M100 | 10M |
| 6 | 1200210002 | WW4030E03M050 | 5M |
| 7 | 1200800469 | WW4030E03M010 | 1M |
| 8 | 1200800470 | WW4030E03M020 | 2M |
| 9 | 1200805076 | WW5030E03M010 | 1M |
| 10 | 1200808016 | WW5030E03M050 | 5M |
| 11 | 1200805018 | WW4030P03M020 | 2M |
| 12 | 1200805022 | WW4030P03M005 | 0.5M |
| 13 | 1200805044 | WW4030P03M006 | 0.6M |
| 14 | 1200805049 | WW5030P03M006 | 0.6M |
| 15 | 1200805050 | WW5030P03M010 | 1M |
| 16 | 1200805051 | WW5030P03M020 | 2M |
| 17 | 1200808115 | WW4030P03M018 | 1.8M |
| 18 | 1200808133 | WW5030P03M100 | 10M |
| 19 | 1200805019 | WW5030P03M050 | 5M |
| 20 | 1200805048 | WW4030P03M050 | 5M |
| 21 | 1200805052 | WW5030P03M030 | 3M |
| 22 | 1200805053 | WW5030P03M040 | 4M |
| 23 | 1200808070 | WW5030P03M050A | 5M |
| 24 | 1200808071 | WW5030P03M020A | 2M |
| 25 | 1200805083 | WW8030P02M010 | 1M |
| 26 | 1200805096 | WW8030P02M020 | 2M |
| 27 | 1200808043 | WW5030P02M003G | 0.3M |
| 28 | 1200805097 | WW8030P02M050 | 5M |
| 29 | 1200808072 | WW8030P02M020A | 2M |
| 30 | 1200808073 | WW8030P02M050A | 5M |
| 31 | 1200808129 | WW8030P02M0208 | 2M |

| NO. | MOLEX PN | ENGINEERING NO. | LENGTH |
|-----|------------|-----------------|--------|
| 32 | 1200808026 | WW3030H09M010 | 1M |
| 33 | 1200808031 | WW4030H09M010 | 1M |
| 34 | 1200808039 | WW5030H09M010 | 1M |
| 35 | 1200808107 | WW5030H09M020 | 2M |
| 36 | 1200808033 | WW8030H08M010 | 1M |
| 37 | 1200808139 | WW8030H08M020 | 2M |
| 38 | 1200808140 | WW8030H08M050 | 5M |
| 39 | 1200798157 | WW5030E03M100 | 10M |
| 40 | 1200798158 | WW8030H08M100 | 10M |
| 41 | 1200210001 | WW4030E03M100 | 10M |
| 42 | 1200808015 | WW5030E03M020 | 2M |

| | | |
|--|---|--------------------------|
| FUNCTIONAL SYMBOLS | THIS DRAWING CONTAINS INFORMATION THAT IS PROPRIETARY TO MOLEX ELECTRONIC TECHNOLOGIES, LLC AND SHOULD NOT BE USED WITHOUT WRITTEN PERMISSION | |
| | DIMENSION UNITS | SCALE |
| $\nabla_A = 0$ | mm | 1:1 |
| GENERAL TOLERANCES (UNLESS SPECIFIED) | CURRENT REV DESC: MALE PLUG UPDATED | |
| | CSE U12 XP AC STR PUR/PVC MA XP STR XM DE | |
| $\nabla_B = 0$ | EC NO: 695694 | |
| $\nabla_C = 0$ | DRWN: MDHARMANTI 2022/01/21 | |
| DIVISIONAL SYMBOLS | CHK'D: RSILLER 2022/02/15 | |
| | APPR: RSILLER 2022/02/15 | |
| INITIAL REVISION: | | PRODUCT CUSTOMER DRAWING |
| 3 PLACES ± | DRWN: MDHARMANTI 2022/01/21 | DOCUMENT NUMBER |
| 2 PLACES ± 0.05 | APPR: RSILLER 2022/02/15 | 1200805076 |
| 1 PLACE ± 0.3 | DOC TYPE DOC PART REVISION | |
| 0 PLACES ± 0.5 | PSD 000 A | |
| DRAFT WHERE APPLICABLE MUST REMAIN WITHIN DIMENSIONS | THIRD ANGLE PROJECTION | DRAWING |
| | | A3-SIZE |
| | SERIES | 120080 |
| | MATERIAL NUMBER | SEE MATRIX |
| | CUSTOMER | GENERAL MARKET |
| | SHEET NUMBER | 3 OF 3 |

FEMALE PLUG M12U STRAIGHT TO MALE PLUG M12U STRAIGHT



NOTES:

- RATED VOLTAGE: 3, 4 contacts 250V
5 contacts 60V
8 contacts 30V
- RATED CURRENT: 3, 4, 5 contacts 4A
8 contacts 2A
- PROTECTION CLASS: IP 67
- TEMPERATURE: -25°C / +80°C

CONTACTS POSITION FRONT VIEW:

| | 3 CONTACTS | | 4 CONTACTS | | 5 CONTACTS | | 8 CONTACTS | |
|-------------|------------|-------|------------|-------|------------|----------------------|------------|--------|
| FEMALE | | | | | | | | |
| MALE | | | | | | | | |
| CONNECTIONS | PIN | WIRE | PIN | WIRE | PIN | WIRE | PIN | WIRE |
| | 1 | BROWN | 1 | BROWN | 1 | BROWN | 1 | WHITE |
| | 2 | - | 2 | WHITE | 2 | WHITE | 2 | BROWN |
| | 3 | BLUE | 3 | BLUE | 3 | BLUE | 3 | GREEN |
| | 4 | BLACK | 4 | BLACK | 4 | BLACK | 4 | YELLOW |
| | | | | | 5 | GREY OR GREEN/YELLOW | 5 | GREY |
| | | | | | | | 6 | PINK |
| | | | | | | | 7 | BLUE |
| | | | | | | 8 | RED | |

CODING REQUIRED TO IEC 61076-2-101

FOR OPTIONS SEE - NUMERICAL CODE - ON SHEET 2

| ITEM | QTY. | DESCRIPTION | MATERIAL | FINISH |
|------|---------------|--------------------|-------------|----------------------------|
| 7 | 1 | LABEL YELLOW | VINYL | - |
| 6 | 3 / 4 / 5 / 8 | CONTACT MALE | BRASS | SELECTIVE GOLD OVER NICKEL |
| 5 | 1 | PLUG U12 MALE XP | PUR, BRASS | - |
| 4 | - | CABLE | SEE SHEET 2 | - |
| 3 | - | OVERMOULDING BLACK | TPU | - |
| 2 | 1 | PLUG U12 FEMALE XP | PUR, BRASS | - |
| 1 | 3 / 4 / 5 / 8 | CONTACT FEMALE | BRASS | SELECTIVE GOLD OVER NICKEL |

| | | | | | | |
|---|---|----|--|---|--|---|
| QUALITY SYMBOLS FA = 0 FE = 0 FF = 0 GV = 0 CH = 0 X = 0 BK = 0 VC = 0 | THIS DRAWING CONTAINS INFORMATION THAT IS PROPRIETARY TO MOLEX ELECTRONIC TECHNOLOGIES, LLC AND SHOULD NOT BE USED WITHOUT WRITTEN PERMISSION | | DIMENSION UNITS: mm SCALE: 1:1 | | | |
| | GENERAL TOLERANCES (UNLESS SPECIFIED) ANGULAR TOL ± 1.0 ° | | DRWN BY: MKOWALCZYK01 DATE: 2017/05/18 | | | M12U-XP-FE-STR-XP-M-STR-XM |
| | 4 PLACES ± 3 PLACES ± 2 PLACES ± 0.05 1 PLACE ± 0.3 0 PLACES ± 0.5 | | CHK'D BY: MIWASIECZKO DATE: 2017/05/31 | | | |
| | DRAFT WHERE APPLICABLE MUST REMAIN WITHIN DIMENSIONS | | DRAWING SIZE: A3 THIRD ANGLE PROJECTION | | | SERIES: 120080 MATERIAL NUMBER: SEE MATRIX CUSTOMER: GENERAL MARKET |
| EC NO: 178454 DRWN: SSM CHK'D: SSM REV APPR: RSILLER 2018/06/21 2018/06/27 2018/06/28 | | A2 | | DOCUMENT NUMBER: 1200805076 DOC TYPE: PSD DOC PART: 00P SHEET NUMBER: 1 OF 3 | | |

ENGINEERING NO. - NUMERICAL CODE

OPTIONS

W W X 0 3 0 X X X M X X X X X

W = M12
Ultra-Lock

W = M12
Ultra-Lock

Contacts:
3=3 Contacts
4=4 Contacts
5=5 Contacts
8=8 Contacts

Heads style:
030=Plug Female Straight
to Plug Male Straight

Cable type: See Table

Units:
M=Meter

Length
Examples:
005=0.5 unit
010=1 unit
100=10 units

Overmold color:
Blank (Standard)=Black
A=Grey / G=Black / Y=Yellow

H=2x ID CARRIER

CABLE INFORMATION

| CABLE TYPE | NO. OF WIRES | CROSS SECTION | CABLE JACKET | UL | CSA | STATIC: TEMP. / BENDING RADIUS | DYNAMIC: TEMP. / BENDING RADIUS | DRAG CHAIN | SHIELD |
|------------|---------------|---------------------|------------------|----------------|--------------------------|--------------------------------|---------------------------------|---|--------|
| E03 | 3 / 4 / 5 | 0.34mm ² | PVC BLACK | UL 2464/1729 | C22.2 I/II A/B 80°C/300V | -30°C to +80°C, 10xO.D. | -10°C to +80°C, 15xO.D. | - | - |
| H08 | 3 / 4 / 5 / 8 | 0.25mm ² | PUR BLACK LS0H | UL 21198/10493 | C22.2 I/II A/B 80°C/300V | -40°C to +80°C, 5xO.D. | -25°C to +80°C, 10xO.D. | 2 000 000 cycles at 20°C, Temp. range +5°C to +60°C | - |
| H09 | 3 / 4 / 5 | 0.34mm ² | PUR BLACK LS0H | UL 21198/10493 | C22.2 I/II A/B 80°C/300V | -40°C to +80°C, 5xO.D. | -25°C to +80°C, 10xO.D. | 2 000 000 cycles at 20°C, Temp. range +5°C to +60°C | - |
| P02 | 3 / 4 / 5 / 8 | 0.25mm ² | PUR / PVC BLACK | - | - | -30°C to +80°C, 7xO.D. | -5°C to +80°C, 15xO.D. | - | - |
| P03 | 3 / 4 / 5 | 0.34mm ² | PUR / PVC BLACK | - | - | -30°C to +80°C, 7xO.D. | -5°C to +80°C, 15xO.D. | - | - |
| P82 | 5 | 0.34mm ² | PUR / IRR ORANGE | - | - | -50°C to +105°C, 5xO.D. | -40°C to +105°C, 7.5xO.D. | - | - |

CABLE LENGTH TOLERANCES

| OVER [mm] | UP TO AND INCLUDING [mm] | TOLERANCES [mm] |
|-----------|--------------------------|------------------------|
| 0 | 305 | +19 |
| 305 | 915 | +45 |
| 915 | 1830 | +56 |
| 1830 | 3660 | +89 |
| 3660 | 7320 | +165 |
| 7320 | 14640 | +317 |
| 14640 | 30500 | +610 |
| 30500 | > | +2% of finished length |

| | | | | | | | | | | | |
|-----------------|---|---------------------------------------|------------------------|------------|------------|-----------------|----------------------------|--------------------------|----------|----------|--------------|
| QUALITY SYMBOLS | THIS DRAWING CONTAINS INFORMATION THAT IS PROPRIETARY TO MOLEX ELECTRONIC TECHNOLOGIES, LLC AND SHOULD NOT BE USED WITHOUT WRITTEN PERMISSION | | | | | | | | | | |
| ▽ = 0 | 2018/06/21 2018/06/27 2018/06/28 | GENERAL TOLERANCES (UNLESS SPECIFIED) | | | | DIMENSION UNITS | SCALE | molex® | | | |
| ▽ = 0 | | ANGULAR TOL ± 1.0 ° | | mm | 1:1 | | | | | | |
| ▽ = 0 | | 4 PLACES ± | DRWN BY | | DATE | | M12U-XP-FE-STR-XP-M-STR-XM | | | | |
| ▽ = 0 | | 3 PLACES ± | MKOWALCZYK01 | | 2017/05/18 | | | | | | |
| ▽ = 0 | | 2 PLACES ± 0.05 | CHK'D BY | | DATE | | | | | | |
| ▽ = 0 | 1 PLACE ± 0.3 | APPR BY | | | | DATE | | PRODUCT CUSTOMER DRAWING | | | |
| ▽ = 0 | 0 PLACES ± 0.5 | MIWASIECZKO | | 2017/05/31 | | SERIES | MATERIAL NUMBER | CUSTOMER | | | |
| ▽ = 0 | DRAFT WHERE APPLICABLE MUST REMAIN WITHIN DIMENSIONS | DRAWING SIZE | THIRD ANGLE PROJECTION | | | 120080 | SEE MATRIX | GENERAL MARKET | | | |
| ▽ = 0 | A2 | A3 | | | | DOCUMENT NUMBER | | 1200805076 | DOC TYPE | DOC PART | SHEET NUMBER |
| | | | | | | | | PSD | 00P | 2 OF 3 | |

PART LIST

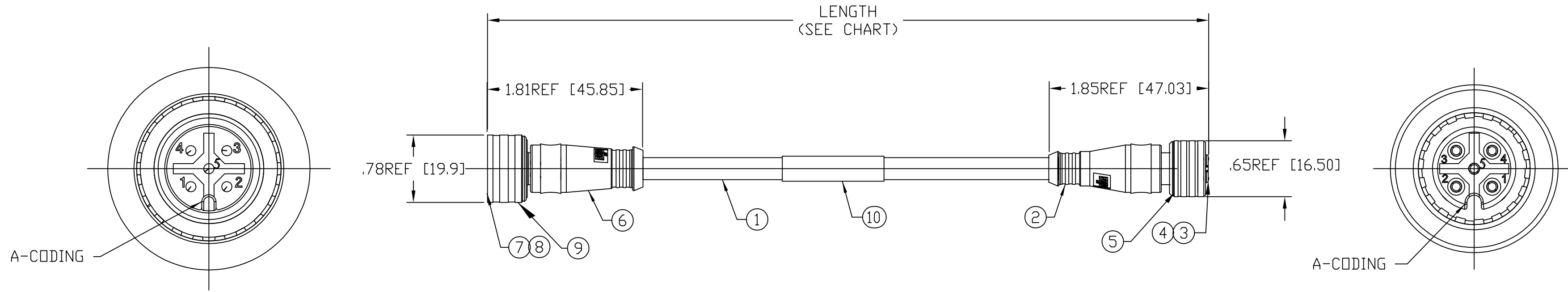
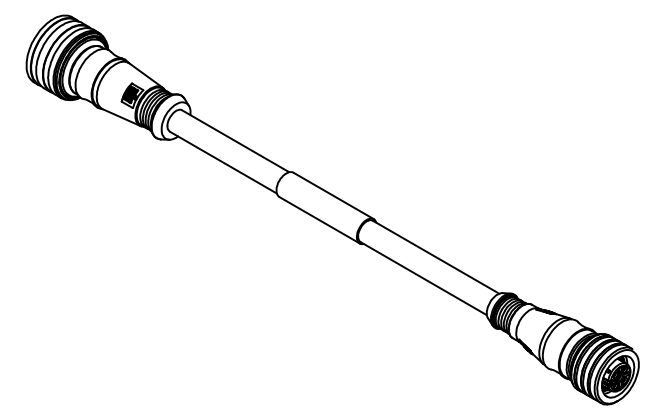
| NO. | MOLEX PN | ENGINEERING NO. | LENGTH |
|-----|------------|-----------------|--------|
| 1 | 1200808154 | WW5030P82M020 | 2M |
| 2 | 1200808155 | WW5030P82M030 | 3M |
| 3 | 1200808156 | WW5030P82M050 | 5M |
| 4 | 1200808157 | WW5030P82M070 | 7M |
| 5 | 1200808158 | WW5030P82M100 | 10M |
| 6 | 1200210002 | WW4030E03M050 | 5M |
| 7 | 1200800469 | WW4030E03M010 | 1M |
| 8 | 1200800470 | WW4030E03M020 | 2M |
| 9 | 1200805076 | WW5030E03M010 | 1M |
| 10 | 1200808016 | WW5030E03M050 | 5M |
| 11 | 1200805018 | WW4030P03M020 | 2M |
| 12 | 1200805022 | WW4030P03M005 | 0.5M |
| 13 | 1200805044 | WW4030P03M006 | 0.6M |
| 14 | 1200805049 | WW5030P03M006 | 0.6M |
| 15 | 1200805050 | WW5030P03M010 | 1M |
| 16 | 1200805051 | WW5030P03M020 | 2M |
| 17 | 1200808115 | WW4030P03M018 | 1.8M |
| 18 | 1200808133 | WW5030P03M100 | 10M |
| 19 | 1200805019 | WW5030P03M050 | 5M |
| 20 | 1200805048 | WW4030P03M050 | 5M |
| 21 | 1200805052 | WW5030P03M030 | 3M |
| 22 | 1200805053 | WW5030P03M040 | 4M |
| 23 | 1200808070 | WW5030P03M050A | 5M |
| 24 | 1200808071 | WW5030P03M020A | 2M |
| 25 | 1200805083 | WW8030P02M010 | 1M |
| 26 | 1200805096 | WW8030P02M020 | 2M |
| 27 | 1200808043 | WW5030P02M003G | 0.3M |
| 28 | 1200805097 | WW8030P02M050 | 5M |
| 29 | 1200808072 | WW8030P02M020A | 2M |
| 30 | 1200808073 | WW8030P02M050A | 5M |
| 31 | 1200808129 | WW8030P02M0208 | 2M |

| NO. | MOLEX PN | ENGINEERING NO. | LENGTH |
|-----|------------|-----------------|--------|
| 32 | 1200808026 | WW3030H09M010 | 1M |
| 33 | 1200808031 | WW4030H09M010 | 1M |
| 34 | 1200808039 | WW5030H09M010 | 1M |
| 35 | 1200808107 | WW5030H09M020 | 2M |
| 36 | 1200808033 | WW8030H08M010 | 1M |
| 37 | 1200808139 | WW8030H08M020 | 2M |
| 38 | 1200808140 | WW8030H08M050 | 5M |
| 39 | 1200798157 | WW5030E03M100 | 10M |
| 40 | 1200798158 | WW8030H08M100 | 10M |
| 41 | 1200210001 | WW4030E03M100 | 10M |
| 42 | 1200808015 | WW5030E03M020 | 2M |

| | | | | | | | | | | | | |
|---------------------|---|---------------------------------------|--------------|------------------------|-----------------|--|------------|----------|----------------|--|--|--|
| QUALITY SYMBOLS | THIS DRAWING CONTAINS INFORMATION THAT IS PROPRIETARY TO MOLEX ELECTRONIC TECHNOLOGIES, LLC AND SHOULD NOT BE USED WITHOUT WRITTEN PERMISSION | | | | | | | | | | | |
| | 2018/06/21 DRWN: SSM 2018/06/27 CHK'D: SSM 2018/06/28 APPR: RSILLER | GENERAL TOLERANCES (UNLESS SPECIFIED) | | DIMENSION UNITS | SCALE | M12U-XP-FE-STR-XP-M-STR-XM PRODUCT CUSTOMER DRAWING | | | | | | |
| | | ANGULAR TOL ± 1.0 ° | | mm | 1:1 | | | | | | | |
| | | 4 PLACES ± | DRWN BY | | DATE | | | | | | | |
| | | 3 PLACES ± | MKOWALCZYK01 | | 2017/05/18 | | | | | | | |
| | | 2 PLACES ± 0.05 | CHK'D BY | | DATE | | | | | | | |
| | 1 PLACE ± 0.3 | APPR BY | | DATE | SERIES | | | | | | | |
| | 0 PLACES ± 0.5 | MIWASIECZKO | | 2017/05/31 | MATERIAL NUMBER | | CUSTOMER | | | | | |
| | DRAFT WHERE APPLICABLE MUST REMAIN WITHIN DIMENSIONS | | DRAWING SIZE | THIRD ANGLE PROJECTION | 120080 | | SEE MATRIX | | GENERAL MARKET | | | |
| | | | A4 | | DOCUMENT NUMBER | | DOC TYPE | DOC PART | SHEET NUMBER | | | |
| | | | | 1200805076 | | PSD | 00P | 3 OF 3 | | | | |

RELEASE STATUS P1 RELEASE DATE 2018/06/28 06:17:11

| PART NUMBER | ENGINEERING NO. | LENGTH |
|-------------|-----------------|-----------------------------------|
| 1200805049 | WW5030P03M006 | 2' 0" +1.8 - 0 [.6M +45MM - 0] |
| 1200805050 | WW5030P03M010 | 3' 3" +2.2 - 0 [1M +55MM - 0] |
| 1200805051 | WW5030P03M020 | 6' 6" +3.5" - 0 [2M +90MM - 0] |
| 1200805052 | WW5030P03M030 | 9' 8" +3.5" - 0 [3M +90MM - 0] |
| 1200805053 | WW5030P03M040 | 13' 1" +6.5" - 0 [4M +150MM - 0] |
| 1200805019 | WW5030P03M050 | 16' 4" +6.5" - 0 [5M +150MM - 0] |



- NOTES:
- 1) MATERIAL: SEE TABLE
 - 2) FINISHES: SEE TABLE
 - 3) WRAP LABEL IS MARKED WITH P/N, DATE CODE, VOLTAGE & AMPERAGE.
 - 4) MATES WITH: MICRO CHANGE, 5 POLE RECEPTACLE
 - 5) ELECTRICAL DATA:
 INLINE CORDSET
 MALE A-CODING TO FEMALE A-CODING
 22AWG UNSHIELDED
 POLES: 5
 MAX. VOLTAGE: 250V
 MAX. CURRENT 4A
 CONTACT RESISTANCE: <5M Ohm
 PROTECTION IP67/68/69K
 TEMPERATURE RANGE: -20°C TO 80°C
 - 6) PACKAGING:
 CABLE ASSEMBLIES ARE BAGGED SEPERATELY
 IN POLY BAGS WITH BAR CODE LABEL ATTACHED
 TO OUTSIDE OF BAG.
 - 7) ASSEMBLY IS RoHS COMPLIANT.

| P1 | | P2 |
|----|-------|----|
| 1 | BROWN | 1 |
| 2 | WHITE | 2 |
| 3 | BLUE | 3 |
| 4 | BLACK | 4 |
| 5 | GRAY | 5 |

WIRING DIAGRAM

| ITEM | QTY. | DESCRIPTION | MATERIAL | FINISH |
|------|------|---------------------|--------------|---------------|
| 10 | 1 | LABEL | PLASTIC FILM | BLACK/YELLOW |
| 9 | 1 | MALE COUPLING NUT | BRASS | NICKEL PLATED |
| 8 | 5 | PIN CONTACT | COPPER ALLOY | GOLD PLATED |
| 7 | 1 | MALE INSERT | PUR | BLACK |
| 6 | 1 | MALE OVERMOLD | PUR | YELLOW |
| 5 | 1 | FEMALE COUPLING NUT | BRASS | NICKEL PLATED |
| 4 | 5 | SOCKET CONTACT | COPPER ALLOY | GOLD PLATED |
| 3 | 1 | FEMALE INSERT | PUR | BLACK |
| 2 | 1 | FEMALE OVERMOLD | PUR | YELLOW |
| 1 | 1 | CABLE, 22AWG-5 | PUR JACKET | BLACK |

| | | | | | | | |
|--|--------------------|---|--|---|--|-------------------------------|------------------------|
| RELEASE EC NO: WEU2010-0062 DRWN: BWOODMAN 8/19/09 CH'KD: LH APPR: JFMURPHY 2009/08/21 | DESCRIPTION REV | QUALITY SYMBOL ▽=0 ▽C=0 | GENERAL TOLERANCES (UNLESS SPECIFIED) | DIMENSION STYLE IN/MM | SCALE 1:1 | DESIGN UNITS INCH | THIRD ANGLE PROJECTION |
| | | 4 PLACES ±--- ±--- 3 PLACES ±.005 ±.005 2 PLACES ±.013 ±.010 1 PLACE ±.025 ±.020 | DRAWN BY BW | DATE 2009/08/19 | TITLE MICRO CHANGE ULTRA LOCK 5-P MALE/FEMALE ST/ST 22/5AWG PUR | | |
| | | ANGULAR ±---° | CHECKED BY LH | DATE 2009/08/19 | MOLEX INCORPORATED | | |
| | | DRAFT WHERE APPLICABLE MUST REMAIN WITHIN DIMENSIONS | APPROVED BY DATE | DATE | MATERIAL NO. SEE CHART | DOCUMENT NO. SD-120080-012 | SHEET NO. 1 OF 1 |
| | | | SIZE C | THIS DRAWING CONTAINS INFORMATION THAT IS PROPRIETARY TO MOLEX INCORPORATED AND SHOULD NOT BE USED WITHOUT WRITTEN PERMISSION | | | |