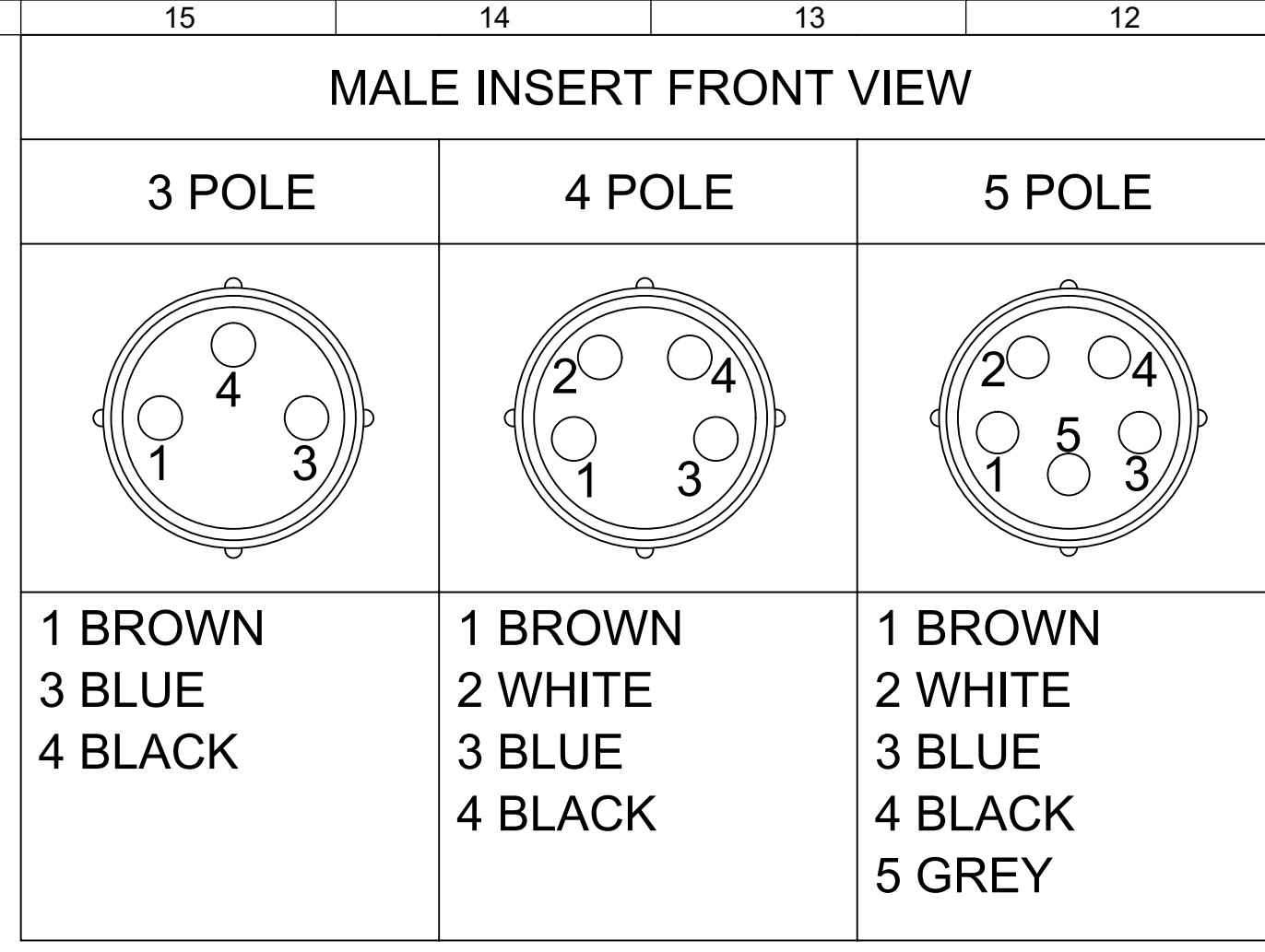


MATERIAL NO.	ENGINEERING NO.	FINISHED LENGTH
1200860131	403006A10M010	1M [3 FT 3 IN]
1200860185	404006A10M050	5M [16 FT 5 IN]
1200860579	405006A10M100	10M [32 FT 9.7 IN]

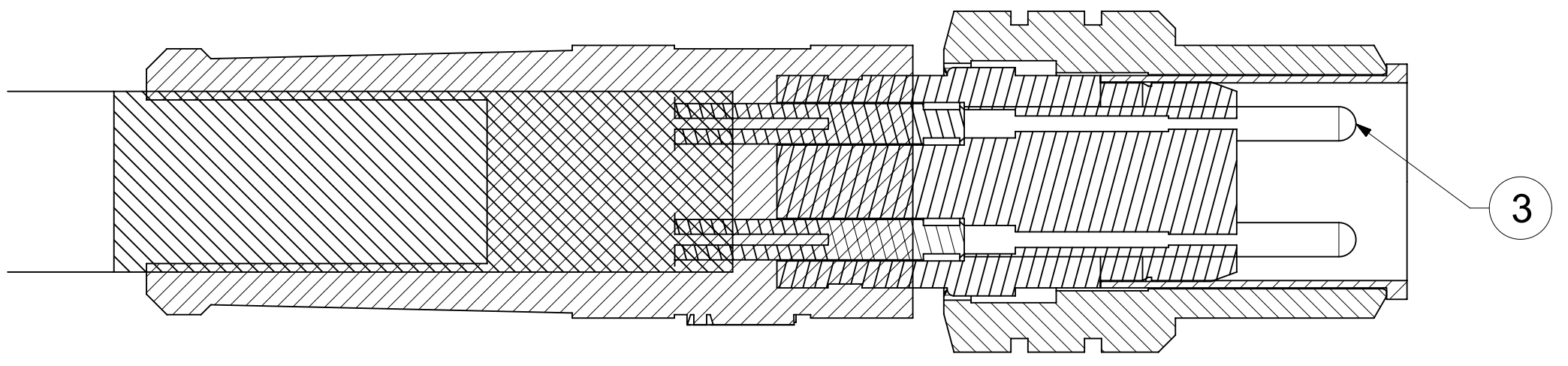
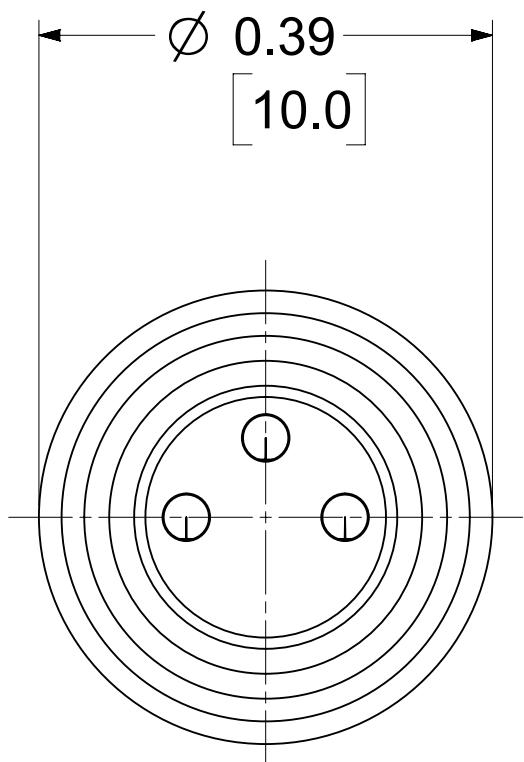
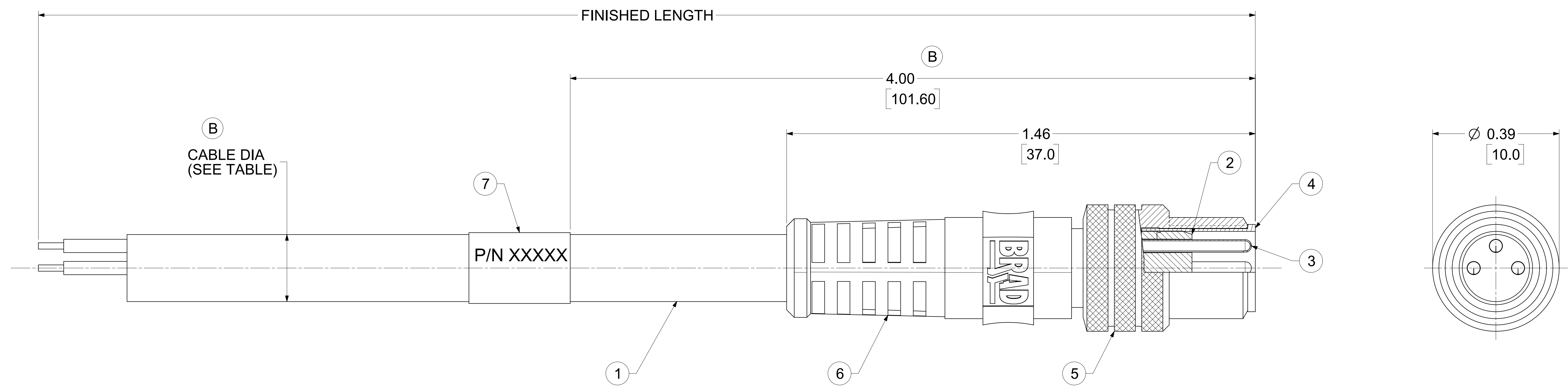
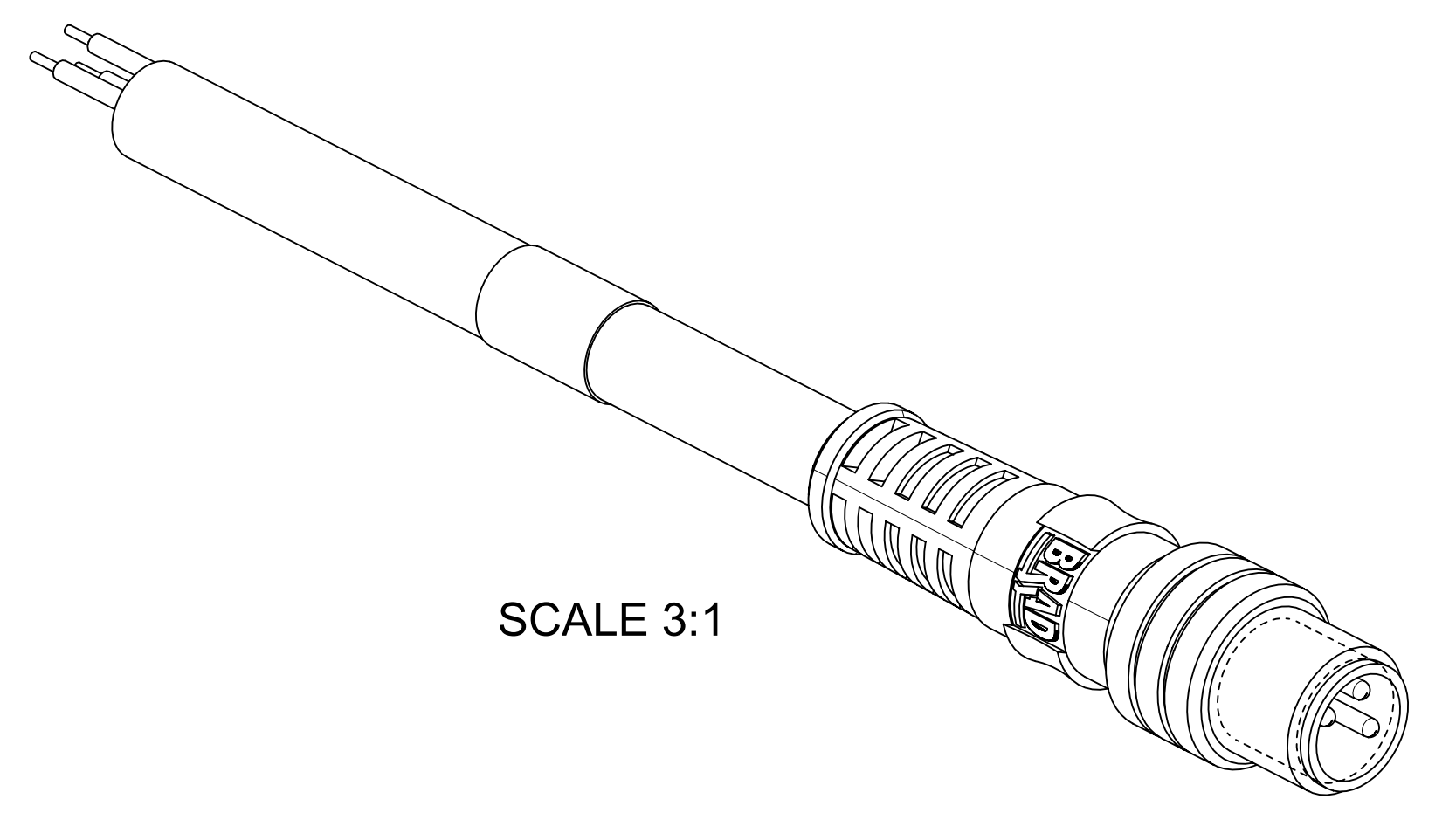


**PART NUMBER LEGEND**

403006A10M010

3- 3 POLES  
4- 4 POLES  
5- 5 POLES

FINISHED LENGTH  
M001 = .1 METER  
M010 = 1 METER  
M100 = 10 METER



- NOTES:**
- MATERIAL: AS NOTED
  - FINISH: AS NOTED
  - ELECTRICAL:  
VOLTAGE: 60VAC/75VDC  
CURRENT: 4A (3&4 POLE), 3A (5 POLE)
  - TEMP RATING: -20°C TO +105°C
  - PROTECTION: IP67 (WHEN MATED)
  - COUPLING THREAD: M8x1
  - UL LISTED FILE: E152210  
CSA CERTIFIED FILE: LR6837
  - ALL DIMS ARE FOR REFERENCE UNLESS TOLERANCED OR NOTED OTHERWISE

7	WRAP LABEL	VINYL	BLACK/YELLOW
6	OVERMOLD	TPC	YELLOW
5	MALE COUPLING NUT	BRASS	NICKEL PLATED
4	MALE SLEEVE	BRASS	NICKEL PLATED
3	PIN CONTACT	Cu ALLOY	GOLD OVER NICKEL
2	MALE INSERT	PUR	BLACK
1	CABLE, 3-5P, 24AWG	PVC JACKET	YELLOW
ITEM	DESCRIPTION	MATERIAL	FINISH

POLES	CABLE DIA.
3	0.17 [4.31]
4	0.18 [4.57]
5	0.20 [5.08]

**CABLE LENGTH TOLERANCES**

<.3M [1FT]: +19mm-0 [ +.75in-0]

.3 - .9M [1 - 3FT]: +44.5mm-0 [+1.75in-0]

.9 - 1.8M [3 - 6FT]: +55.6mm-0 [+2.19in-0]

1.8 - 3.7M [6 - 12FT]: +88.9mm-0 [+3.50in-0]

3.7 - 7.3M [12 - 24FT]: +165.1mm-0 [+6.50in-0]

7.3-14.6M [24 - 48FT]: +317.5mm-0 [+12.50in-0]

14.6 - 30.5M [48-100FT]: +622.3mm-0 [+24.50in-0]

OVER 30M [100FT] +2% OF FINISHED LENGTH

FUNCTIONAL SYMBOLS		THIS DRAWING CONTAINS INFORMATION THAT IS PROPRIETARY TO MOLEX ELECTRONIC TECHNOLOGIES, LLC AND SHOULD NOT BE USED WITHOUT WRITTEN PERMISSION		CURRENT REV DESC: ITEM # 6 WAS PVC, UPDATED MATERIAL TABLE. ADDED STD. NOTES, PART NUMBER LEGEND, TOL. TABLE & CABLE DIA.	
$\nabla_A = 0$	DIMENSION UNITS	SCALE	GENERAL TOLERANCES (UNLESS SPECIFIED)		
$\nabla_C = 0$	INCH/MM	6:1	MM	INCH	
$\nabla_P = 0$	4 PLACES	±	±		
	3 PLACES	±	±		
	2 PLACES	±	±		
	1 PLACE	±	±		
	0 PLACES	±	±		
	ANGULAR TOL	±	°		
	DRAFT WHERE APPLICABLE MUST REMAIN WITHIN DIMENSIONS		THIRD ANGLE PROJECTION		
			DRAWING	SERIES	
			D-SIZE	120086	
DOCUMENT STATUS		P1	RELEASE DATE	2022/04/08	14:05:49
EC NO:		701162	DRWN:	AKABADI	2021/10/06
INITIAL REVISION:			CHK'D:	RSTONE	2022/03/30
APPR:		BWOODMAN	2022/04/08		
DRWN:		NKUMAR01	14/07/09		
APPR:		JFMURPHY	14/07/09		
DOCUMENT NUMBER		SD-120086-132	DOC TYPE	PSD	DOC PART
CUSTOMER		GENERAL MARKET	REVISION	001	B
SHEET NUMBER		1 OF 1			



NANO-CHANGE CORDSET, M8  
3-5 POLE, MALE, STRAIGHT, 24 AWG

PRODUCT CUSTOMER DRAWING