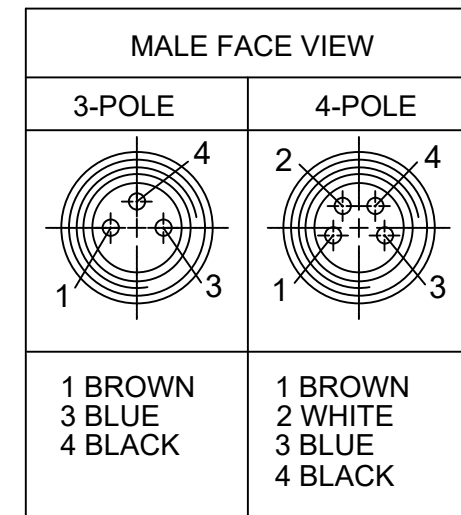
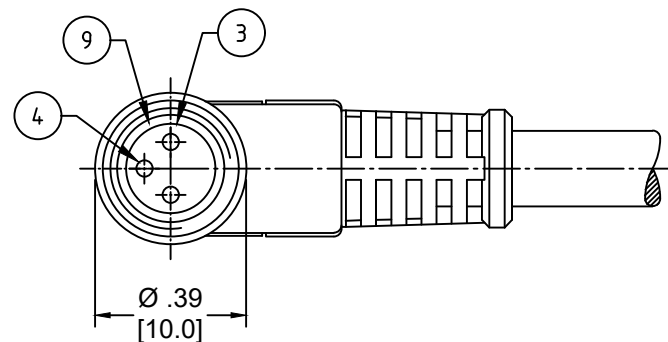
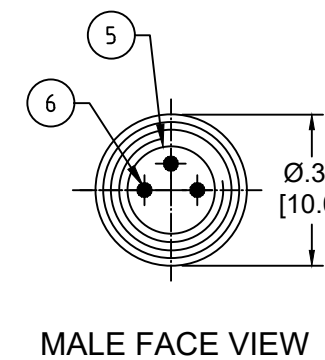
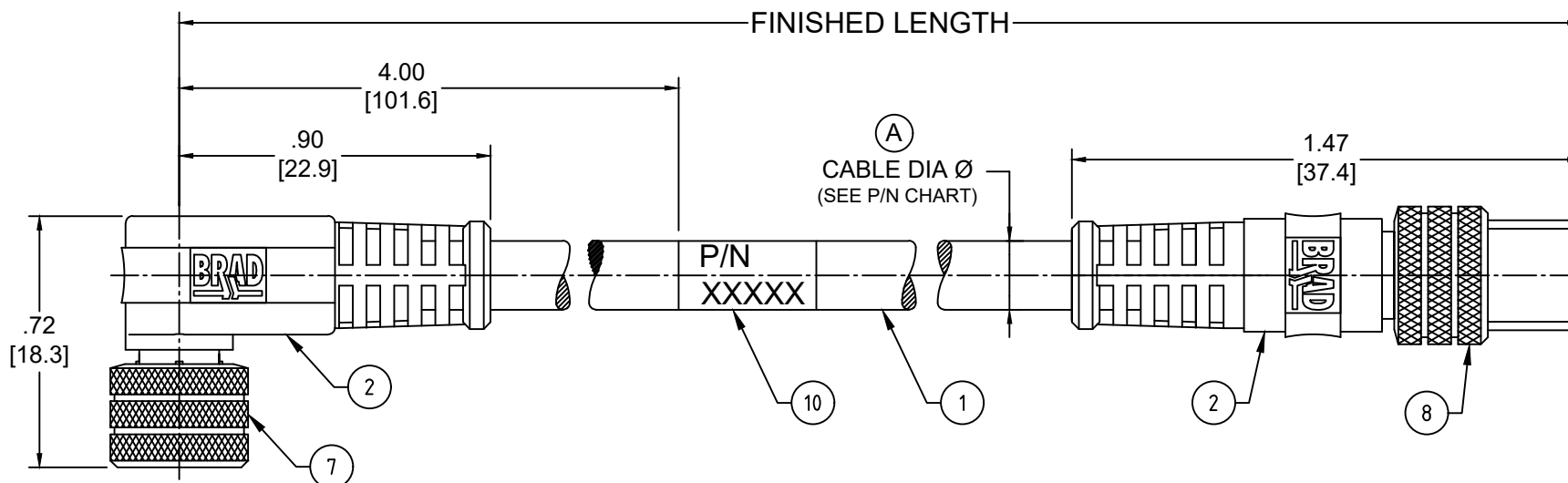


MATERIAL NUMBER	ENGINEERING NUMBER	FINISHED LENGTH	POLES	CABLE DIA
1200870242	443031A10M006	0.6M [2 FT]	3	.17 /4.3
1200870248	443031A10M050	5M [16 FT 5 IN]		
1200878583	444031A10M006	0.6M [2 FT]	4	.18/4.5
1200870107	444031A10M050	5M [16 FT 5 IN]		



- NOTES:
- MATERIAL: AS NOTED
 - FINISH: AS NOTED
 - ELECTRICAL:
VOLTAGE : 60VAC/75VDC
CURRENT: 4A (A)
 - TEMP RATING: -20° TO +105°C
 - PROTECTION: IP67 (WHEN MATED)
 - COUPLING THREAD: M8 X 1
 - UL LISTED FILE: E152210
CSA CERTIFIED FILE: LR6837
 - ALL DIMENSIONS ARE FOR REFERENCE UNLESS TOLERANCED OR NOTED OTHERWISE



FEMALE FACE VIEW

PART NUMBER LEGEND 443031A10M006

POLES
(3 & 4)

LENGTH
M001 = .1 METER
M010 = 1 METER
M100 = 10 METER

(A) CABLE LENGTH TOLERANCES

<.3M [1FT]:	+19mm-0 [+ .75in-0]
.3 - .9M [1 - 3FT]:	+44.5mm-0 [+1.75in-0]
.9 - 1.8M [3 - 6FT]:	+55.6mm-0 [+2.19in-0]
1.8 - 3.7M [6 - 12FT]:	+88.9mm-0 [+3.50in-0]
3.7 - 7.3M [12 - 24FT]:	+165.1mm-0 [+6.50in-0]
7.3-14.6M [24 - 48FT]:	+317.5mm-0 [+12.50in-0]
14.6 - 30.5M [48-100FT]:	+622.3mm-0 [+24.50in-0]
OVER 30M [100FT]:	+2% OF FINISHED LENGTH

10	WRAP LABEL	VINYL	BLACK/YELLOW
9	O-RING	VITON	RED
8	MALE COUPLING NUT	BRASS	NICKEL PLATED
7	FEMALE COUPLING NUT	BRASS	NICKEL PLATED
6	PIN CONTACT	COPPER ALLOY	GOLD OVER NICKEL
5	MALE INSERT	PUR	BLACK
4	SOCKET CONTACT	COPPER ALLOY	GOLD OVER NICKEL
3	FEMALE INSERT	PUR	BLACK
2	OVERMOLD	TPC	YELLOW
1	CABLE #24/3-4 AWG	PVC	YELLOW
ITEM	COMPONENT	MATERIAL	FINISH

FUNCTIONAL SYMBOLS FA=0 FE=0 FP=0	THIS DRAWING CONTAINS INFORMATION THAT IS PROPRIETARY TO MOLEX ELECTRONIC TECHNOLOGIES, LLC AND SHOULD NOT BE USED WITHOUT WRITTEN PERMISSION		CURRENT REV DESC: ITEM #2 WAS TPE. ITEM #10 WAS MYLAR. CURRENT WAS 3A. ADDED CABLE DIA & TOL CHART. MODIFIED PN CHART.	
	DIMENSION UNITS	SCALE	EC NO: 698297	
	INCH/MM	NTS	DRWN: ABENJAMINLW	2021/05/11
	GENERAL TOLERANCES (UNLESS SPECIFIED)		CHK'D: RSTONE	2022/03/16
		APPR: BWOODMAN	2022/03/26	
DIVISIONAL SYMBOLS	mm	INCH	INITIAL REVISION:	
4 PLACES ±----		±----	DRWN: REISSNER	2010/02/01
3 PLACES ±----		±----	APPR: FPACHER	2010/02/05
2 PLACES ±----		±----	ANGULAR TOL ± --- °	
1 PLACE ±----		±----	DRAFT WHERE APPLICABLE MUST REMAIN WITHIN DIMENSIONS	
0 PLACES ±----		±----	THIRD ANGLE PROJECTION	DRAWING
			SERIES	MATERIAL NUMBER
			A3-SIZE	120087
			CUSTOMER	SEE CHART
			GENERAL MARKET	
			SHEET NUMBER	1 OF 1