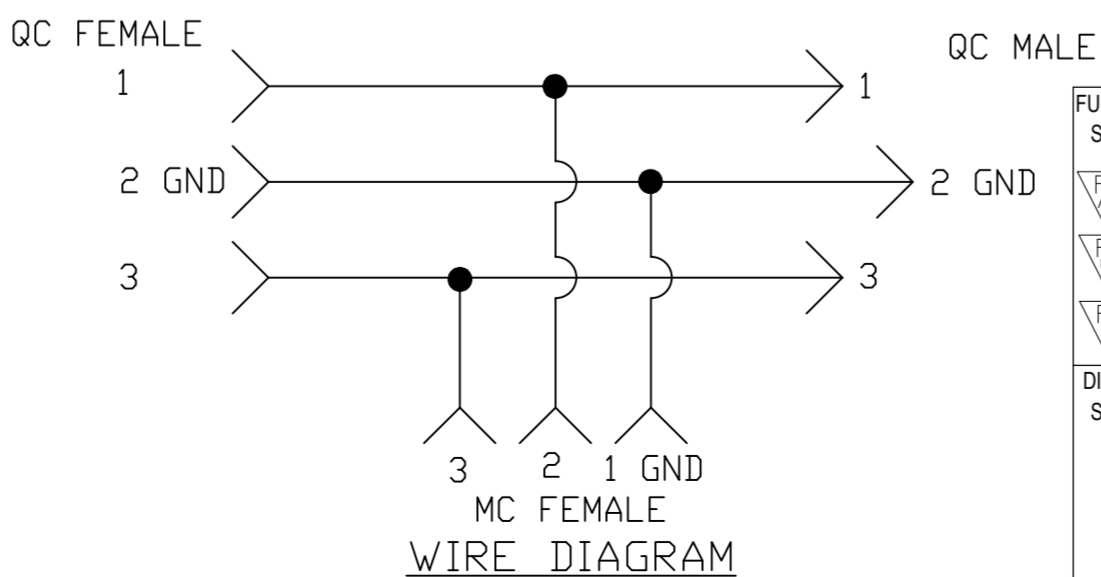
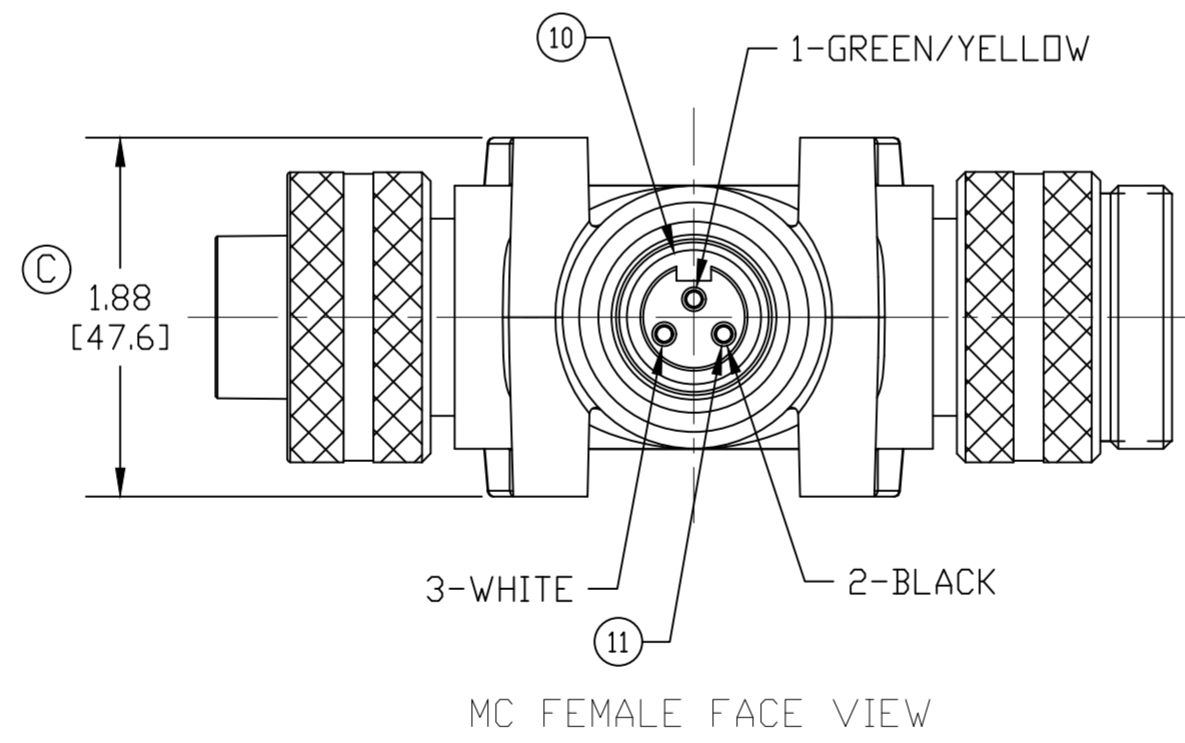
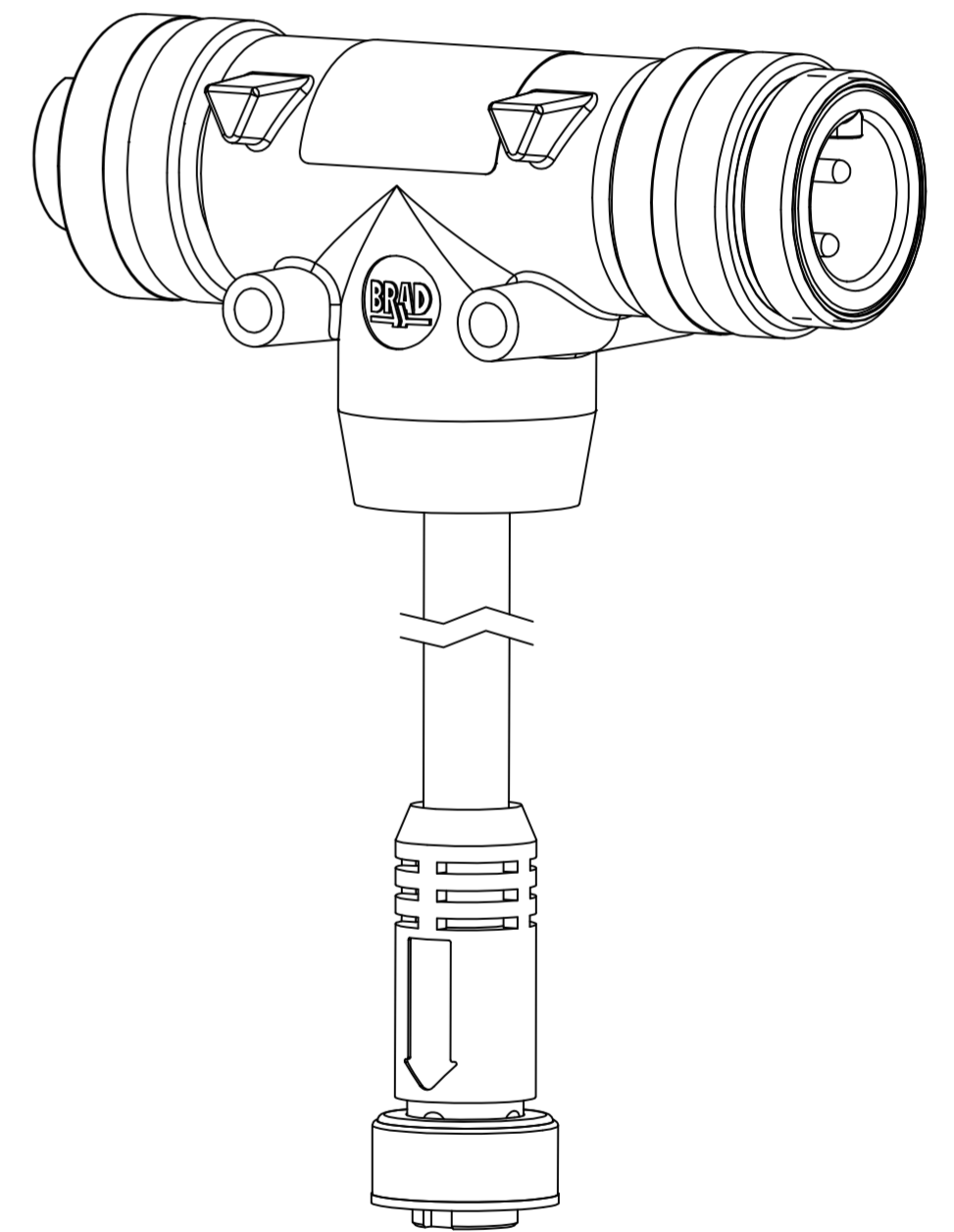
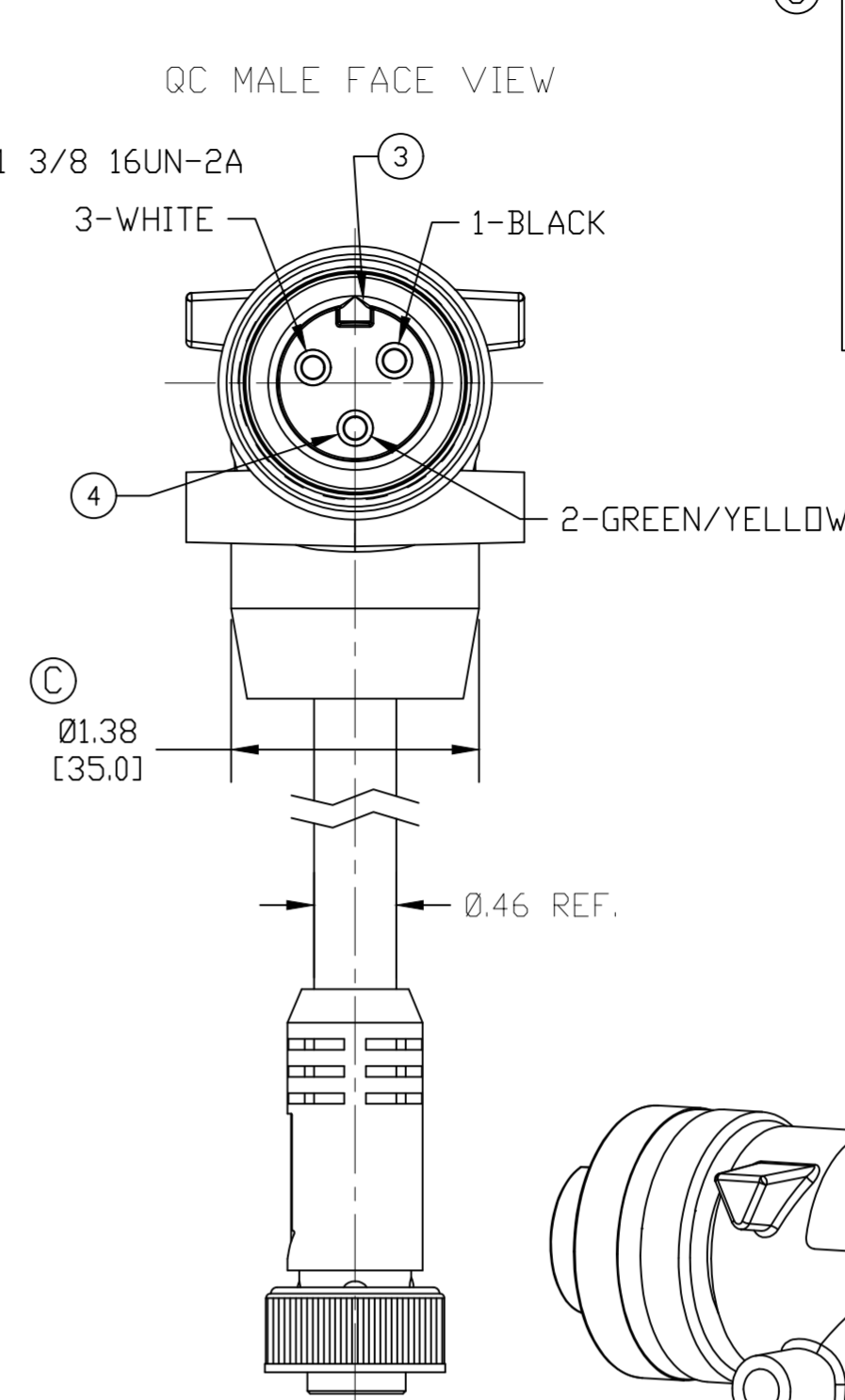
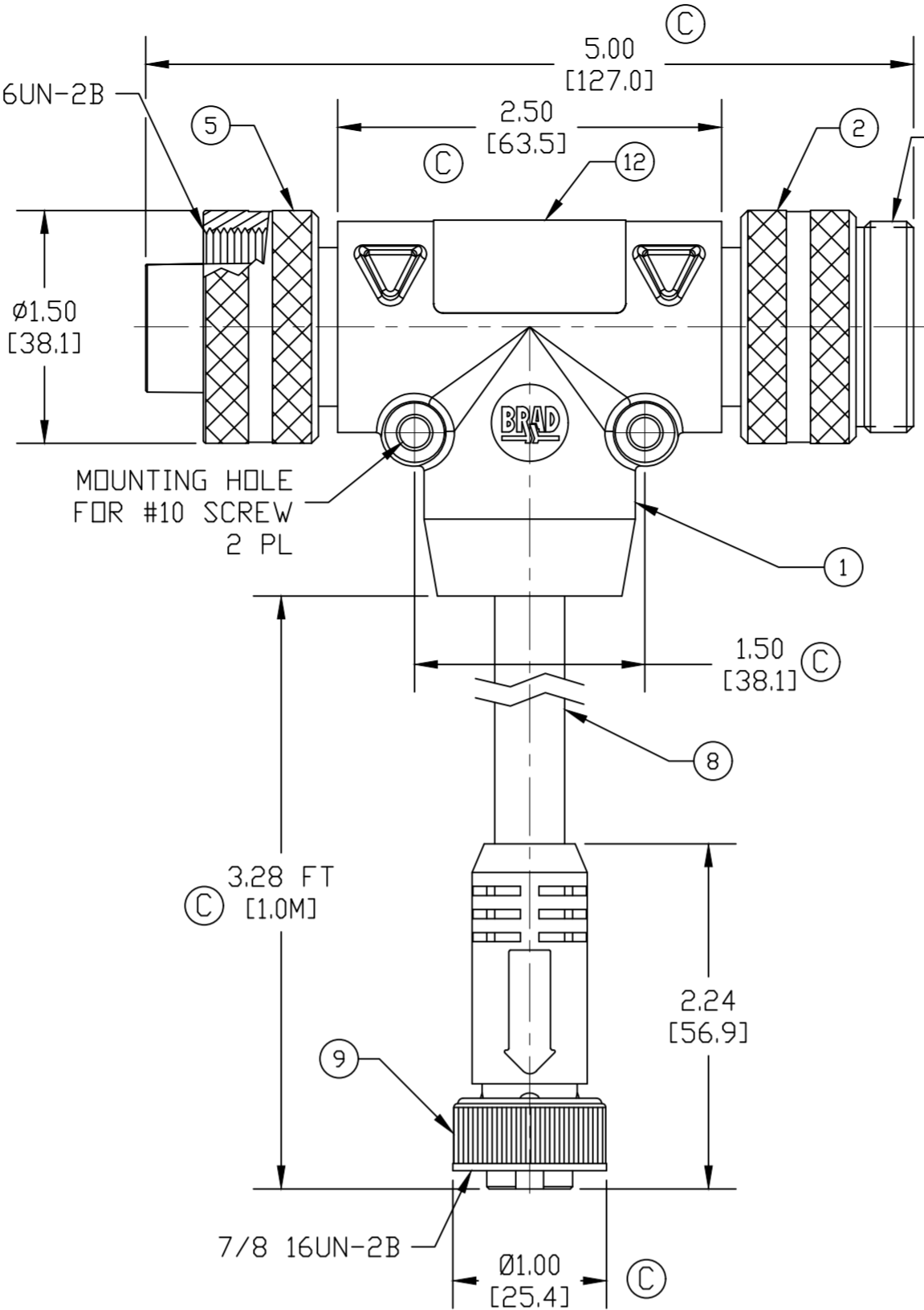
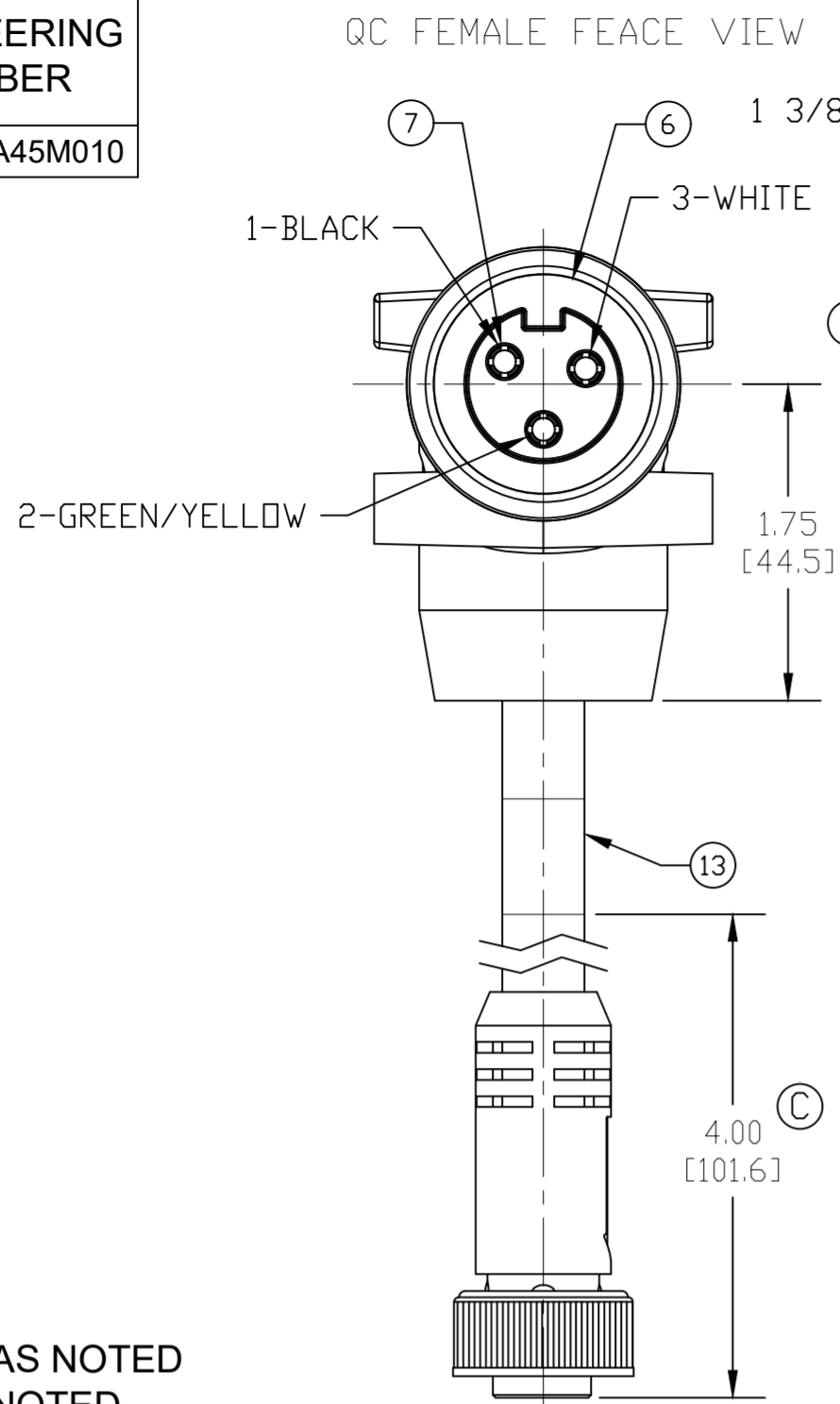


PART NUMBER	ENGINEERING NUMBER
1300680039	TC30200A45M010



CABLE LENGTH TOLERANCES

< 3M [1FT]	+19mm-0 [+0.75in-0]
.3 - .9M [1 - 3FT]	+44.5mm-0 [+1.75in-0]
.9 - 1.8M [3 - 6FT]	+55.6mm-0 [+2.19in-0]
1.8 - 3.7M [6 - 12FT]	+88.9mm-0 [+3.50in-0]
3.7 - 7.3M [12 - 24FT]	+165.1mm-0 [+6.50in-0]
7.3 - 14.6M [24 - 48FT]	+317.5mm-0 [+12.50in-0]
14.6 - 30.5M [48 - 100FT]	+622.3mm-0 [+24.50in-0]
OVER 30M [100FT]	+2% OF FINISHED LENGTH

- NOTES:**
- MATERIAL: AS NOTED
 - FINISH: AS NOTED
 - ELECTRICAL:
VOLTAGE: 500V PER IEC60664
600V PER UL2237
MAX THRU CURRENT: 32A
MAX DROP CURRENT: 13A
 - TEMP RATING: -20° TO +90°C
 - PROTECTION: IP67 (WHEN MATED)
 - CERTIFICATION:
UL LISTED/CSA CERTIFIED FILE NO: E258922
 - DIMS SHOWN ARE FOR REFERENCE UNLESS TOLERANCED OR NOTED OTHERWISE

13	WARNING LABEL (MC)	VINYL	BLACK/ORANGE
12	WARNING LABEL (TEE)	POLYESTER	BLACK/ORANGE
11	MC SOCKET CONTACT	COPPER ALLOY	GOLD PLATED
10	MC FEMALE INSERT	TPE	BLACK
9	MC COUPLING NUT	ZINC ALLOY	BLACK E-COAT
8	CABLE, 16AWG-3 TYPE TC-ER, STOOD	PVC	GRAY
7	QC SOCKET CONTACT	COPPER ALLOY	GOLD PLATED
6	QC FEMALE INSERT	TPE	BLACK
5	QC FEMALE COUPLING NUT	ALUMINUM	CLEAR ANODIZE
4	QC PIN CONTACT	COPPER ALLOY	GOLD PLATED
3	QC MALE INSERT	TPE	BLACK
2	QC MALE COUPLING NUT	ALUMINUM	CLEAR ANODIZE
1	OVERMOLD	TPE	GRAY
ITEM	DESCRIPTION	MATERIAL	FINISH

THIS DRAWING CONTAINS INFORMATION THAT IS PROPRIETARY TO MOLEX ELECTRONIC TECHNOLOGIES, LLC AND SHOULD NOT BE USED WITHOUT WRITTEN PERMISSION

FUNCTIONAL SYMBOLS	DIMENSION UNITS	SCALE	CURRENT REV DESC: INSERT AND O-MOLD CHANGED TO TPE, ADD NOTE 7, DIMS CHANGED TO IN/MM, ADD LENGTH TOLS
$\nabla=0$	INCH/MM	NTS	
$\nabla E=0$	GENERAL TOLERANCES (UNLESS SPECIFIED)		
$\nabla P=0$	mm	INCH	
DIVISIONAL SYMBOLS	4 PLACES	±----	±----
	3 PLACES	±----	±----
	2 PLACES	±----	±----
	1 PLACE	±----	±----
	0 PLACES	±----	±----
ANGULAR TOL	±	----	°
DRAFT WHERE APPLICABLE MUST REMAIN WITHIN DIMENSIONS	THIRD ANGLE PROJECTION	DRAWING	SERIES
		C-SIZE	130068

EC NO: 690918	2022/01/05	 BRAD POWER M35 3 POLE TEE WITH MINI-CHANGE 3 POLE 16AWG CABLE DROP	
DRWN: RSTONE	2022/01/27		
CHK'D: MZIELINSKI	2022/02/02		
APPR: BWOODMAN	2022/02/02	PRODUCT CUSTOMER DRAWING	
INITIAL REVISION:		DOCUMENT NUMBER	DOC TYPE/DOC PART/REVISION
DRWN: KJOZWIK	2010/01/15	SD-130068-013	PSD 001 C
APPR: JFMURPHY	2010/01/20	MATERIAL NUMBER	CUSTOMER
		SEE P/N CHART	GENERAL MARKET
			SHEET NUMBER
			1 OF 1