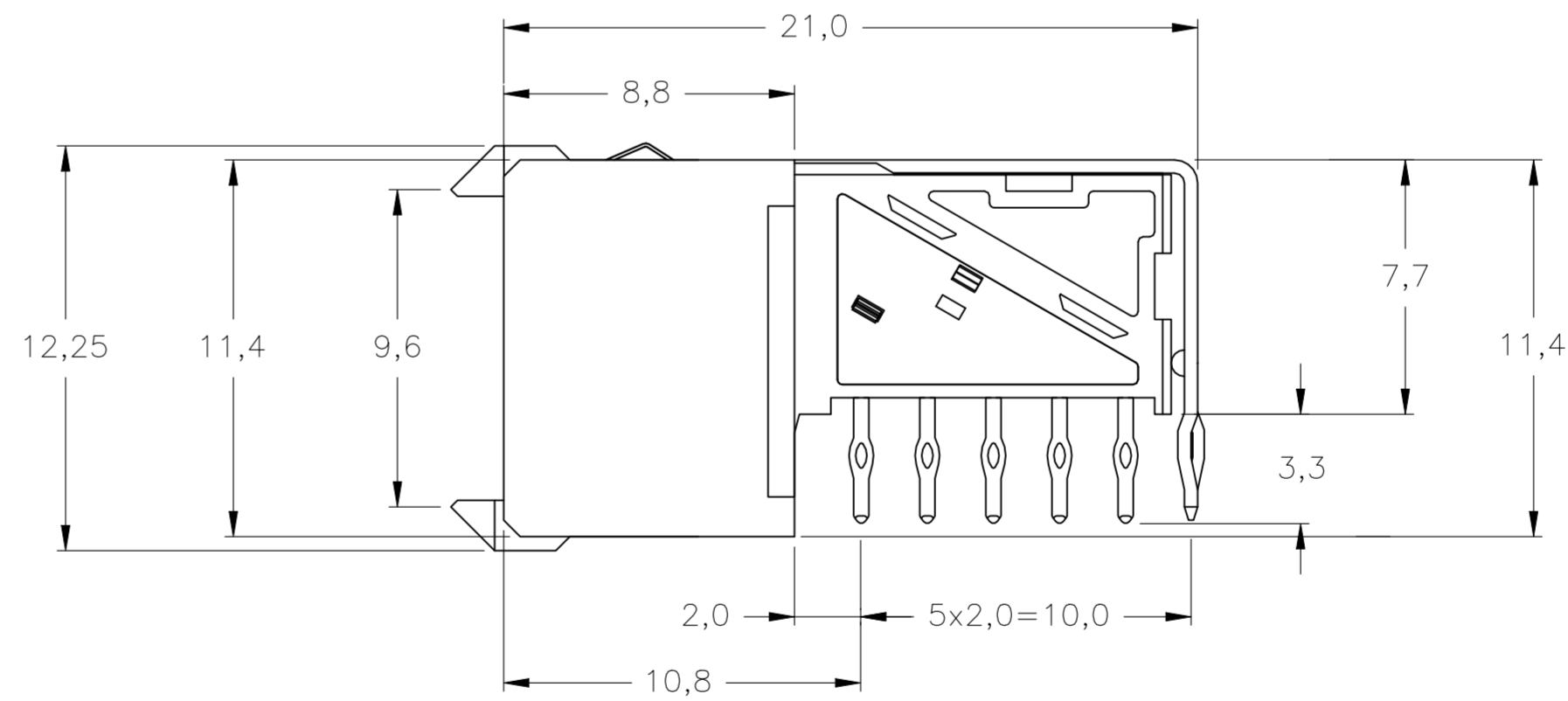
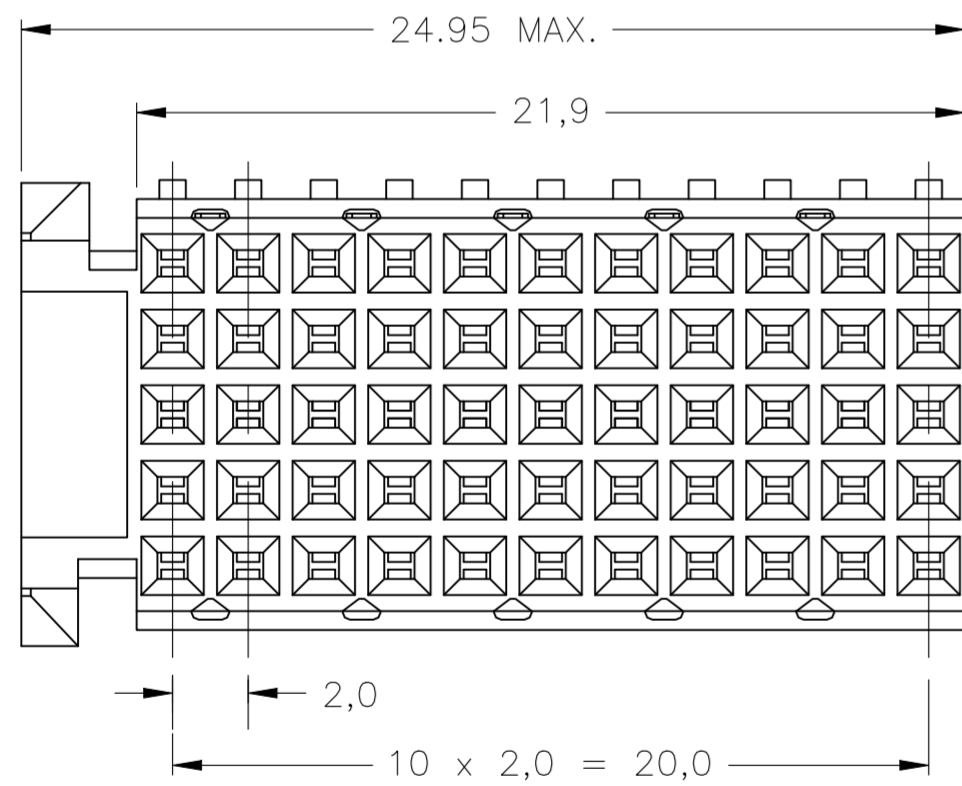
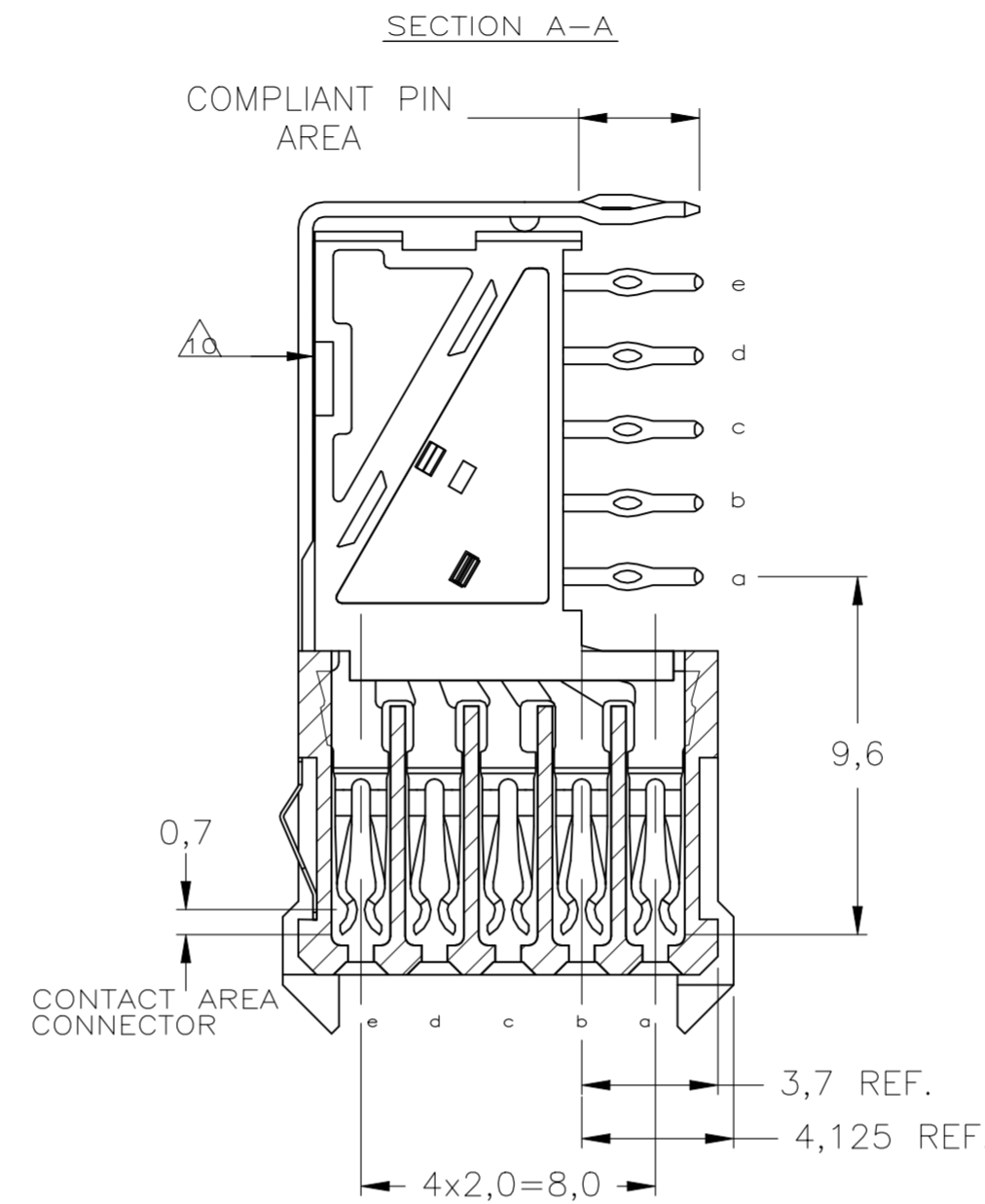
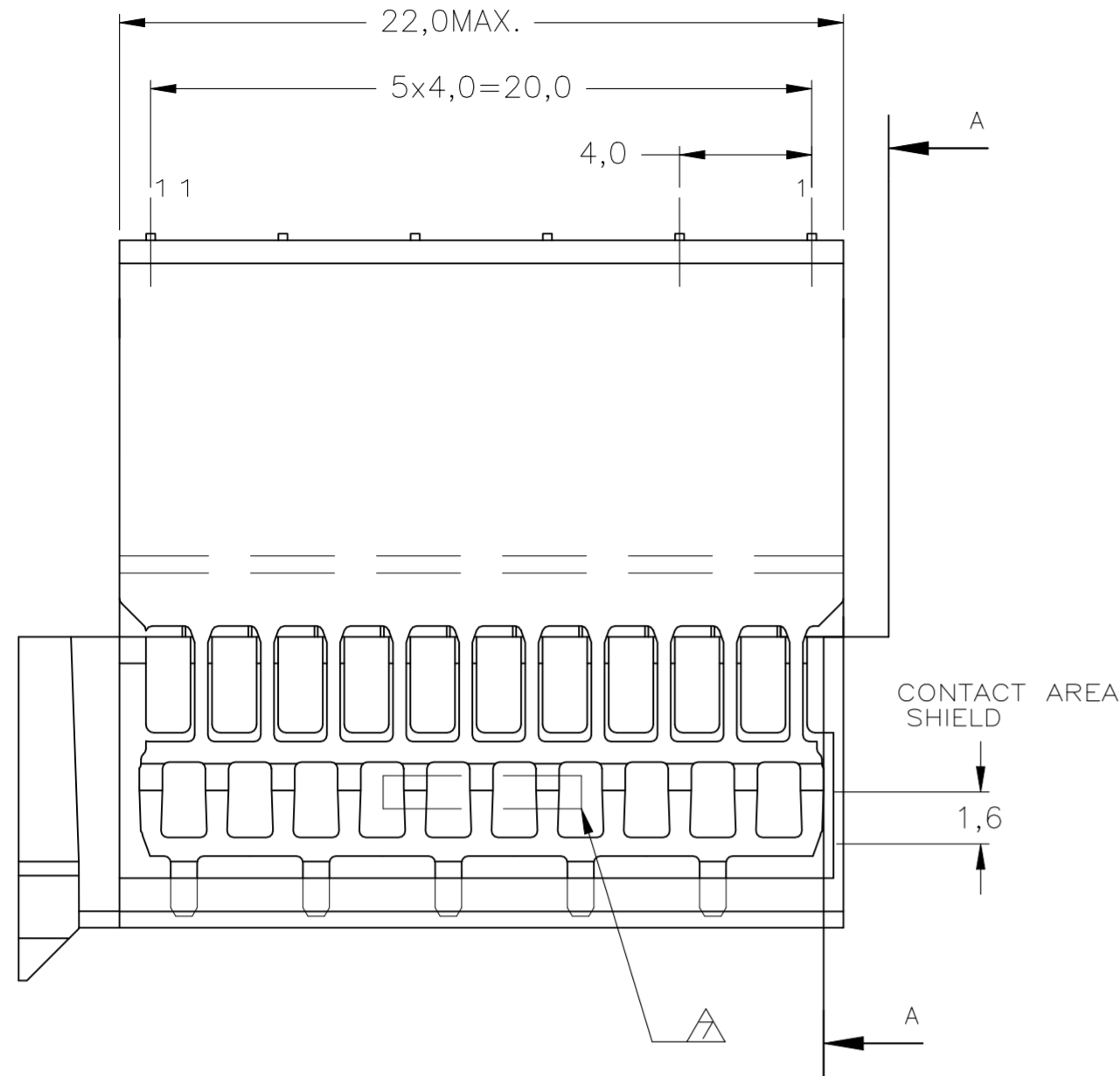


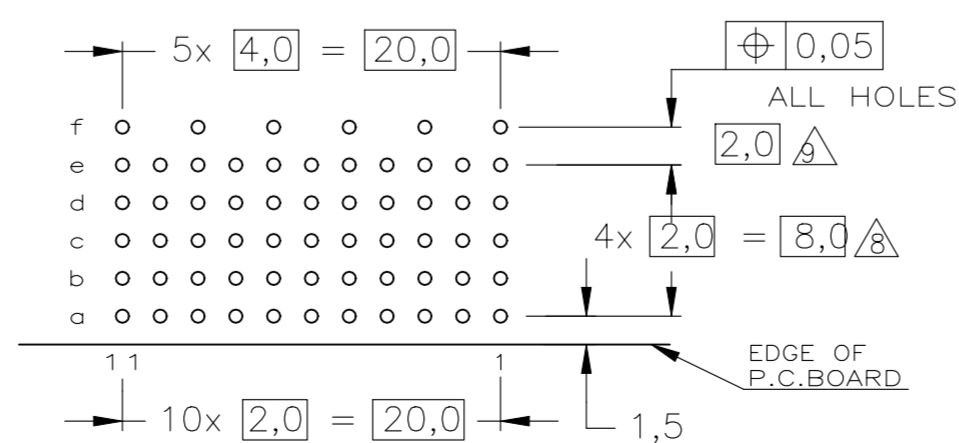
REVISIONS					
P	LTR	DESCRIPTION	DATE	DWN	APVD
D		ECR-21-116716	19JUN2022	TL	HL

NOTES:

- ⚠ MATERIAL CONTACTS; PHOSPHORBRONZE
MATERIAL SHIELD ; PHOSPHORBRONZE
MATERIAL HOUSING; GLASSFILLED POLYESTER (GRAY)
- ⚠ GENERAL PLATING SPECIFICATION: UNDERPLATING (ENTIRE CONTACT):
1,27µm NICKEL MIN. AND COMPLIANT PIN SECTION: 0,5µm TIN MIN.
FOR PLATING OF MATING SURFACES SEE APPLICABLE
SPECIFICATION REFERENCE FOR EACH DASH NUMBER.
- ⚠ CONFORMS TO ALL TESTING ACCORDING IEC 61076-4-101 PERFORMANCE LEVEL 2.
- ⚠ CONFORMS TO ALL TESTING ACCORDING IEC 61076-4-101 PERFORMANCE LEVEL 1.
- ⚠ CONNECTOR TESTED AND QUALIFIED AGAINST TELCORDIA GR-1217-CORE
QUALITY LEVEL III, CENTRAL OFFICE APPLICATIONS.
- ⚠ CONNECTOR LUBRICATED WITH TELCORDIA GR-1217-CORE APPROVED LUBRICANT.
- ⚠ ASSEMBLY PRINTED WITH P/N AND DATECODE
THE MARKING CAN APPEAR ON THE FRONT SIDE OR BACK SIDE.
- ⚠ HOLE PATTERN FOR FEMALE CONNECTOR TYPE C
55 PLATED-THROUGH HOLES AT 2x2mm SQUARE GRID
ROW "f" 6 PLATED THROUGH HOLES FOR UPPERSHIELD
- ⚠ SHIELD MOUNTED ON CONNECTOR WITH DOUBLE SIDED
ADHESIVE TAPE OR ADHESIVE.
- 11 FITS WITH LOWERSHIELD, BASIC PARTNUMBER : 5352112.



COMPONENT SIDE AS SHOWN
RECOMMENDED PCB-HOLE LAY-OUT
SCALE 2,5:1



P.C.B. HOLE DIM. COMPLIANT PIN
FOR DETAILS SEE
APPLICATION SPECIFICATION

THIS DRAWING IS A CONTROLLED DOCUMENT.

DIMENSIONS:	TOLERANCES UNLESS OTHERWISE SPECIFIED:
mm	±0.2
MATERIAL	FINISH
-	-

DWN	J.van Hoek	23AUG2007	NAME	TE Connectivity Ltd.		
CHK	B.Mooij	23AUG2007	PRODUCT SPEC	Z-PACK 2mm HM		
APVD	J.Broeksteeg	23AUG2007	APPLICATION SPEC	TYPE C - 11 COLUMNS		
PRODUCT SPEC	108-19082		SIZE	CAGE CODE	DRAWING NO	RESTRICTED TO
APPLICATION SPEC	114-19029		WEIGHT	A2	00779	—
CUSTOMER DRAWING	0.000000		SCALE	5:1	SHEET	1 of 1
						REV D