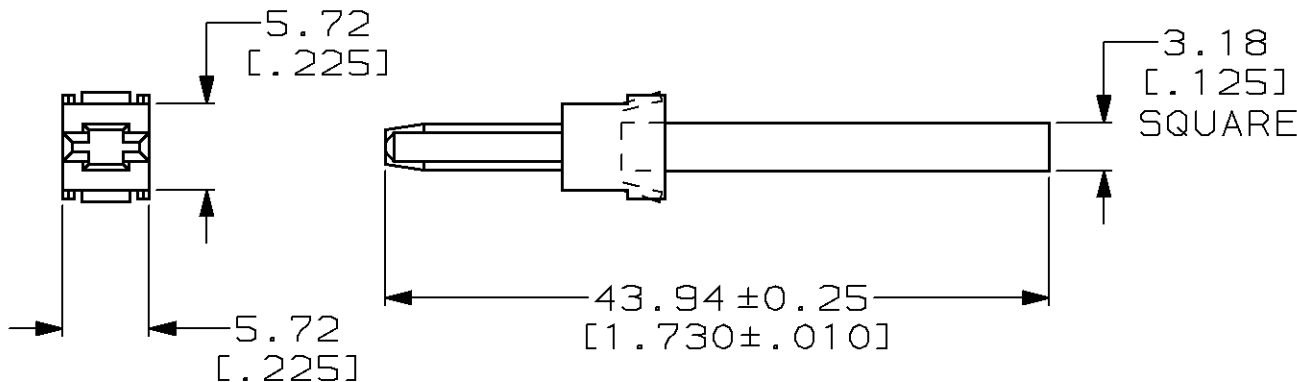


MOD 4	LOC BD	DIST 35	REVISIONS					
P	F	LTR	DESCRIPTION	DATE	APPROVED			
		B	REDRAWN W/O CHANGE PER EC 0020-600-94	06/16/94	AF			



THIS DRAWING IS UNPUBLISHED. BY AMP INCORPORATED. ALL INTERNATIONAL RIGHTS RESERVED. © COPYRIGHT 19

207597-1

PART NO

DO NOT SCALE PRINT. UNLESS SPECIFIED DIMENSIONS IN mm [IN] TOLERANCES ON:
 2 PLC DEC ± 0.13 [.005]
 3 PLC DEC ± -
 ANGLES ± -
 MATERIAL FLAME RETARDANT THERMOPLASTIC
 COLOR: BLACK
 FINISH -

DR 06/16/94
K.FOLTZ
 CHK 06/23/94
R.STONE
 APPD 08/09/94
A.FRANTUM
 APPD 08/09/94
A.FRANTUM
 PRODUCT SPEC -
 APPLICATION SPEC -
 WEIGHT -

AMP AMP Incorporated
 Harrisburg, PA 17105-3608

NAME
 KEYING PLUG, TYPE XII,
 CPC (FOR PIN HALF)

SIZE A	CAGE CODE 00779	DRAWING NO C-207597
SCALE 2:1	SHEET 1 OF 1	