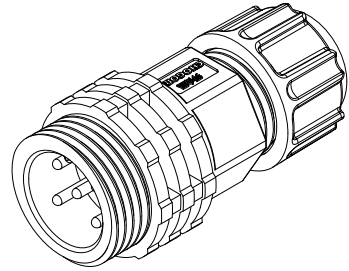
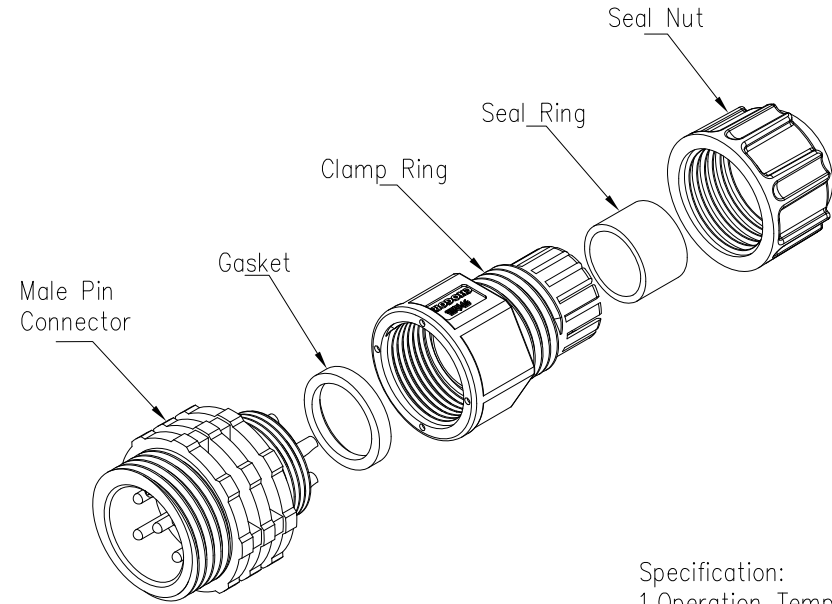
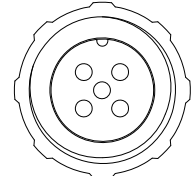
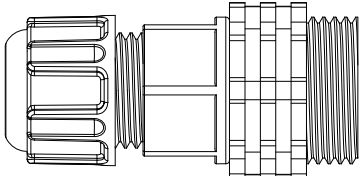
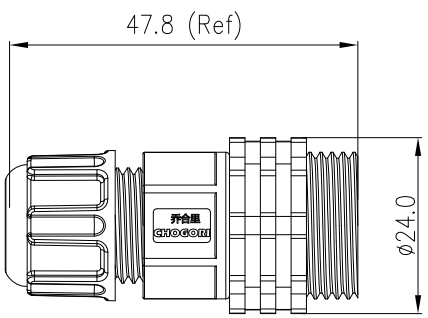


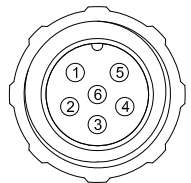
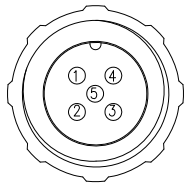
THIS INFORMATION IS CONFIDENTIAL AND IS DISCLOSED TO YOU ON CONDITION THAT NO FURTHER DISCLOSURE IS MADE BY YOU TO OTHER THAN CHOGORI PERSONNEL WITHOUT AUTHORIZATION FROM CHOGORI CORP.

REV.	ECN NO.	DESCRIPTION	SIGN	DATE
C1	N/A	INITIAL DRAWING	Hary	2020/05/19



- Specification:
- 1.Operation Temperature: -45°C~105°C.
  - 2.Insulation Resistance:100MΩ at DC500V.
  - 3.Contact Resistance:<10mΩ
  - 4.Withstand Voltage: 1500V AC
  - 5.Operating Current:10A
  - 6.Operating Voltage: AC 125V
  - 7.Waterproof Rate:IP67 (Mated)
  - 8.Seal Nut:Nylon, Black
  - 9.Seal Ring:Silicon, Black.
  - 10.Clamp Ring:Nylon, Black
  - 11.Gasket:Silicon, Red
  - 12.Male Pin:Copper Alloy, Gold Plated
  - 13.Connector:Nylon+GF, Black
  - 14.RoHS Compliant.
  - 15.Mating Cap: 806-00052-00

23XXX311-XX Cable Range OD  
 01 OD: φ3.5mm~φ6.5mm  
 02 OD: φ6.5mm~φ9.5mm  
 Pin Number



5 Pin

6 Pin

P/N: 23005311-XX

P/N: 23006311-XX

Pin Assignments Front View

UNIT:mm		DESCRIPTION
TOLERANCE		Middle Series Screw
.X	±0.25	Female Plug With Male Pin
.XX	±0.15	
.XXX	±0.05	
ANGLES	±1°	
SCALE:	1:1	SHEET 1 OF 1
REV.	C1	SIZE A4 * :Inspection Item



PART NO	23XXX311-XX	DRAWN BY	Hary	DATE	2020/05/19
DWG NO		CHECKED BY	Mo	DATE	2020/05/19
CUSTOMER		APPROVED BY	Panson	DATE	2020/05/19