

PV string monitoring module - SCK-M-I-8S-20A - 2903241


Please be informed that the data shown in this PDF Document is generated from our Online Catalog. Please find the complete data in the user's documentation. Our General Terms of Use for Downloads are valid (<http://phoenixcontact.com/download>)



SCK measuring module for monitoring photovoltaic systems, 8 x current measurement up to 20 A, 1 x digital input, interface to SCK communication module, interface to voltage measuring module



Key Commercial Data

| | |
|--------------|---|
| Packing unit | 1 pc |
| GTIN |  4 046356 729703 |
| GTIN | 4046356729703 |

Technical data

Note

| | |
|-------------------------|---|
| Utilization restriction | EMC: class A product, see manufacturer's declaration in the download area |
|-------------------------|---|

Dimensions

| | |
|--------|----------|
| Width | 22.5 mm |
| Height | 102 mm |
| Depth | 128.5 mm |

Ambient conditions

| | |
|---|---|
| Ambient temperature (operation) | -20 °C ... 70 °C |
| Ambient temperature (storage/transport) | -40 °C ... 85 °C |
| Maximum altitude | ≤ 2000 m |
| Permissible humidity (operation) | ≤ 95 % (non-condensing) |
| Degree of protection | IP20 |
| Noise immunity | EN 61000-6-2 When being exposed to interference, there may be minimal deviations. |

Input data

| | |
|------------------|-------------------------|
| Input | Current measuring input |
| Number of inputs | 8 |

PV string monitoring module - SCK-M-I-8S-20A - 2903241

Technical data

Input data

| | |
|---------------------|--|
| Input current range | 0 A DC ... 20 A (UL: 0 A DC...25 A DC) |
| Overload capacity | 5 × I _N |
| Connection method | Through connection, 9.5 mm diameter |

Switching output

| | |
|-------------|---------------------|
| Output name | No switching output |
|-------------|---------------------|

Power supply

| | |
|-------------------------|------------------|
| Nominal supply voltage | Via SCK-C-MODBUS |
| Own current consumption | 43 mA (typical) |
| | 50 mA (maximum) |

Connection data

| | |
|----------------------------------|---|
| Connection method | Screw connection |
| Conductor cross section solid | 0.2 mm ² ... 2.5 mm ² |
| Conductor cross section flexible | 0.2 mm ² ... 2.5 mm ² |
| Conductor cross section AWG | 24 ... 12 |
| Torque | 0.5 Nm ... 0.6 Nm |

General

| | |
|-------------------------------|---|
| Electromagnetic compatibility | Conformance with EMC directive 2004/108/EC and for low-voltage directive 2006/95/EC |
| Noise emission | EN 61000-6-4 |
| Noise immunity | EN 61000-6-2 When being exposed to interference, there may be minimal deviations. |
| Conformance | CE-compliant |
| UL, USA | 1741 Recognized |
| UL, USA/Canada | 508 Listed |

Standards and Regulations

| | |
|----------------------------------|---|
| Electromagnetic compatibility | Conformance with EMC directive 2004/108/EC and for low-voltage directive 2006/95/EC |
| Noise emission | EN 61000-6-4 |
| Connection in acc. with standard | UL |
| Standards/regulations | EN 61010-1 |
| Degree of pollution | 2 |
| Conformance | CE-compliant |
| UL, USA | 1741 Recognized |
| UL, USA/Canada | 508 Listed |

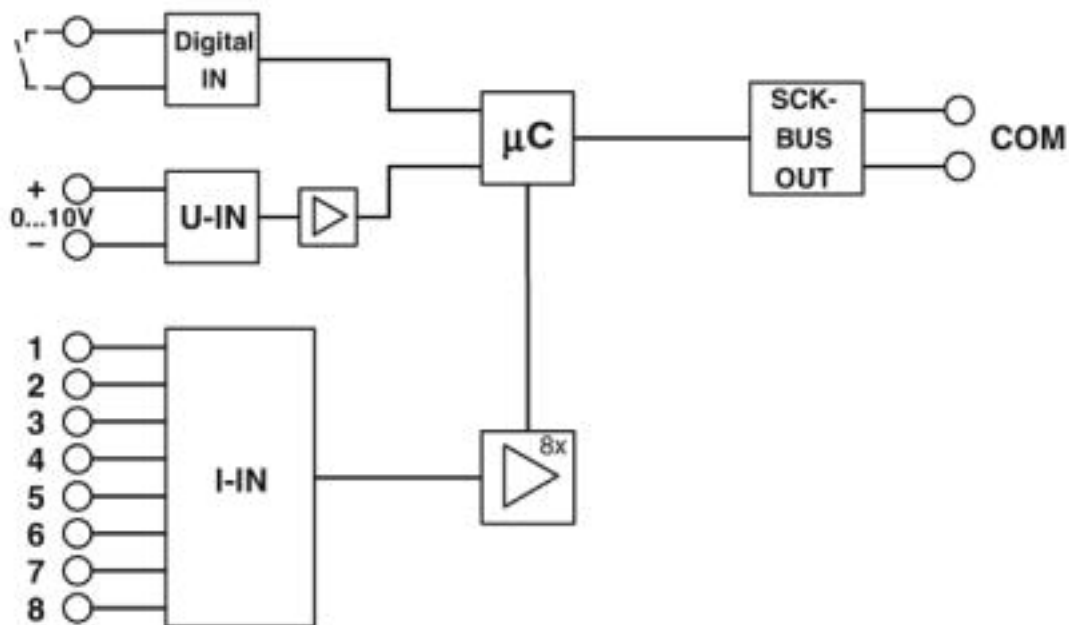
Environmental Product Compliance

| | |
|------------|---|
| REACH SVHC | Lead 7439-92-1 |
| China RoHS | Environmentally Friendly Use Period = 50 |
| | For details about hazardous substances go to tab "Downloads", Category "Manufacturer's declaration" |

PV string monitoring module - SCK-M-I-8S-20A - 2903241

Drawings

Block diagram



Approvals

Approvals

Approvals

UL Listed / UL Recognized / cUL Listed / EAC / cULus Listed

Ex Approvals

Approval details


| | | | |
|-----------|--|---|---------------|
| UL Listed | | http://database.ul.com/cgi-bin/XYV/template/LISEXT/1FRAME/index.htm | FILE E 140324 |
|-----------|--|---|---------------|

| | | | |
|---------------|--|---|---------------|
| UL Recognized | | http://database.ul.com/cgi-bin/XYV/template/LISEXT/1FRAME/index.htm | FILE E 325209 |
|---------------|--|---|---------------|

PV string monitoring module - SCK-M-I-8S-20A - 2903241

Approvals

| | | | |
|------------|---|---|---------------|
| cUL Listed |  | http://database.ul.com/cgi-bin/XYV/template/LISEXT/1FRAME/index.htm | FILE E 140324 |
|------------|---|---|---------------|

| | | |
|-----|---|--------------------------|
| EAC |  | RU C- DE.A*30.B.01082 |
|-----|---|--------------------------|

| | |
|--------------|---|
| cULus Listed |  |
|--------------|---|

Phoenix Contact 2019 © - all rights reserved
<http://www.phoenixcontact.com>

PHOENIX CONTACT GmbH & Co. KG
Flachsmarktstr. 8
32825 Blomberg
Germany
Tel. +49 5235 300
Fax +49 5235 3 41200
<http://www.phoenixcontact.com>