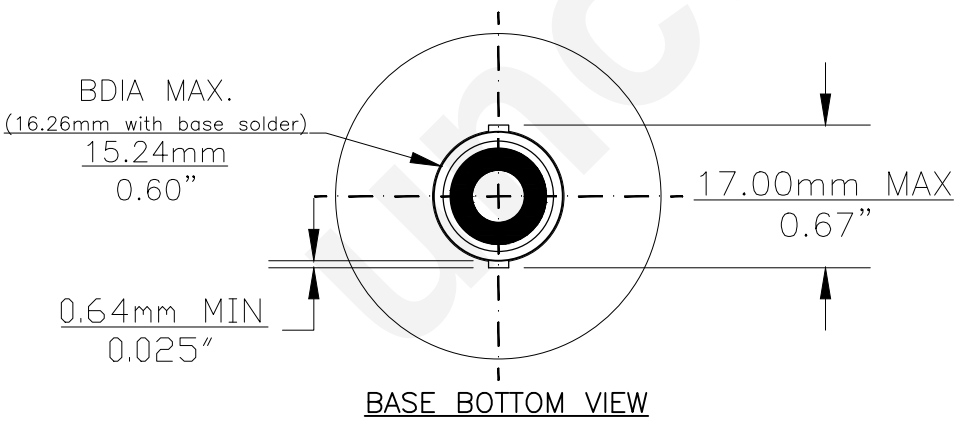
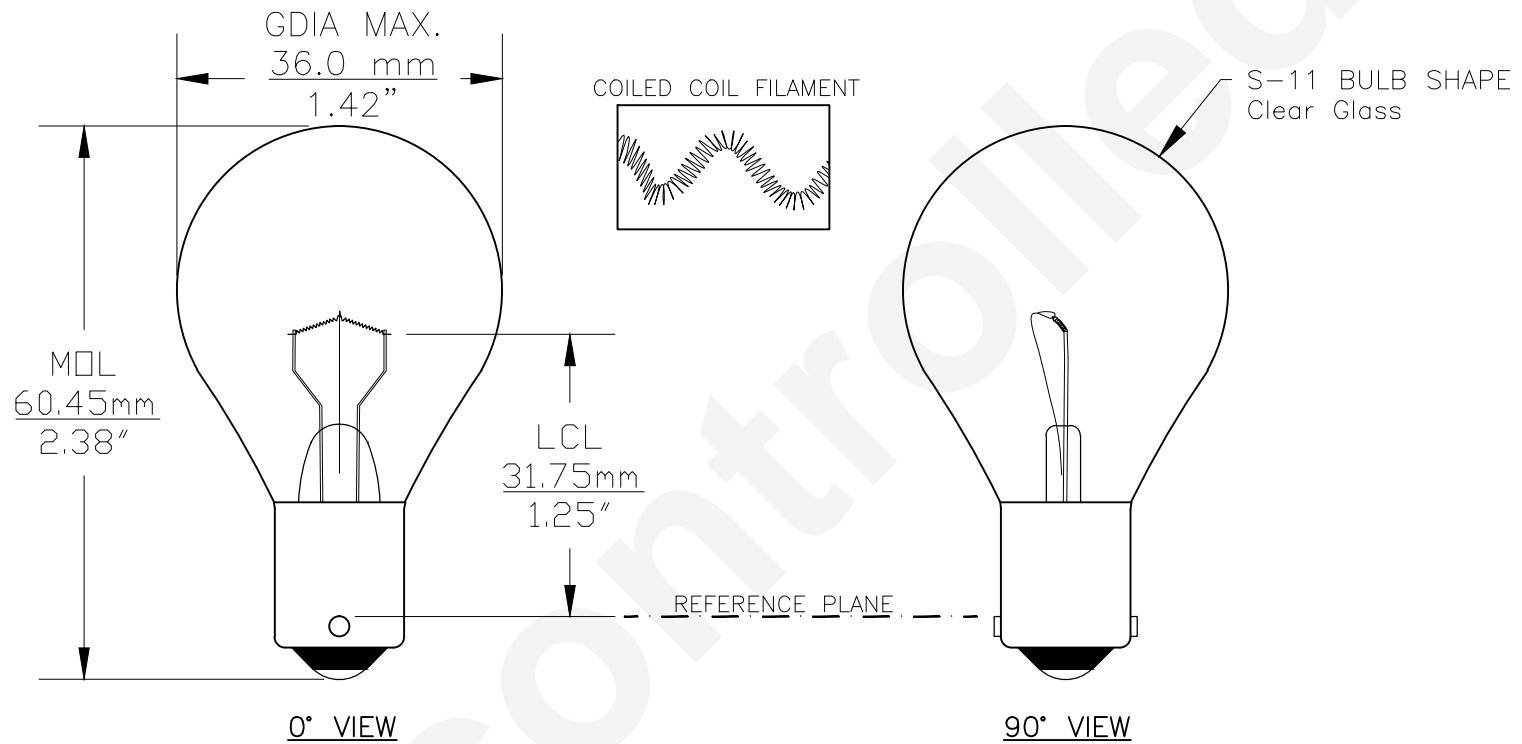




Since 1959

PART NO.	BASE TYPE	DESIGN VOLTS	DESIGN AMPS	MSCD	FILAMENT TYPE	AVERAGE LIFE HOURS	REVISIONS			
							REV #	DESCRIPTION	DATE	APPROVED
3011	S.C. Bayonet (BA15s)	28.0V	1.29±15%	44±30%	CC-2V	1000	1	ISSUED	10/31/2014	R.M.
							2	REVISED TO CHANGE BASE STYLE	02/28/2018	R.M.



Note: Made according to SAE specifications



UNLESS OTHERWISE SPECIFIED: DIMENSIONS ARE IN INCHES TOLERANCES		CEC INDUSTRIES LTD			
DECIMALS	ANGULAR	699 BOND STREET		LINCOLNSHIRE, IL 60069	
.XX ± .05	± 0.5°	TITLE		LIGHT BULB NO. 3011	
.XXX ± .010		SIZE	FSCM NO.	DWG NO.	REV
FRACTIONAL	± 1/64	A		3011	2
DRAWN	DATE	SCALE	PLOT SCALE	SHEET 1 OF 1	
ROSE MEDINA	10/31/2014				
CHECKED		FILE	DRAWING NOT TO SCALE		
DESIGN		3011.pdf			
MATERIAL					