

© - TE Connectivity. All Rights Reserved.

REVISIONS

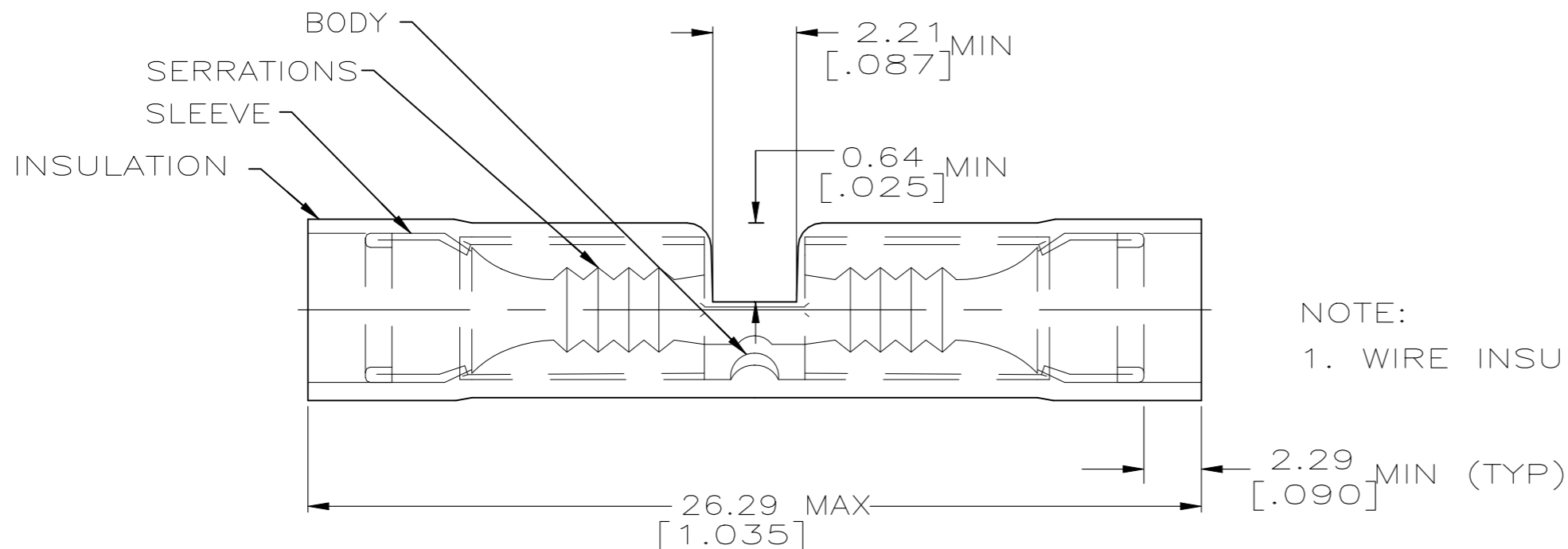
P	LTR	DESCRIPTION	DATE	DWN	APVD
	M3	REVISED PER ECN-22-156403	03JUN2022	RK	CSD

AMP
WIRE RANGE

24-20 AWG
STRANDED

METRIC

DIMENSIONS LISTED IN mm [INCHES]



NOTE:
1. WIRE INSULATION DIA 1.02[.040] TO 2.54[.100]

-	2500	ON TAPE	2-323975-3
M7928/5-2 CLASS 1	50	LOOSE PIECE	323975
MILITARY PART NUMBER & CLASS PER MIL-T-7928	QTY	PACKAGE TYPE	PART NO

AMP INCORPORATED CUSTOMER SERVICE SYSTEMS	
FOR ADDITIONAL PRODUCT INFORMATION OR COPIES OF DRAWINGS AND TECHNICAL DOCUMENTS	PRODUCT INFORMATION CENTER 1-800-522-6752
FOR APPLICATION TOOLING INFORMATION	TOOLING ASSISTANCE CENTER 1-800-722-1111
FOR ORDER ENTRY	1-800-526-5142

MAX RECOMMENDED OPERATING TEMPERATURE: 105° C
VOLTAGE RATING: -
CIRCULAR MIL AREA: 0.16 - 0.65mm ² [320-1,290] STRANDED

THIS DRAWING IS A CONTROLLED DOCUMENT.	
DIMENSIONS: mm[INCHES]	TOLERANCES UNLESS OTHERWISE SPECIFIED: 0 PLC ± - 1 PLC ± - 2 PLC ± 0.20[.008] 3 PLC ± - 4 PLC ± - ANGLES ± -
MATERIAL COPPER PER ASTM B-152 NYLON, COLOR:NATURAL	FINISH TIN PLATE PER MIL-T-10727

DWN S.S. GOULDEN 9-28-93	TE TE Connectivity			
CHK R. HERSEY 9-28-93				
APVD S. BORTNER 9-28-93				
PRODUCT SPEC -	NAME SPLICE, BUTT, P.I.D.G., WIRE SIZE: 24-20 AWG			
APPLICATION SPEC -	SIZE A3	CAGE CODE 00779	DRAWING NO C-323975	RESTRICTED TO -
WEIGHT -	CUSTOMER DRAWING			SCALE NTS
			SHEET 1 OF 1	REV M3