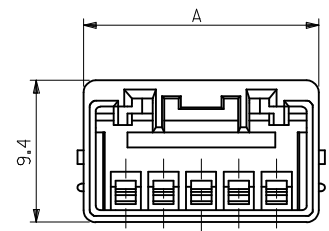
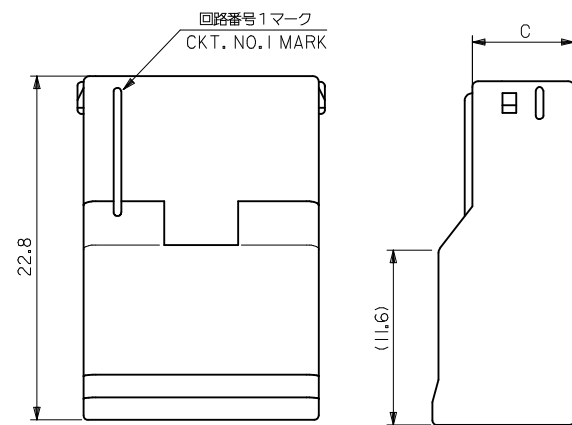
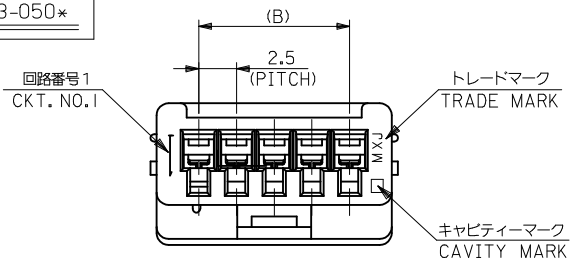
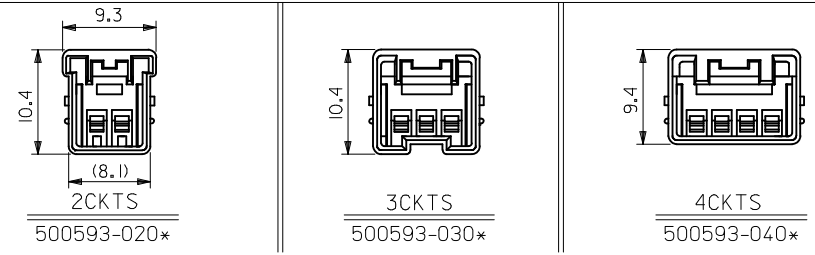


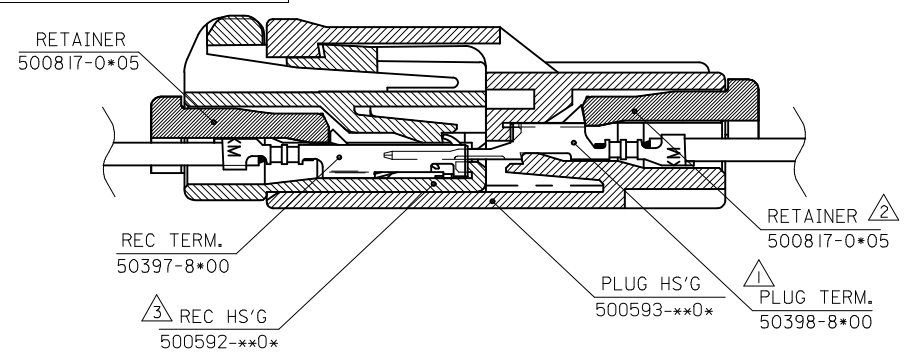
SHAPE OF
500593-050*



4種以下での極数レイアウト図
LAYOUT OF 2/3/4CKTS.



ターミナル装着状態図
TERMINAL ASSEMBLY DRAWING



- 注記
NOTES
- ① 適合ターミナル：50398シリーズ
APPLICABLE TERMINAL：50398 SERIES
 - ② 適合リテーナー：500817シリーズ
APPLICABLE RETAINER：500817 SERIES
 - ③ 嵌合相手：500592シリーズ
MATE WITH：500592 SERIES
4. 材質：PBT (UL94V-0)
MATERIAL：PBT(UL94V-0)


5. MATERIAL NO. は以下の内容を示す。
MATERIAL NO. :

500593-**0*

極数 CKT	色 COLOR
0	0:自然色 NATURAL
1	1:黒 BLACK
2	2:赤 RED
3	3:黄色 YELLOW
4	4:青 BLUE
6	6:緑 GREEN

REVISED EC NO: J2015-1396 DR:WAKAMATSUYAMA 2015/04/14 CHKD:KASAKAWA 2015/04/17 APPR:KASAKAWA 2015/04/17	GENERAL TOLERANCES (UNLESS SPECIFIED)		DIMENSION STYLE MM ONLY		SCALE 3:1	500593-**0*	MODEL NO.	
	0.25 UNDER ±0.03		DRAWN BY DATE		TITLE	2.5MM WIRE TO WIRE CONN. PLUG HOUSING	THIRD ANGLE PROJECTION	
	0.25 OVER 0.5 UNDER ±0.05		J. MUMEDA 2005/04/07					
	0.5 OVER 1.0 UNDER ±0.1		CHECKED BY DATE					
1.0 OVER 10 UNDER ±0.2		K. TOYODA 2005/04/07						
10 OVER 30 UNDER ±0.25		APPROVED BY DATE			DOCUMENT NO.	SHEET NO.		
30 OVER ±0.3		KASAKAWA 2015/04/17						
ANGULAR ±3 °		MATERIAL NO.						
DRAFT WHERE APPLICABLE MUST REMAIN WITHIN DIMENSIONS		SIZE A3		SEE CHART			SD-500593-001	1 OF 2
THIS DRAWING CONTAINS INFORMATION THAT IS PROPRIETARY TO MOLEX INCORPORATED AND SHOULD NOT BE USED WITHOUT WRITTEN PERMISSION								

500592-080*	500817-0805	6.75	17.5	23.1	8	500593-0806	— // —	— // —	— // —	— // —	500593-0800	500593-**0*
∠ -070*	∠ -0705	∠ 15	20.6	7	— // —	— // —	— // —	— // —	— // —	— // —	∠ -0700	
-060*	-0605	∠ 12.5	18.1	6	— // —	— // —	— // —	— // —	— // —	— // —	∠ -0600	
-050*	-0505	∠ 10	15.6	5	— // —	500593-0504	— // —	— // —	— // —	— // —	∠ -0500	
-040*	-0405	6.75	7.5	13.1	4	— // —	— // —	500593-0403	— // —	— // —	∠ -0400	
-030*	-0305	7.75	5	10.6	3	— // —	500593-0304	— // —	— // —	500593-0301	∠ -0300	
500592-020*	500817-0205	7.75	2.5	8.1	2	— // —	500593-0204	500593-0203	500593-0202	500593-0201	500593-0200	MODEL NO.
MATE WITH	CONFORTABLE-RETAINER	C	B	A	CKT.	GREEN	BLUE	YELLOW	RED	BLACK	NATURAL	

REVISED EC NO: J2015-1396 DRW:KMATSUYAMA 2015/04/24 CHKD:KASAKAWA 2015/04/27 APPR:KASAKAWA 2015/04/27	GENERAL TOLERANCES (UNLESS SPECIFIED)		DIMENSION STYLE MM ONLY		SCALE 3:1	DESIGN UNITS METRIC	THIRD ANGLE PROJECTION
	0.25 UNDER	± 0.03	DRAWN BY	DATE	TITLE		
	0.25 OVER 0.5 UNDER	± 0.05	J. MUMEDA	2005/04/07	2.5MM WIRE TO WIRE CONN. PLUG HOUSING		
	0.5 OVER 1.0 UNDER	± 0.1	CHECKED BY	DATE			
	1.0 OVER 10 UNDER	± 0.2	K. TOYODA	2005/04/07			
10 OVER 30 UNDER	± 0.25	APPROVED BY	DATE	DOCUMENT NO.		SHEET NO.	
30 OVER	± 0.3	KASAKAWA	2015/04/27	SD-500593-001		2 OF 2	
ANGULAR ±3 °		MATERIAL NO.		SEE CHART			
DRAFT WHERE APPLICABLE MUST REMAIN WITHIN DIMENSIONS			SIZE A3	THIS DRAWING CONTAINS INFORMATION THAT IS PROPRIETARY TO MOLEX INCORPORATED AND SHOULD NOT BE USED WITHOUT WRITTEN PERMISSION			