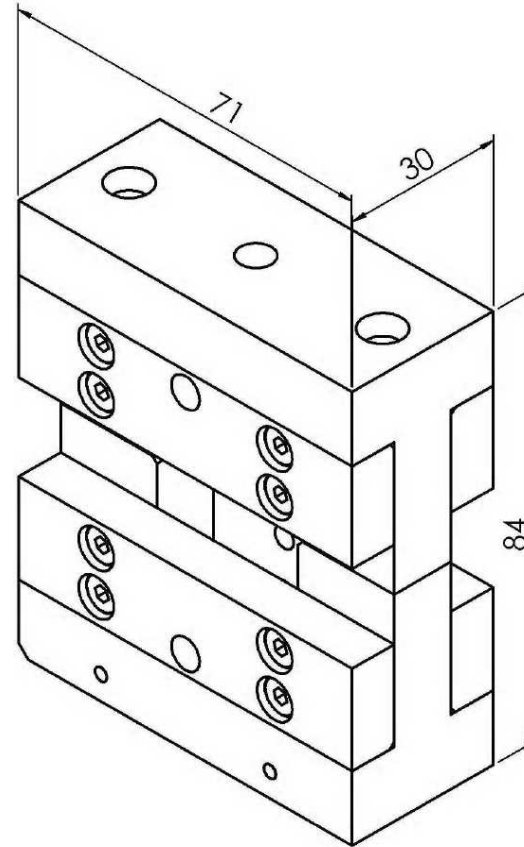
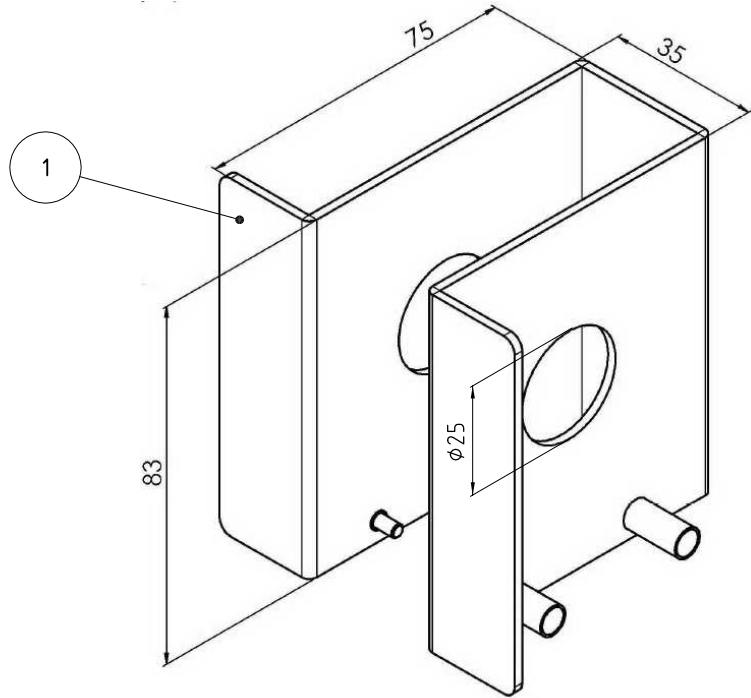


THIS DRAWING IS UNPUBLISHED. RELEASED FOR PUBLICATION  
 © COPYRIGHT - BY TYCO ELECTRONICS CORPORATION. ALL INTERNATIONAL RIGHTS RESERVED.

LOC		DIST		REVISIONS			
P	LTR	DESCRIPTION		DATE	DWN	APVD	
	A	INITIAL REVISION		19MAY10	LS	SA	



SPARE PART				
POS	QTY	TE- P/N	REV	DESCRIPTION
1	1	2-1481226-8	A	SAFETY GUARD, HEAVY DUTY, AT- 55

THIS DRAWING IS A CONTROLLED DOCUMENT.		DWN L. Sandhu	11MAY10	 Tyco Electronics AMP GmbH 64625 Bensheim (Germany)
DIMENSIONS: mm		CHK S. Samstag	19MAY10	
		APVD S. Samstag	19MAY10	
TOLERANCES UNLESS OTHERWISE SPECIFIED:		PRODUCT SPEC	NAME	
0 PLC ± - 1 PLC ± - 2 PLC ± - 3 PLC ± - 4 PLC ± - ANGLES ± -		APPLICATION SPEC	HEAVY DUTY DIE ADAPTER, 10-120SQ.MM, INCL. SAFETY GUARD AT- 55	
MATERIAL		WEIGHT	SIZE	RESTRICTED TO
FINISH		A3 00779 ©=528051-1		-
CUSTOMER DRAWING			SCALE	SHEET 1 of 1 REV A