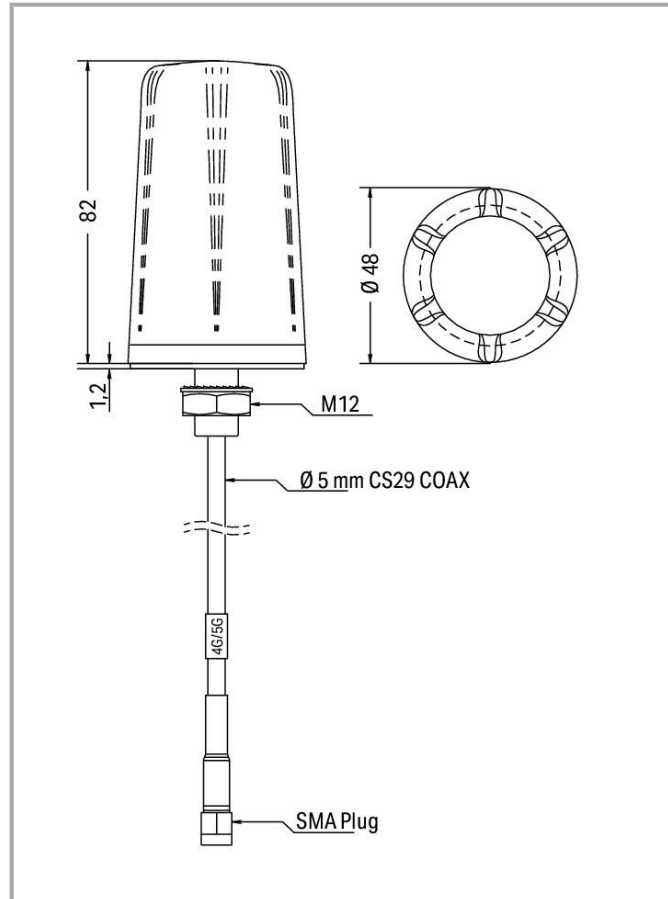


Data sheet | Item number: 758-974

Radio antenna; with 2m cable and SMA plug; GSM/ UMTS/ LTE/ Bluetooth®/ WLAN; 698-960, 1710-6000 MHz; 2G/3G/4G/5G

www.wago.com/758-974



Item description

- The antenna must be mounted on a conductive base plate measuring at least 40 x 40 cm.
- The distance of interfering sources to the antenna and antenna line must be at least 30 cm. The free space between the antenna and the next wall must be at least 35 cm.
- The antenna cable must not, under any circumstances, be bent sharply, or the antenna line may be irreversibly damaged.

Subject to changes. Please also observe the further product documentation!

WAGO GmbH & Co. KG
Hansastr. 27
32423 Minden
Phone: +49571 887-0 | Fax: +49571 887-169
Email: info.de@wago.com | Web: www.wago.com

Do you have any questions about our products?
We are always happy to take your call at +49 (571) 887-44222.



Data

Technical data

Radio technology	GSM UMTS LTE <i>Bluetooth</i> [®] WLAN 5G
Frequency band	617 ... 960 MHz; 1710 ... 6000 MHz
Gain	617 ... 960 MHz: 1dBi; 1710 ... 2700 MHz: 4dBi; 3400 ... 3800 MHz: 8dBi; 4900 ... 6000 MHz: 9dBi

Mechanical Data

Mounting type	Enclosure installation; adhesive strips
Cable type	CS29
Connector	SMA plug
Length of connection cable	2 m

Material Data

Weight	185 g
--------	-------

Environmental requirements

Ambient temperature (operation)	-40 ... +85 °C
Protection type	IP66

Commercial data

ETIM 8.0	EC001698
ETIM 7.0	EC001698
PU (SPU)	1 pcs
Packaging type	bag
Country of origin	CN
GTIN	4066966093957
Customs tariff number	85291095900

Environmental Product Compliance

RoHS Compliance Status	Compliant, No Exemption
------------------------	-------------------------

Subject to changes. Please also observe the further product documentation!



Downloads

Documentation

Additional Information

Disposal and Recycling Electrical and electronic equipment, Batteries, Packaging	V 1.1.0 2022 Aug 18	pdf 2.2 MB	Download
---	------------------------	---------------	----------

Environmental Product Compliance

Compliance Search

Environmental Product Compliance 758-974 Radio antenna; with 2m cable and SMA plug; GSM/ UMTS/ LTE/ Bluetooth®/ WLAN; 698-960, 1710-6000 MHz; 2G/3G/4G/5G	URL	Download
---	-----	----------

Installation Notes

Subject to changes. Please also observe the further product documentation!