

6

5

4

3

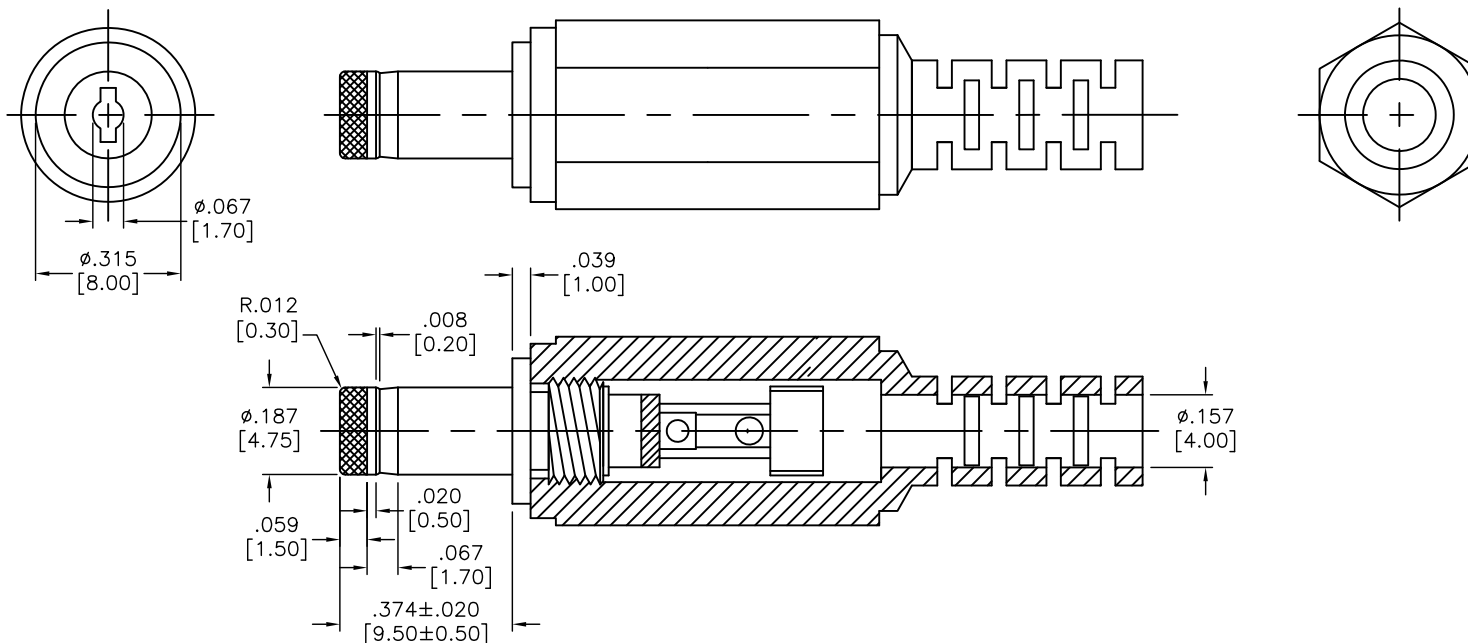
2

1

APPROVED: _____

DATE: _____ TITLE: _____

Rev	AWO #	Description	Date	Appr
-		RELEASED	9/6/12	
A		UPDATE DRAWING	2/21/20	AY/KC



SPECIFICATIONS:

Material:
Housing: TPR, color Color Black
Insulator Ring: POM, Color Yellow
Outer Sleeve: Brass, Nickel plated
Ground Terminal: Brass, Nickel plated
Terminal: Phosphor Bronze, Nickel plated
Environmental:
Lead free, RoHS compliant.



UNLESS OTHERWISE SPECIFIED
ALL DIMENSIONS ARE INCHES [MM]
TOLERANCES: EXCEPT AS NOTED
INCHES HOLES

.X ± .10	∅.X ± .10
.XX ± .020	∅.XX ± .015
.XXX ± .015	∅.XXX ± .010

**ADAM
TECH
INTERCONNECTS**

909 Rahway Avenue,
Union, NJ 07083
Phone: 908-687-5000
Fax: 908-687-5710

APPROVALS		DATE
DRAWN	AY	9/6/12
CHECKED	AH	9/6/12
APPROVED		

TITLE DC PLUG, W/STRAIN RELIEF		
SIZE X	PART NO. ADP-.067/.187/.374-SR	REV. A
REF: S00062T	SCALE: NTS	SHEET 1 OF 1

6

5

4

3

2

1