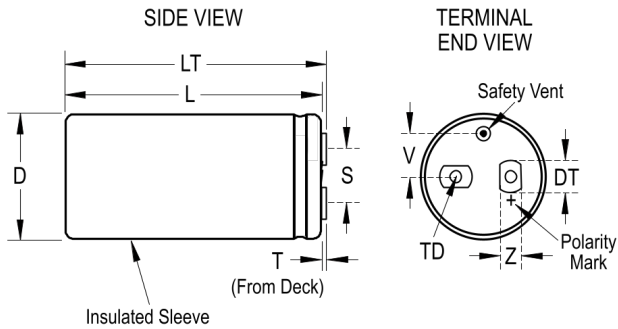


ALS40A153ND100

Aliases (A341TF153M100A)

ALS40, Aluminum Electrolytic, 15,000 uF, 20%, 100 VDC, -40/+105°C



Click [here](#) for the 3D model.

Dimensions

D	77mm +/-1mm
L	75mm +/-2mm
T	5.5mm +/-0.5mm
S	31.8mm +/-0.5mm
DT	13mm +/-0.5mm
LT	79.5mm +/-1mm
TD	10mm MIN
V	19mm NOM
Z	10mm NOM

Packaging Specifications

Sleeving	Yes
Packaging	Bulk, Box

General Information

Series	ALS40
Dielectric	Aluminum Electrolytic
Description	Screw Terminal, Aluminum Electrolytic
RoHS	Yes
AEC-Q200	No
Halogen Free	No
Component Weight	495 g
Notes	Dimensions D And L Include Sleeving. MS (MxH) = M12x16. Mounting Clamp (Sold Separately): V11
Shelf Life	156 Weeks

Specifications

Capacitance	15,000 uF
Capacitance Tolerance	20%
Voltage DC	100 VDC, 115 VDC (Surge)
Temperature Range	-40/+105°C
Rated Temperature	105°C
Life	9000 Hrs (Rated Voltage And Ripple Current At 105C), 15000 Hrs (Rated Voltage At 105C)
Resistance	28 mOhms (100Hz 20C), 26 mOhms (10kHz 20C)
Ripple Current	9.7 Amps (100Hz 105C), 9.9 Amps (10kHz 105C)
Leakage Current	4500 uA (5min 20°C)