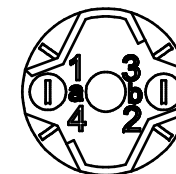
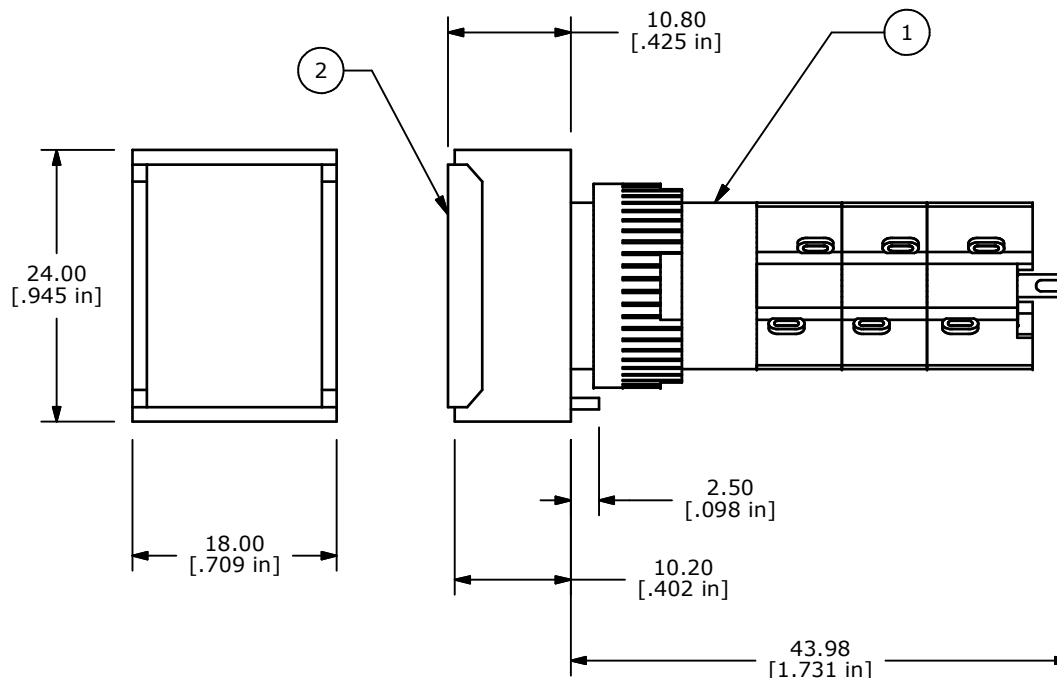
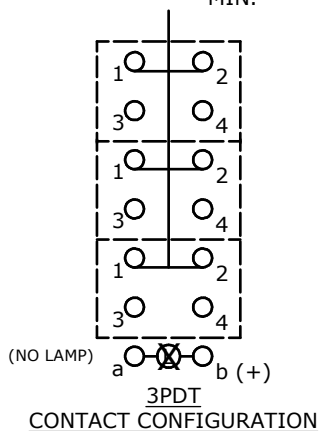


ISOMETRIC

PARTS LIST			DESCRIPTION
ITEM	QTY	PART NUMBER	
1	1	F040054	D16OAT23
2	1	F052214	BUTTON ASSY: FLAT TOP, OPAQUE, RED, RECTANGLE



- NOTE:
- ALL DIMENSIONS IN MM [INCH]
  - GENERAL TOLERANCE: X.X=±0.4  
X.XX=±0.25
  - TERMINAL NUMBERS FOR REF ONLY
  - RATING: 5A @250VAC  
8A @125VAC  
6A @24VDC
  - ELECTRICAL LIFE: >50,000 CYCLES
  - TRAVEL: 3.0MM
  - PANEL THICKNESS: 0.5 - 5 mm
  - SEALED TO IP40.
  - INSULATION RESISTANCE: 1,000 MEGA-OHM MIN.
  - OPERATING TEMP.: -25°C to 70°C
  - ▲ LAMP VOLTAGE: NONE
  - ▲ DENOTES CRITICAL PARAMETER.
  - PACKAGE: 20 PIECES PER BOX
  - 2002/95/EC (ROHS) COMPLIANT



A	18197	RELEASED FOR PRODUCTION	8/4/08	BLR
REV	PCR NO	DESCRIPTION	DATE	BY

TITLE D16OAT230RED				
SCALE	DATE	DR	DWG	REV
1.5:1	8/4/2008	BLR	XF0761P	A

THE INFORMATION CONTAINED IN THIS DOCUMENT IS PROPRIETARY TO E-SWITCH AND IS NOT TO BE COPIED OR TRANSFERRED