

D4E225-CC01-30

AC centrifugal fan

forward-curved, dual-intake

with housing (large flange)



ebm-papst Mulfingen GmbH & Co. KG

Bachmühle 2 · D-74673 Mulfingen

Phone +49 7938 81-0

Fax +49 7938 81-110

info1@de.ebmpapst.com

www.ebmpapst.com

Limited partnership · Headquarters Mulfingen

Amtsgericht (court of registration) Stuttgart · HRA 590344

General partner Elektrobau Mulfingen GmbH · Headquarters Mulfingen

Amtsgericht (court of registration) Stuttgart · HRB 590142

Nominal data

Type	D4E225-CC01-30	
Motor	M4E074-LA	
Phase		1~
Nominal voltage	VAC	230
Frequency	Hz	50
Method of obtaining data		ml
Valid for approval/standard		CE
Speed (rpm)	min ⁻¹	1210
Power consumption	W	540
Current draw	A	2.4
Capacitor	µF	16
Capacitor voltage	VDB	400
Capacitor standard		S2 (CE)
Min. back pressure	Pa	250
Min. back pressure	in. wg	1
Min. ambient temperature	°C	-25
Max. ambient temperature	°C	30

ml = Max. load · me = Max. efficiency · fa = Free air · cs = Customer specification · ce = Customer equipment
Subject to change

Data according to Commission Regulation (EU) 327/2011

		Actual	Req. 2015
01 Overall efficiency η_e	%	40.2	40.2
02 Measurement category		B	
03 Efficiency category		Total	
04 Efficiency grade N		49	49
05 Variable speed drive		No	

Data obtained at optimum efficiency level.

The ErP data is determined using a motor-impeller combination in a standardized measurement setup.

09 Power consumption P_e	kW	0.4
09 Air flow q_v	m ³ /h	1595
09 Pressure increase p_f	Pa	355
10 Speed (rpm) n	min ⁻¹	1345
11 Specific ratio*		1.00

* Specific ratio = $1 + p_f / 100\,000\text{ Pa}$

LU-135956



AC centrifugal fan

forward-curved, dual-intake
with housing (large flange)

Technical description

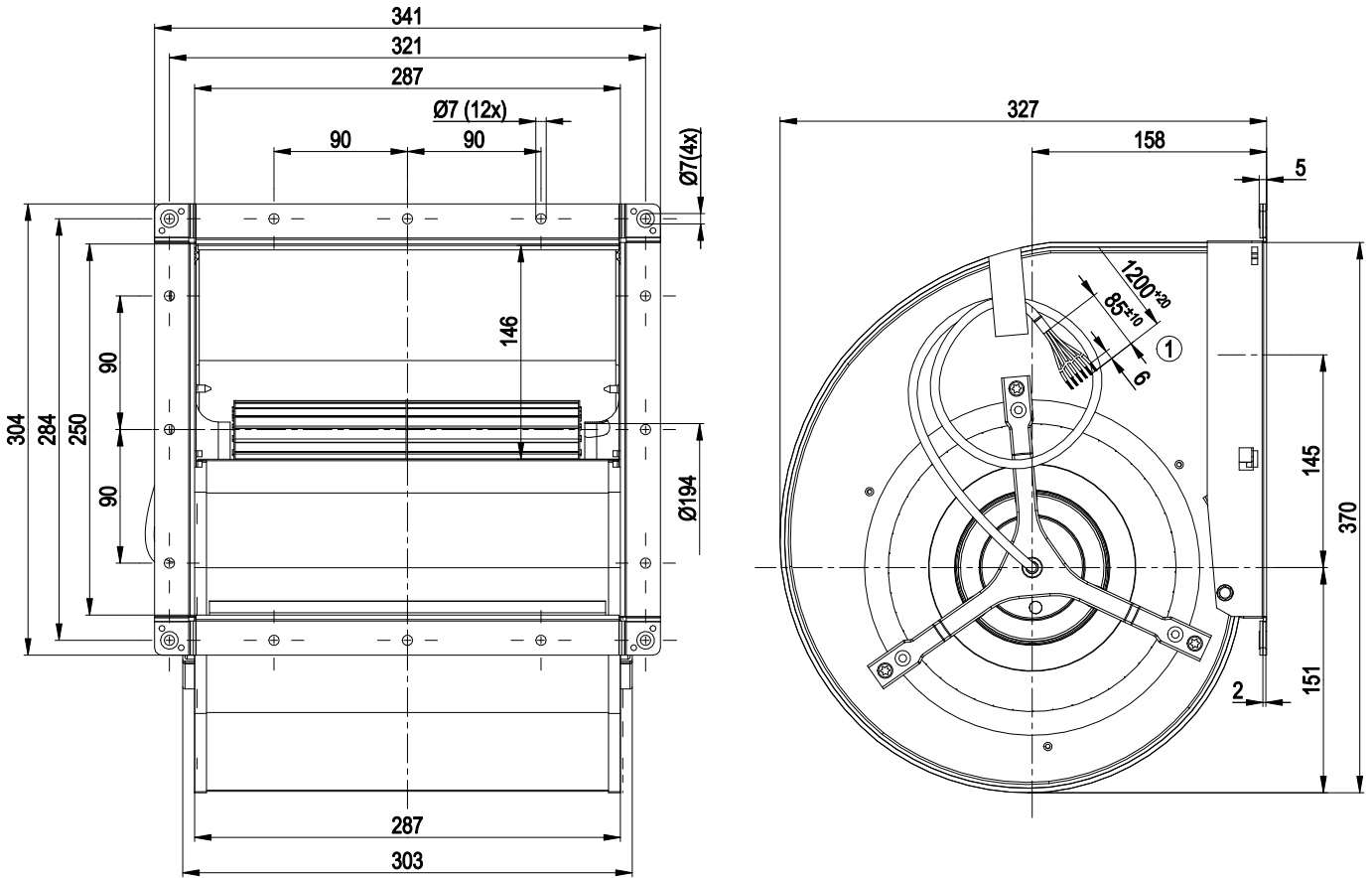
Weight	13 kg
Fan size	225 mm
Impeller material	Sheet steel, galvanized
Housing material	Sheet steel, galvanized
Support structure material	Sheet steel, galvanized
Motor suspension	Motor vibration-damped on both sides
Direction of rotation	Counterclockwise, viewed toward rotor
Degree of protection	IP22
Insulation class	"B"
Moisture (F) / Environmental (H) protection class	F2-1
Max. permitted ambient temp. for motor (transport/storage)	+ 80 °C
Min. permitted ambient temp. for motor (transport/storage)	- 40 °C
Installation position	Any
Condensation drainage holes	None, open rotor
Mode	S1
Motor bearing	Ball bearing
Touch current according to IEC 60990 (measuring circuit Fig. 4, TN system)	< 0.75 mA
Motor protection	Thermal overload protector (TOP) with basic insulation
Protection class	I (with customer connection of protective earth)
Conformity with standards	EN 60335-1; CE
Approval	CCC



AC centrifugal fan

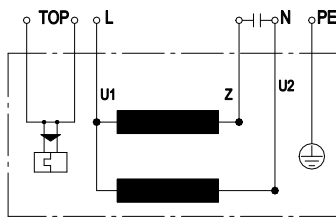
forward-curved, dual-intake
with housing (large flange)

Product drawing



1 Cable ETFE AWG20 0.5 mm², 6x crimped splices

Connection diagram



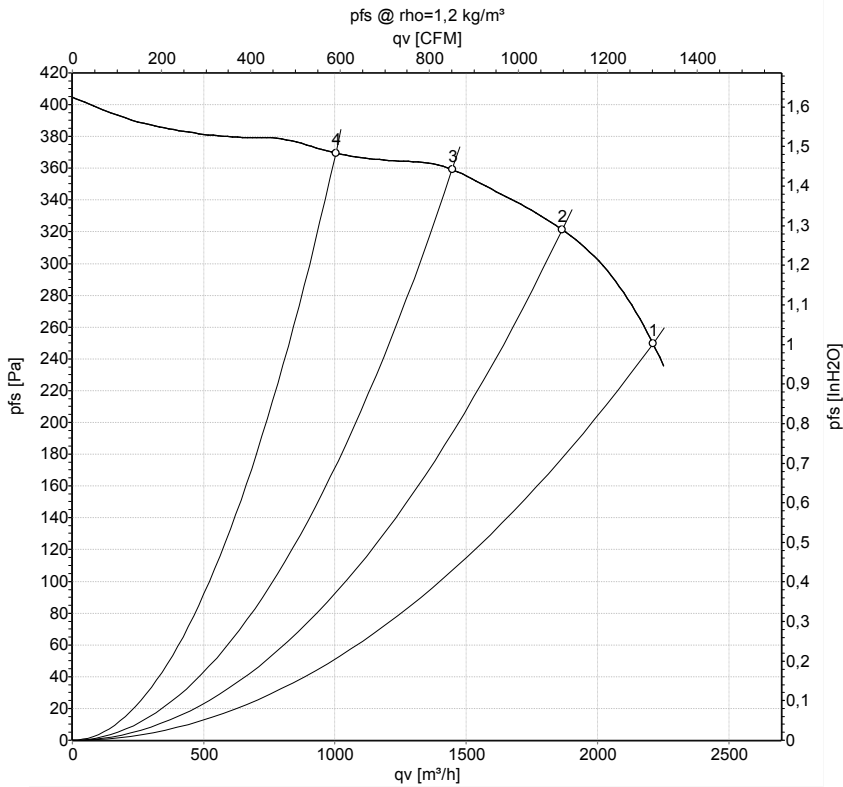
U1	blue	Z	brown	U2	black
PE	green/yellow	TOP	2x gray		



AC centrifugal fan

forward-curved, dual-intake
with housing (large flange)

Curves: Air performance 50 Hz



Measurement: LU-135956-1

Air performance measured according to ISO 5801 installation category A. For detailed information on the measurement setup, contact ebm-papst. Intake sound level: Sound power level according to ISO 13347 / sound pressure level measured at 1 m distance from fan axis. The values given are valid under the specified measuring conditions and may vary due to conditions of installation. For deviations from the standard configuration, the parameters have to be checked on the installed unit.

Measured values

	U	f	n	P _e	I	q _v	P _{fs}	q _v	P _{fs}
	V	Hz	min ⁻¹	W	A	m ³ /h	Pa	cfm	in. wg
1	230	50	1210	540	2.40	2210	250	1300	1.00
2	230	50	1300	459	2.04	1865	320	1100	1.28
3	230	50	1365	378	1.71	1445	360	850	1.45
4	230	50	1405	320	1.48	1005	370	590	1.49

U = Power supply · f = Frequency · n = Speed (rpm) · P_e = Power consumption · I = Current draw · q_v = Air flow · P_{fs} = Pressure increase

