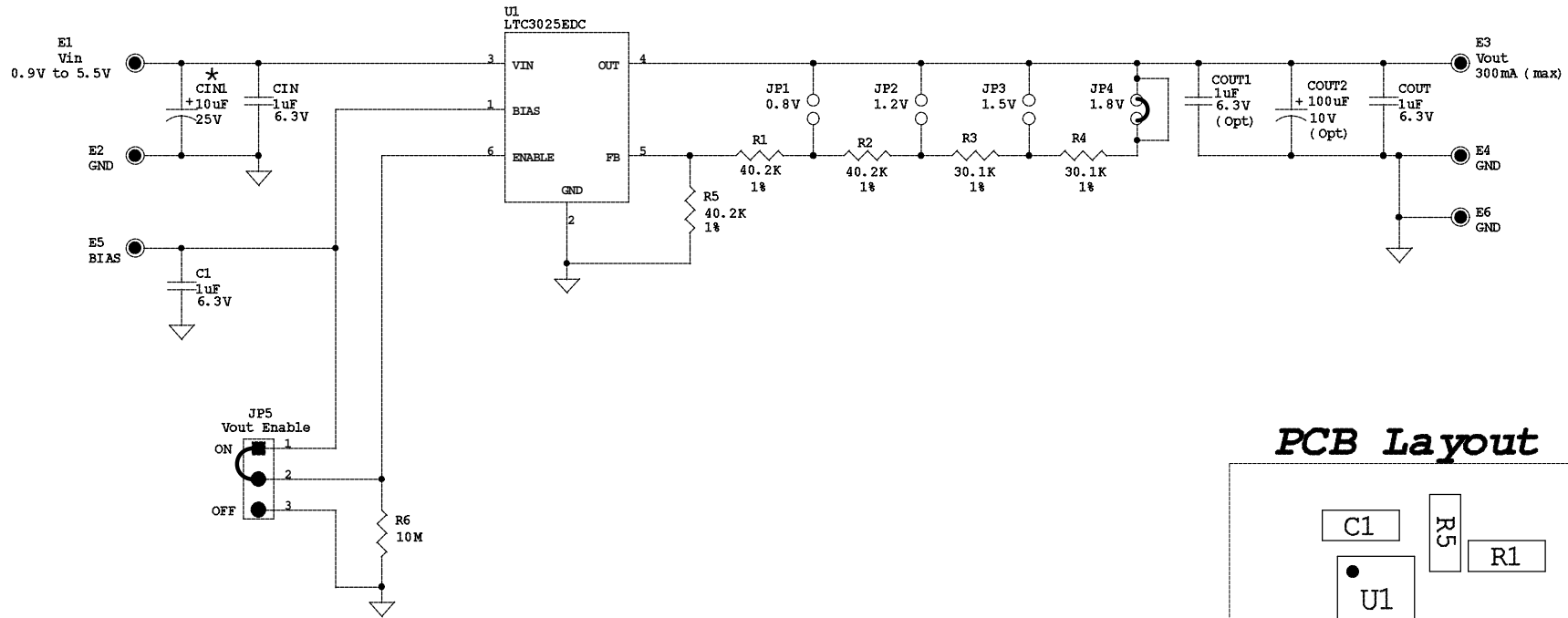
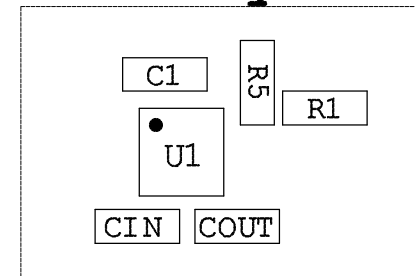


This circuit is proprietary to Linear Technology and supplied for use with Linear Technology parts.  
**Customer Notice:** Linear Technology has made a best effort to design a circuit that meets customer-supplied specifications; however, it remains the customers responsibility to verify proper and reliable operation in the actual application. Component substitution and printed circuit board layout may significantly affect circuit performance or reliability. Contact Linear Applications Engineering for assistance.



### PCB Layout



\* CIN1 is an optional capacitor. It is inserted on the DC741 to dampen the (possible) ringing voltage due to the use of long input leads. On a normal, typical PCB, with short traces, CIN1 is not needed.

1630 McCarthy Blvd., Milpitas, CA 95035-7487 Phone: (408)432-1900 Fax: (408)434-0507	
<b>Linear Technology Corp.</b>	
Title VLDO Linear Regulator	
Size Document Number	Demo Circuit 741A Rev 3
Date: Wednesday, September 29, 2004 Sheet 1 of 1	