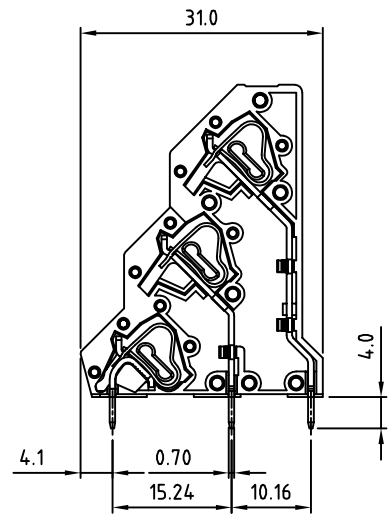
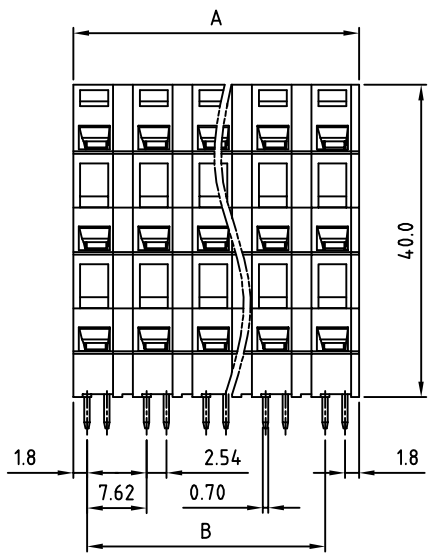
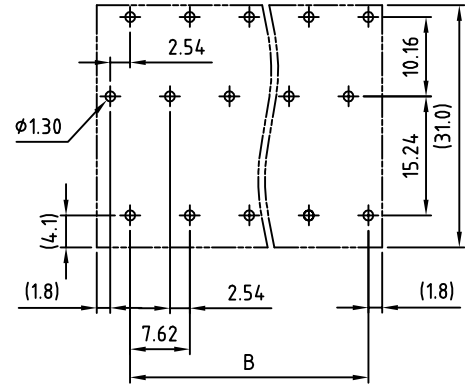
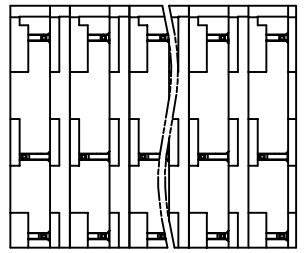


SIGN	DATE	DESCRIPTION	APPROVER

THIS IS CAD DRAWING, DO NOT REVISE MANUALLY!!!



- Material:**
- Terminal body
  - (Contact pin): Brass
  - Wire guard: Stainless steel
  - Surface of solder tail: Tin plated
  - Insulator(housing): Thermoplastic (UL94V-0)
- Electrical:** cULus
- Voltage rating: 300V
  - Current rating: 10A
  - Wire range:
    - Solid wire(AWG): 12-28
    - Stranded wire(AWG): 12-28
  - Wire strip length: 6-7mm
  - Withstanding Voltage: 1.6KV
  - Operating temperature: -30°C to +105°C
  - Soldering temperature: 250°C±10°C/5 Sec
- RoHS Compliant



PCB Layout

PART NUMBER:  
**OSTHRXX5081**

- No. of Poles
- 06: 3x2 POLES
  - 09: 3x3 POLES
  - 45: 3x15POLES
  - 48: 3x16 POLES

- COLOR
- 0: BLACK
  - 5: Green
  - 6: Blue
  - 8: Grey (Standard)

POLE	2	3	4	5	6	7	8
A	13.70	21.32	28.94	36.56	44.18	51.80	59.42
B	7.62	15.24	22.86	30.48	38.10	45.72	53.34
Tol.	±0.10			±0.15			
POLE	9	10	11	12	13	15	16
A	67.04	74.66	82.28	89.90	97.52	105.14	112.76
B	60.96	68.58	76.20	83.82	91.44	99.06	106.68
Tol.	±0.20			±0.30			

THESE DRAWINGS AND SPECIFICATIONS ARE THE PROPERTY OF ON-SHORE TECHNOLOGY, INC. AND SHALL NOT BE REPRODUCED, COPIED OR USED IN ANY MANNER WITHOUT THE PRIOR WRITTEN CONSENT OF ON-SHORE TECHNOLOGY, INC.

**OST ON-SHORE TECHNOLOGY, INC.**

TITLE	OSTHR 7.62mm Series (Solder pins staggered by half the pin spacing)						
PART NO.	OSTHRXX5081		DWG NO.	OSTHRXX5081.DWG			
APPROVED	CHECKED	DESIGNED	DRAWN	CUST NO.	Tolerance		
		Tony 2007.11.19	Tony 2007.11.19		UNIT: mm	X.	±0.50
					SCALE: NONE	X.X	±0.30
					SHEET: 01/01	X.XX	±0.10
					REV.: C	X°	±1°