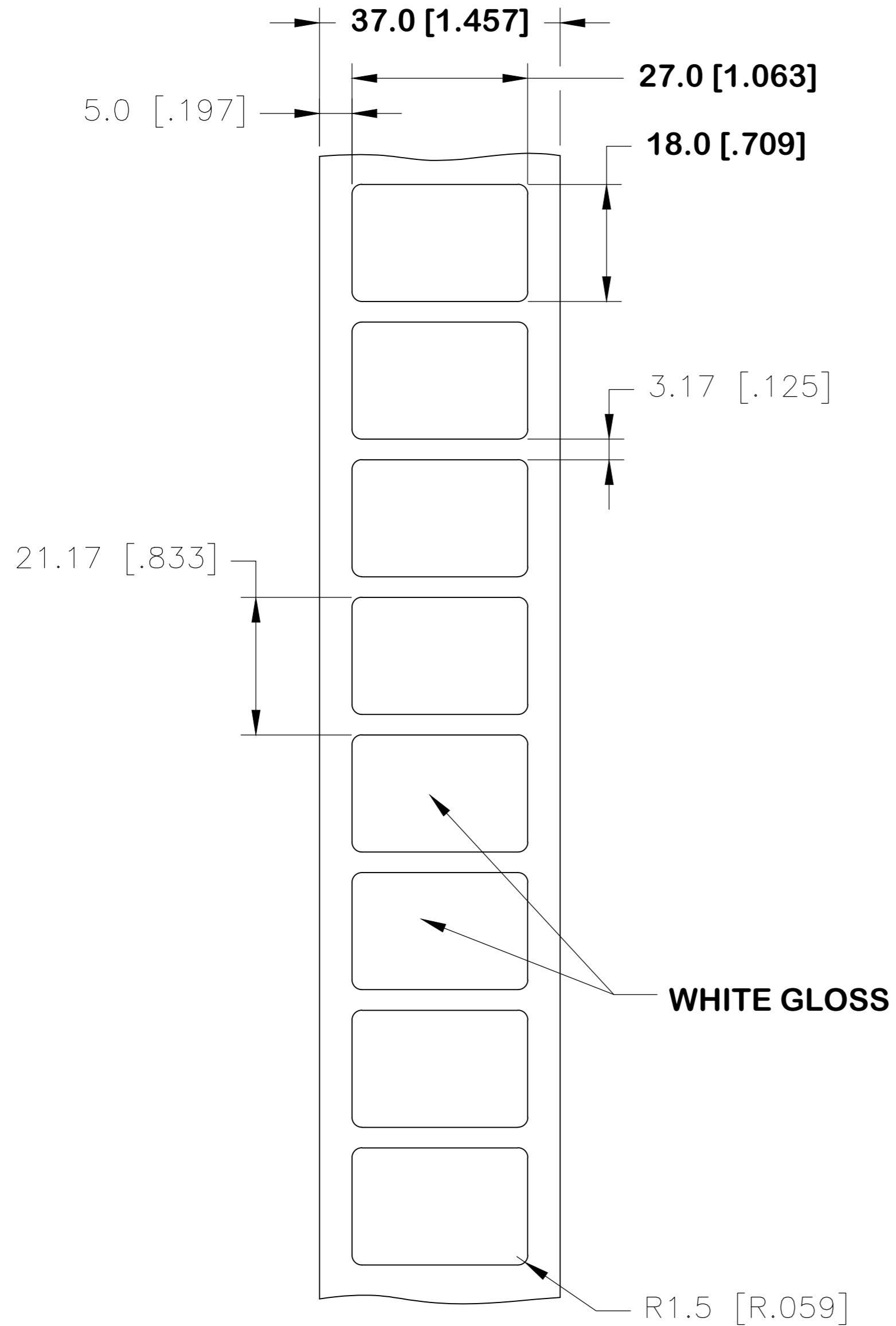
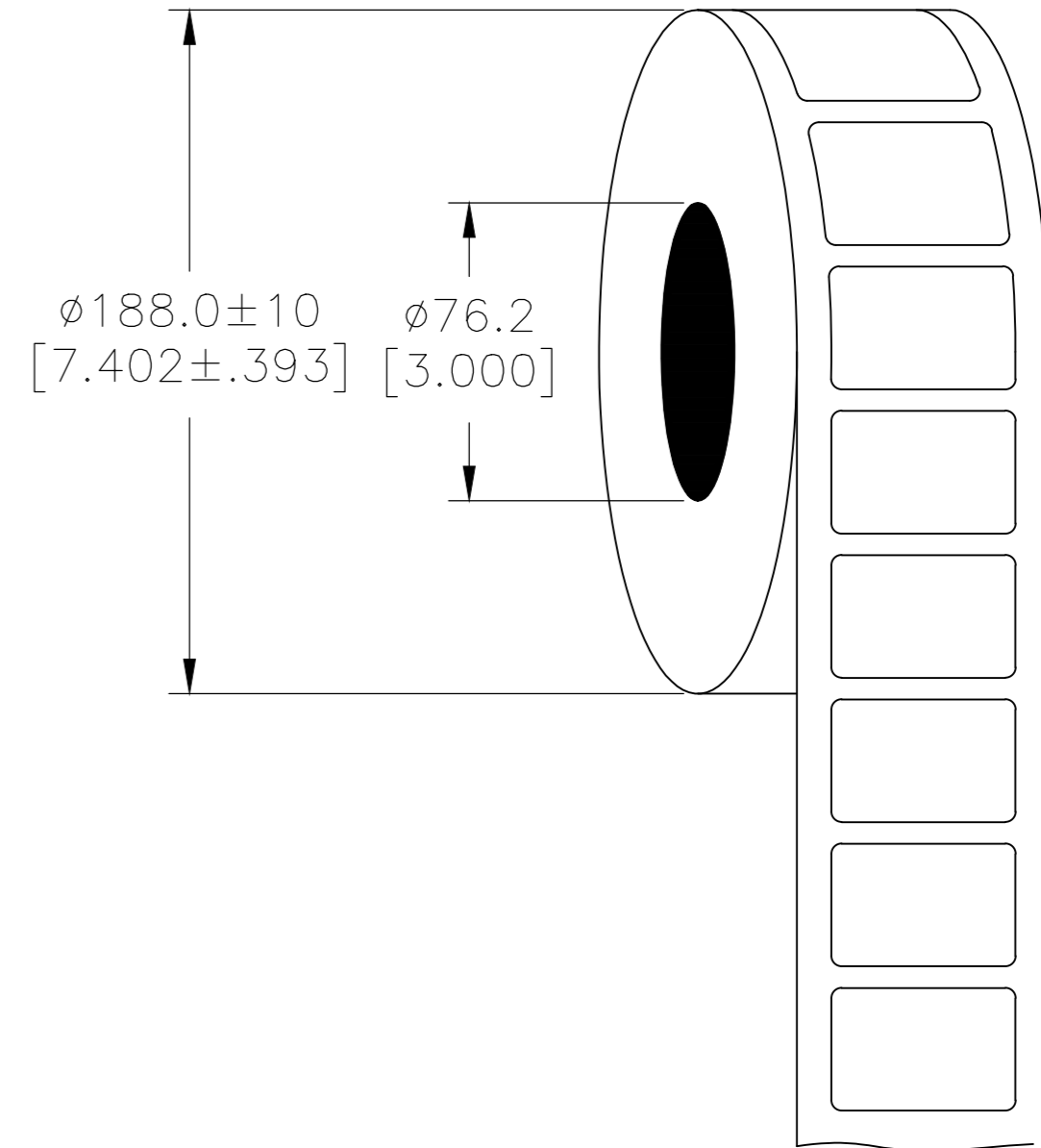


REVISIONS					
P	LTR	DESCRIPTION	DATE	DWN	APVD
	A	NEW DRAWING	21SEP2017	GK	DB
	A1	UL TABLE UPDATED	06JUN2018	GK	DB

### LABEL AND LINER DESIGN



### PRESENTATION



**OUTSIDE WOUND  
 LABEL ACROSS: 1  
 PER ROLL QTY: 1250**

All dimensions in mm [Inch]

**TE PN: 2322740-1**

UL-MARKING AND LABELLING SYSTEMS		
PGJ12 - Printing Materials - Component (UL 969)		
PGJ18 - Printing Materials Certified for Canada - Component (CSA C22.2 No. 0.15)		
File: MH17292	Product design: <b>PL-9</b>	Ribbon: TTB-XXXSC/YYYYAQ529

TOLERANCES mm [INCH]	
LABEL HEIGHT:	$\pm 0.3$ [.012]
LABEL WIDTH:	$\pm 0.3$ [.012]
WEB WIDTH:	$\pm 0.5$ [.020]
VERTICAL REPEAT:	$\pm 0.5$ [.020]*
HORIZONTAL REPEAT:	$\pm 0.5$ [.020]*
LABEL POSITIONING:	$\pm 0.5$ [.020]*
LEFT MARGIN:	$\pm 0.5$ [.020]
QUANTITY:	-0 % +2 %
*NON ACCUMULATING	

MATERIAL		POLYESTER WHITE GLOSS	
ADHESIVE TYPE		ACRYLIC PE FOAM	
LINEAR		BROWN KRAFT	
DWN	GOPALAKRISHNA HV	TE Connectivity	
CHK	D.BURGAT	TE Connectivity	
APVD	D.BURGAT	TE Connectivity	
PRODUCT SPEC	TTDS-245	PANEL LABEL-WHITE	
APPLICATION SPEC		27.0 x 18.0mm [1.063 x 0.709inch]	
WEIGHT	0.229 <sub>g</sub>	SIZE	A2
CUSTOMER DRAWING		CAGE CODE	FB1U7
		DRAWING NO	PL-027018-1.25-9
		RESTRICTED TO	
		SCALE	NTS
		SHEET	1 of 1
		REV	A1