

# TST TAI-SAW TECHNOLOGY CO., LTD.

No. 3, Industrial 2nd Rd., Ping-Chen Industrial District,  
Taoyuan, 324, Taiwan, R.O.C.

TEL: 886-3-4690038 FAX: 886-3-4697532

E-mail: [tstsales@mail.taisaw.com](mailto:tstsales@mail.taisaw.com) Web: [www.taisaw.com](http://www.taisaw.com)

## Product Specifications Approval Sheet

Product Description: SAW Resonator 315 MHz SMD 5.0X3.5 mm

TST Part No.: TC0437A

Customer Part No.: \_\_\_\_\_

Customer signature required
Company: _____
Division: _____
Approved by : _____
Date: _____

Checked by: \_\_\_\_\_ Hongpu Lin *Hong Pu Lin*

Approval by: \_\_\_\_\_ Andy Yu *Andy Yu*

Date: \_\_\_\_\_ 2019/04/25

1. Customer signed back is required before TST can proceed with sample build and receive orders.
2. Orders received without customer signed back will be regarded as agreement on the specifications.
3. Any specifications changes must be approved upon by both parties and a new revision of specifications shall be released to reflect the changes.

## SAW Resonator 315 MHz

MODEL NO.: TC0437A

REV. NO.: 4.0

### A. FEATURES:

- 1-Port Resonator.

RoHS Compliant  
 Lead free  
 Lead-free soldering

### B. MAXIMUM RATING:

1. Input Power Level: 0 dBm
2. DC voltage: 5 V
3. Operating Temperature: -40°C to +85°C
4. Storage Temperature: -40°C to +85°C
5. Moisture Sensitive Level (MSL): Level 1

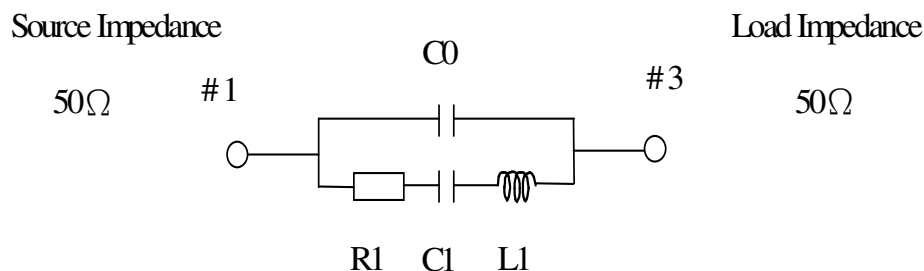
Electrostatic Sensitive Device

### C. ELECTRICAL CHARACTERISTICS:

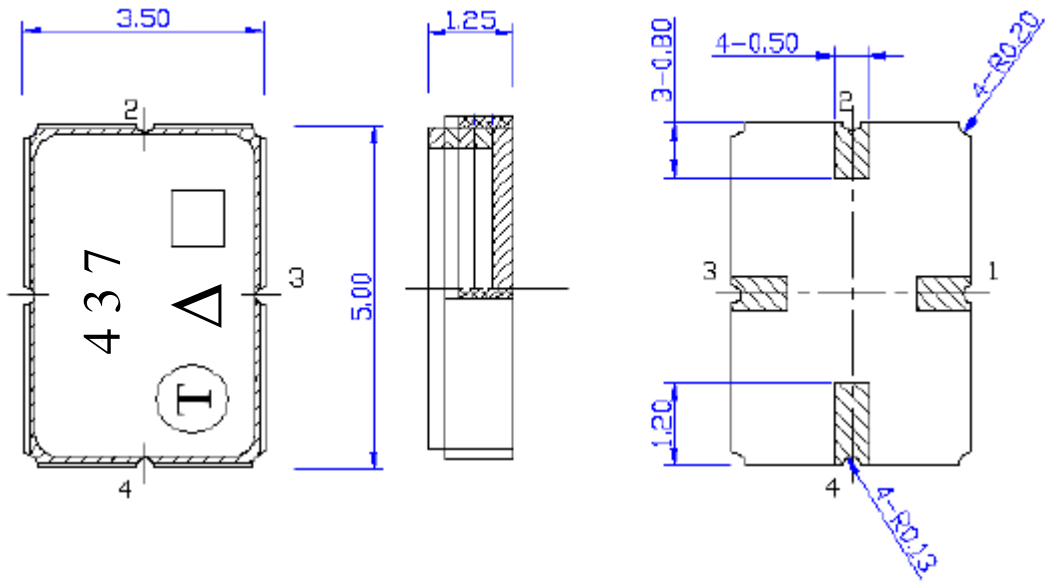
Characteristic	Units	Minimum	Typical	Maximum
Center frequency <b>Fr</b>	<b>MHz</b>	314.925	315	315.075
Insertion Loss <b>IL</b>	<b>dB</b>	-	1.36	2.0
Equivalent Elements				
Motional capacitance <b>C1</b>	<b>fF</b>	-	2.53	-
Motional inductance <b>L1</b>	<b>μH</b>	-	101.09	-
Motional resistance <b>R1</b>	<b>Ohm</b>	-	16.73	-
Parallel capacitance <b>Co</b>	<b>pF</b>	-	4.25	-
Temp. coeff.	<b>ppm/c*2</b>	-	0.032	-
Turnover To	<b>deg.C</b>	-	25	-
Package size		SMD 5.0X3.5X1.4mm		

### D. EQUIVRENT CIRCUIT:

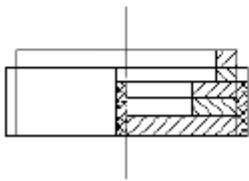
One-Port Resonator:



**E. OUTLINE DRAWING:**



- Pin 1 : Input**
- Pin 3 : Output**
- Pin 2,4 : Ground**
- : Date code**



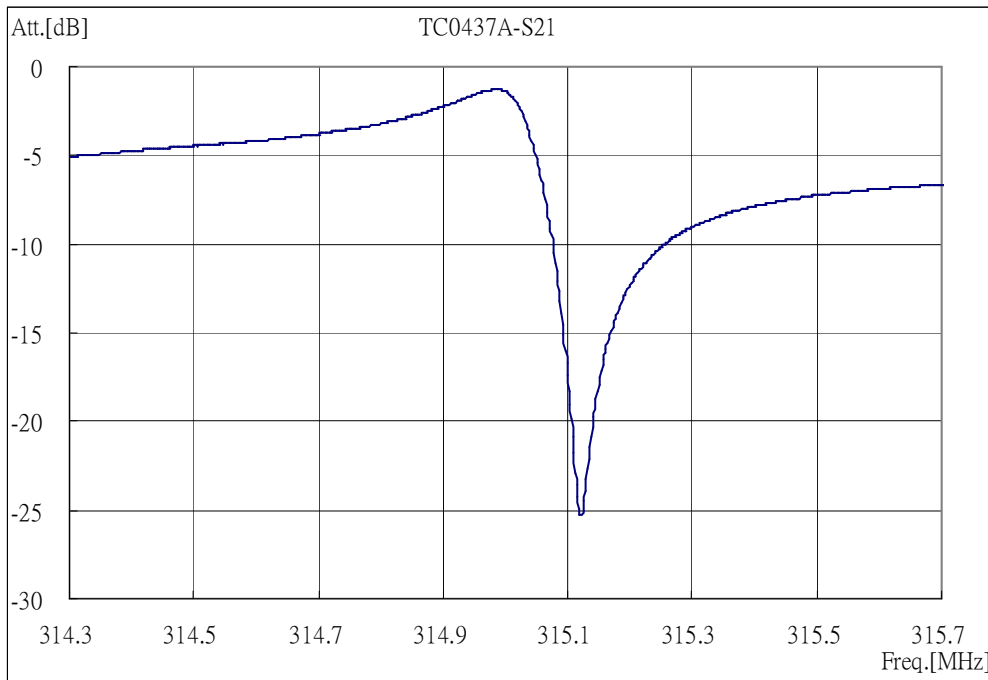
Year <sup>⊕</sup>	2013 <sup>⊕</sup> 2009 <sup>⊕</sup>	2014 <sup>⊕</sup> 2010 <sup>⊕</sup>	2015 <sup>⊕</sup> 2011 <sup>⊕</sup>	2016 <sup>⊕</sup> 2012 <sup>⊕</sup>
Year Code <sup>⊕</sup>	C <sup>⊕</sup>	c <sup>⊕</sup>	<u>C</u> <sup>⊕</sup>	<u>c</u> <sup>⊕</sup>

Δ : Year Code

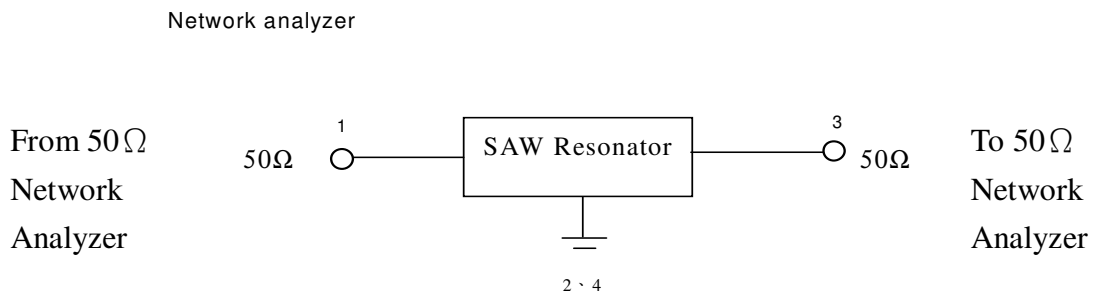
□ Data code :

WK01	WK02	WK03	WK04	WK05	WK06	WK07	WK08	WK09	WK10	WK11	WK12	WK13
A	B	C	D	E	F	G	H	I	J	K	L	M
WK14	WK15	WK16	WK17	WK18	WK19	WK20	WK21	WK22	WK23	WK24	WK25	WK26
N	O	P	Q	R	S	T	U	V	W	X	Y	Z
WK27	WK28	WK29	WK30	WK31	WK32	WK33	WK34	WK35	WK36	WK37	WK38	WK39
a	b	c	d	e	f	g	h	i	j	k	l	m
WK40	WK41	WK42	WK43	WK44	WK45	WK46	WK47	WK48	WK49	WK50	WK51	WK52
n	o	p	q	r	s	t	u	v	w	x	y	z

## F. FREQUENCY CHARACTERISTICS

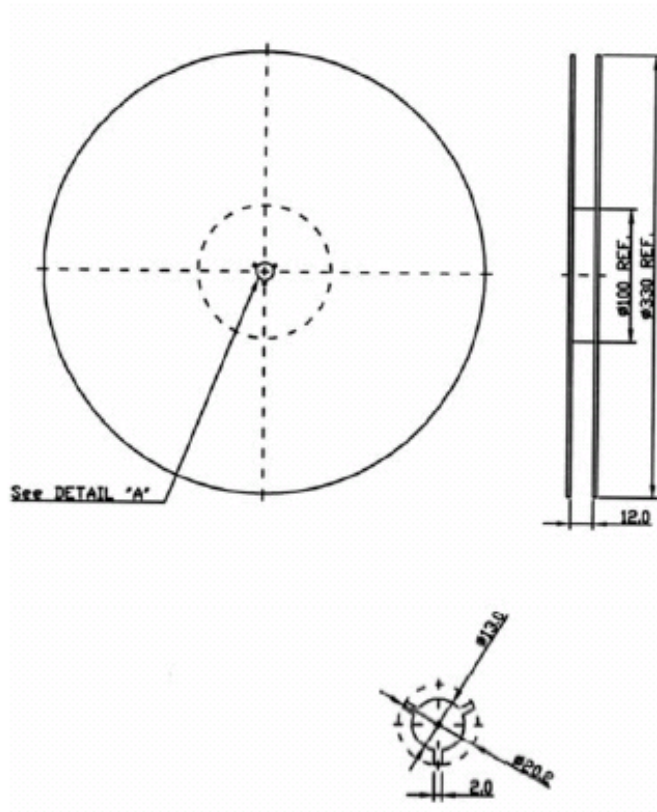


## G. TEST CIRCUIT:

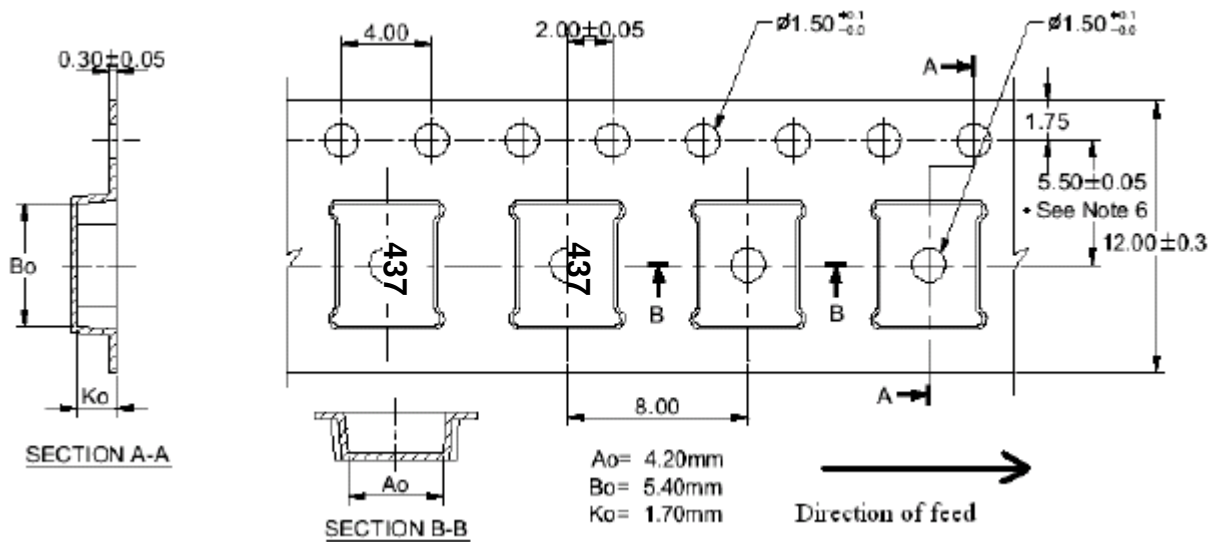


## H. PACKING:

### 1. REEL DIMENSION



### 2. TAPE DIMENSION



### **I. RECOMMENDED REFLOW PROFILE:**

1. Preheating shall be fixed at 150~180°C for 60~90 seconds.
2. Ascending time to preheating temperature 150°C shall be 30 seconds min.
3. Heating shall be fixed at 220°C for 50~80 seconds and at 260°C +0/-5°C peak (20~40sec).
4. Time: 2 times.

