

| ABBREVIATION | DESCRIPTION | COLOR | MATERIAL |
|--------------|--------------------------|------------|--------------------------------|
| A-BLACK | HOUSING, KEYING OPTION A | BLACK | SPS/NYLON GF20 |
| B-LIGHT GRAY | HOUSING, KEYING OPTION B | LIGHT GRAY | SPS/NYLON GF20 |
| C-BROWN | HOUSING, KEYING OPTION C | BROWN | SPS/NYLON GF20 |
| D-GREEN | HOUSING, KEYING OPTION D | GREEN | SPS/NYLON GF20 |
| A-YELLOW | HOUSING, KEYING OPTION A | YELLOW | SPS/NYLON GF20 |
| C-DARK GRAY | HOUSING, KEYING OPTION C | DARK GRAY | SPS/NYLON GF20 |
| D-STONE GRAY | HOUSING, KEYING OPTION D | STONE GRAY | SPS/NYLON GF20 |
| GCP | GROMMET CAP (PLUGGED) | BLACK | SPS/NYLON GF20 |
| PLR | PLR | NATURAL | SPS/NYLON GF20 |
| M-R | MAT SEAL | RUST RED | INHERENTLY LUBRICATED SILICONE |
| M-B | MAT SEAL | ROYAL BLUE | INHERENTLY LUBRICATED SILICONE |

FOR ADDITIONAL INFORMATION SEE SD-33482-0001

| ASSEMBLY DESCRIPTION | ASSEMBLY PART NUMBER | COMPONENT | | | | BLOCKED TERMINALS | | | | | | STATUS | COMMENT | OPTIONAL ATTACHMENTS SOLD SEPARATELY | |
|----------------------------|----------------------|--|-------------|-----|----------|--|---|---|---|---|---|----------|---------------|--------------------------------------|------------------------|
| | | THE PRESENCE OF AN ABBREVIATION INDICATES THE PRESENCE OF THAT COMPONENT | | | | CAVITY WITH A NUMBER INDICATES BLOCKED TERMINAL POSITION CAVITY WITHOUT A NUMBER INDICATES OPEN TERMINAL POSITION | | | | | | | | BACKSHELL WITH RIBS | BACKSHELL WITHOUT RIBS |
| | | HOUSING KEY/COLOR | GROMMET CAP | PLR | MAT SEAL | | | | | | | | | | |
| MX150 ASSY BLD 2X6 BK A/12 | 334821201 | A-BLACK | GCP | PLR | M-R | - | - | - | - | - | - | OBSOLETE | SEE 334826201 | 34950-1210 | 34950-1220 |
| MX150 ASSY BLD 2X6 LG B/12 | 334821202 | B-LIGHT GRAY | GCP | PLR | M-R | - | - | - | - | - | - | OBSOLETE | SEE 334826202 | 34950-1210 | 34950-1220 |
| MX150 ASSY BLD 2X6 BR C/12 | 334821203 | C-BROWN | GCP | PLR | M-R | - | - | - | - | - | - | OBSOLETE | SEE 334826261 | 34950-1210 | 34950-1220 |
| MX150 ASSY BLD 2X6 GR D/12 | 334821204 | D-GREEN | GCP | PLR | M-R | - | - | - | - | - | - | OBSOLETE | SEE 334826262 | 34950-1210 | 34950-1220 |
| MX150 ASSY BLD 2X6 BK A/11 | 334821206 | A-BLACK | GCP | PLR | M-R | - | - | - | - | - | 6 | OBSOLETE | SEE 334826206 | 34950-1210 | 34950-1220 |
| MX150 ASSY BLD 2X6 LG B/11 | 334821207 | B-LIGHT GRAY | GCP | PLR | M-R | - | - | - | - | - | 6 | OBSOLETE | SEE 334826207 | 34950-1210 | 34950-1220 |
| MX150 ASSY BLD 2X6 BR C/11 | 334821208 | C-BROWN | GCP | PLR | M-R | - | - | - | - | - | 6 | OBSOLETE | | 34950-1210 | 34950-1220 |
| MX150 ASSY BLD 2X6 GR D/11 | 334821209 | D-GREEN | GCP | PLR | M-R | - | - | - | - | - | 6 | OBSOLETE | | 34950-1210 | 34950-1220 |
| MX150 ASSY BLD 2X6 BK A/10 | 334821211 | A-BLACK | GCP | PLR | M-R | - | - | - | - | - | 6 | OBSOLETE | SEE 334826211 | 34950-1210 | 34950-1220 |
| MX150 ASSY BLD 2X6 LG B/10 | 334821212 | B-LIGHT GRAY | GCP | PLR | M-R | 7 | - | - | - | - | - | OBSOLETE | SEE 334826212 | 34950-1210 | 34950-1220 |
| MX150 ASSY BLD 2X6 BR C/10 | 334821213 | C-BROWN | GCP | PLR | M-R | - | - | - | - | - | 6 | OBSOLETE | | 34950-1210 | 34950-1220 |
| MX150 ASSY BLD 2X6 GR D/10 | 334821214 | D-GREEN | GCP | PLR | M-R | - | - | - | - | - | 6 | OBSOLETE | | 34950-1210 | 34950-1220 |
| MX150 ASSY BLD 2X6 BK A/9 | 334821216 | A-BLACK | GCP | PLR | M-R | 1 | - | - | - | - | 6 | OBSOLETE | SEE 334826216 | 34950-1210 | 34950-1220 |
| MX150 ASSY BLD 2X6 LG B/9 | 334821217 | B-LIGHT GRAY | GCP | PLR | M-R | 1 | - | - | - | - | 6 | OBSOLETE | SEE 334826217 | 34950-1210 | 34950-1220 |
| MX150 ASSY BLD 2X6 BR C/9 | 334821218 | C-BROWN | GCP | PLR | M-R | 1 | - | - | - | - | 6 | OBSOLETE | SEE 334826320 | 34950-1210 | 34950-1220 |
| MX150 ASSY BLD 2X6 GR D/9 | 334821219 | D-GREEN | GCP | PLR | M-R | 1 | - | - | - | - | 6 | OBSOLETE | SEE 334826285 | 34950-1210 | 34950-1220 |
| MX150 ASSY BLD 2X6 BK A/8 | 334821221 | A-BLACK | GCP | PLR | M-R | 1 | - | - | - | - | 6 | OBSOLETE | SEE 334826221 | 34950-1210 | 34950-1220 |

| ASSEMBLY DESCRIPTION | ASSEMBLY PART NUMBER | COMPONENT | | | | BLOCKED TERMINALS | | | | | | STATUS | COMMENT | OPTIONAL ATTACHMENTS SOLD SEPARATELY | |
|----------------------------|----------------------|--|-------------|-----|----------|--|---|---|----|----|----|----------|---------------|--------------------------------------|------------------------|
| | | THE PRESENCE OF AN ABBREVIATION INDICATES THE PRESENCE OF THAT COMPONENT | | | | CAVITY WITH A NUMBER INDICATES BLOCKED TERMINAL POSITION CAVITY WITHOUT A NUMBER INDICATES OPEN TERMINAL POSITION | | | | | | | | BACKSHELL WITH RIBS | BACKSHELL WITHOUT RIBS |
| | | HOUSING KEY/COLOR | GROMMET CAP | PLR | MAT SEAL | 1 | 2 | 3 | 4 | 5 | 6 | | | | |
| MX150 ASSY BLD 2X6 LG B/8 | 334821222 | B-LIGHT GRAY | GCP | PLR | M-R | 1 | - | - | - | - | 6 | OBSOLETE | SEE 334826222 | 34950-1210 | 34950-1220 |
| | | | | | | 7 | - | - | - | - | 12 | | | | |
| MX150 ASSY BLD 2X6 BR C/8 | 334821223 | C-BROWN | GCP | PLR | M-R | 1 | - | - | - | - | 6 | OBSOLETE | | 34950-1210 | 34950-1220 |
| | | | | | | 7 | - | - | - | - | 12 | | | | |
| MX150 ASSY BLD 2X6 GR D/8 | 334821224 | D-GREEN | GCP | PLR | M-R | 1 | - | - | - | - | 6 | OBSOLETE | | 34950-1210 | 34950-1220 |
| | | | | | | 7 | - | - | - | - | 12 | | | | |
| MX150 ASSY BLD 2X6 BK A/10 | 334821226 | A-BLACK | GCP | PLR | M-R | - | - | - | - | - | 6 | OBSOLETE | SEE 334826226 | 34950-1210 | 34950-1220 |
| | | | | | | - | - | - | - | - | 12 | | | | |
| MX150 ASSY BLD 2X6 BK A/0 | 334821227 | A-BLACK | GCP | PLR | M-R | 1 | 2 | 3 | 4 | 5 | 6 | OBSOLETE | SEE 334826227 | 34950-1210 | 34950-1220 |
| | | | | | | 7 | 8 | 9 | 10 | 11 | 12 | | | | |
| MX150 ASSY BLD 2X6 LG B/0 | 334821228 | B-LIGHT GRAY | GCP | PLR | M-R | 1 | 2 | 3 | 4 | 5 | 6 | OBSOLETE | SEE 334826228 | 34950-1210 | 34950-1220 |
| | | | | | | 7 | 8 | 9 | 10 | 11 | 12 | | | | |
| MX150 ASSY BLD 2X6 BR C/0 | 334821229 | C-BROWN | GCP | PLR | M-R | 1 | 2 | 3 | 4 | 5 | 6 | OBSOLETE | SEE 334826263 | 34950-1210 | 34950-1220 |
| | | | | | | 7 | 8 | 9 | 10 | 11 | 12 | | | | |
| MX150 ASSY BLD 2X6 GR D/0 | 334821230 | D-GREEN | GCP | PLR | M-R | 1 | 2 | 3 | 4 | 5 | 6 | OBSOLETE | SEE 334826264 | 34950-1210 | 34950-1220 |
| | | | | | | 7 | 8 | 9 | 10 | 11 | 12 | | | | |
| MX150 ASSY BLD 2X6 BK A/8 | 334821232 | A-BLACK | GCP | PLR | M-R | - | 2 | 3 | - | - | - | OBSOLETE | SEE 334826232 | 34950-1210 | 34950-1220 |
| | | | | | | - | 8 | - | - | 11 | - | | | | |
| MX150 ASSY BLD 2X6 BK A/5 | 334821233 | A-BLACK | GCP | PLR | M-R | - | 2 | 3 | - | 5 | 6 | OBSOLETE | SEE 334826233 | 34950-1210 | 34950-1220 |
| | | | | | | 7 | 8 | - | - | 11 | - | | | | |
| MX150 ASSY BLD 2X6 BK A/10 | 334821234 | A-BLACK | GCP | PLR | M-R | - | - | - | - | - | 6 | OBSOLETE | SEE 334826211 | 34950-1210 | 34950-1220 |
| | | | | | | 7 | - | - | - | - | - | | | | |
| MX150 ASSY BLD 2X6 BK A/5 | 334821235 | A-BLACK | GCP | PLR | M-R | - | 2 | 3 | - | - | 6 | OBSOLETE | SEE 334826235 | 34950-1210 | 34950-1220 |
| | | | | | | 7 | 8 | - | 10 | 11 | - | | | | |
| MX150 ASSY BLD 2X6 LG B/5 | 334821236 | B-LIGHT GRAY | GCP | PLR | M-R | 1 | - | - | - | 5 | 6 | OBSOLETE | SEE 334826236 | 34950-1210 | 34950-1220 |
| | | | | | | 7 | 8 | 9 | 10 | - | - | | | | |
| MX150 ASSY BLD 2X6 BK A/11 | 334821237 | A-BLACK | GCP | PLR | M-R | - | 2 | - | - | - | - | OBSOLETE | SEE 334826237 | 34950-1210 | 34950-1220 |
| | | | | | | - | - | - | - | - | - | | | | |
| MX150 ASSY BLD 2X6 LG B/9 | 334821238 | B-LIGHT GRAY | GCP | PLR | M-R | - | 2 | - | - | - | - | OBSOLETE | SEE 334826238 | 34950-1210 | 34950-1220 |
| | | | | | | - | - | 9 | 10 | - | - | | | | |
| MX150 ASSY BLD 2X6 BK A/7 | 334821239 | A-BLACK | GCP | PLR | M-R | 1 | - | - | - | 5 | 6 | OBSOLETE | SEE 334826239 | 34950-1210 | 34950-1220 |
| | | | | | | 7 | 8 | - | - | - | - | | | | |
| MX150 ASSY BLD 2X6 BK A/6 | 334821240 | A-BLACK | GCP | PLR | M-R | - | 2 | 3 | - | - | - | OBSOLETE | SEE 334826240 | 34950-1210 | 34950-1220 |
| | | | | | | - | 8 | 9 | 10 | 11 | - | | | | |
| MX150 ASSY BLD 2X6 BK A/7 | 334821241 | A-BLACK | GCP | PLR | M-R | - | - | - | - | - | - | OBSOLETE | SEE 334826241 | 34950-1210 | 34950-1220 |
| | | | | | | 7 | 8 | 9 | 10 | 11 | - | | | | |
| MX150 ASSY BLD 2X6 BK A/10 | 334821242 | A-BLACK | GCP | PLR | M-R | - | - | - | - | - | - | OBSOLETE | SEE 334826242 | 34950-1210 | 34950-1220 |
| | | | | | | 7 | 8 | - | - | - | - | | | | |
| MX150 ASSY BLD 2X6 BK A/9 | 334821243 | A-BLACK | GCP | PLR | M-R | - | 2 | - | - | - | - | OBSOLETE | SEE 334826243 | 34950-1210 | 34950-1220 |
| | | | | | | - | - | 9 | 10 | - | - | | | | |
| MX150 ASSY BLD 2X6 BK A/10 | 334821244 | A-BLACK | GCP | PLR | M-R | - | 2 | - | 4 | - | - | OBSOLETE | SEE 334826244 | 34950-1210 | 34950-1220 |
| | | | | | | - | - | - | - | - | - | | | | |
| MX150 ASSY BLD 2X6 BK A/8 | 334821245 | A-BLACK | GCP | PLR | M-R | - | - | - | - | - | - | OBSOLETE | SEE 334826245 | 34950-1210 | 34950-1220 |
| | | | | | | - | - | 9 | 10 | 11 | 12 | | | | |
| MX150 ASSY BLD 2X6 BK A/11 | 334821246 | A-BLACK | GCP | PLR | M-R | - | - | - | - | - | - | OBSOLETE | SEE 334826246 | 34950-1210 | 34950-1220 |
| | | | | | | - | - | - | - | 11 | - | | | | |
| MX150 ASSY BLD 2X6 BK A/7 | 334821247 | A-BLACK | GCP | PLR | M-R | - | 2 | 3 | 4 | - | - | OBSOLETE | SEE 334826247 | 34950-1210 | 34950-1220 |
| | | | | | | 7 | 8 | - | - | - | - | | | | |
| MX150 ASSY BLD 2X6 BK A/5 | 334821248 | A-BLACK | GCP | PLR | M-R | 1 | - | 3 | 4 | 5 | 6 | OBSOLETE | SEE 334826248 | 34950-1210 | 34950-1220 |
| | | | | | | 7 | 8 | - | - | - | - | | | | |
| MX150 ASSY BLD 2X6 BK A/9 | 334821249 | A-BLACK | GCP | PLR | M-R | - | - | - | - | - | - | OBSOLETE | SEE 334826249 | 34950-1210 | 34950-1220 |
| | | | | | | - | - | - | 10 | 11 | 12 | | | | |
| MX150 ASSY BLD 2X6 BK A/6 | 334821250 | A-BLACK | GCP | PLR | M-R | - | - | - | 4 | 5 | 6 | OBSOLETE | SEE 334826250 | 34950-1210 | 34950-1220 |
| | | | | | | 7 | 8 | 9 | - | - | - | | | | |

| ASSEMBLY DESCRIPTION | ASSEMBLY PART NUMBER | COMPONENT | | | | BLOCKED TERMINALS | | | | | | STATUS | COMMENT | OPTIONAL ATTACHMENTS SOLD SEPARATELY | |
|----------------------------|----------------------|--|-------------|-----|----------|--|---|---|----|----|---|----------|---------------|--------------------------------------|------------------------|
| | | THE PRESENCE OF AN ABBREVIATION INDICATES THE PRESENCE OF THAT COMPONENT | | | | CAVITY WITH A NUMBER INDICATES BLOCKED TERMINAL POSITION CAVITY WITHOUT A NUMBER INDICATES OPEN TERMINAL POSITION | | | | | | | | BACKSHELL WITH RIBS | BACKSHELL WITHOUT RIBS |
| | | HOUSING KEY/COLOR | GROMMET CAP | PLR | MAT SEAL | | | | | | | | | | |
| MX150 ASSY BLD 2X6 BK A/6 | 334821251 | A-BLACK | GCP | PLR | M-R | - | 2 | - | 4 | 5 | - | OBSOLETE | SEE 334826251 | 34950-1210 | 34950-1220 |
| MX150 ASSY BLD 2X6 BK A/11 | 334821252 | A-BLACK | GCP | PLR | M-R | - | 8 | - | 10 | 11 | - | OBSOLETE | SEE 334826252 | 34950-1210 | 34950-1220 |
| MX150 ASSY BLD 2X6 BK A/2 | 334821253 | A-BLACK | GCP | PLR | M-R | - | 2 | 3 | 4 | 5 | 6 | OBSOLETE | SEE 334826253 | 34950-1210 | 34950-1220 |
| MX150 ASSY BLD 2X6 BK A/5 | 334821254 | A-BLACK | GCP | PLR | M-R | - | 2 | 3 | 4 | 5 | - | OBSOLETE | SEE 334826254 | 34950-1210 | 34950-1220 |
| MX150 ASSY BLD 2X6 BK A/3 | 334821255 | A-BLACK | GCP | PLR | M-R | - | 2 | 3 | 4 | 5 | 6 | OBSOLETE | SEE 334826255 | 34950-1210 | 34950-1220 |
| MX150 ASSY BLD 2X6 BK A/8 | 334821256 | A-BLACK | GCP | PLR | M-R | 1 | - | - | - | - | 6 | OBSOLETE | SEE 334826256 | 34950-1210 | 34950-1220 |
| MX150 ASSY BLD 2X6 BK A/9 | 334821257 | A-BLACK | GCP | PLR | M-R | - | - | - | - | - | - | OBSOLETE | SEE 334826257 | 34950-1210 | 34950-1220 |
| MX150 ASSY BLD 2X6 BK A/9 | 334821258 | A-BLACK | GCP | PLR | M-R | - | 2 | 3 | - | - | - | OBSOLETE | SEE 334826258 | 34950-1210 | 34950-1220 |
| MX150 ASSY BLD 2X6 BK A/3 | 334821259 | A-BLACK | GCP | PLR | M-R | 1 | 2 | 3 | 4 | 5 | - | OBSOLETE | SEE 334826259 | 34950-1210 | 34950-1220 |
| MX150 ASSY BLD 2X6 BK A/10 | 334821260 | A-BLACK | GCP | PLR | M-R | - | - | - | - | - | - | OBSOLETE | SEE 334826260 | 34950-1210 | 34950-1220 |
| MX150 ASSY BLD 2X6 DG C/12 | 334821261 | C-DARK GRAY | GCP | PLR | M-R | - | - | - | - | - | - | OBSOLETE | SEE 334826261 | 34950-1210 | 34950-1220 |
| MX150 ASSY BLD 2X6 SG D/12 | 334821262 | D-STONE GRAY | GCP | PLR | M-R | - | - | - | - | - | - | OBSOLETE | SEE 334826262 | 34950-1210 | 34950-1220 |
| MX150 ASSY BLD 2X6 DG C/0 | 334821263 | C-DARK GRAY | GCP | PLR | M-R | 1 | 2 | 3 | 4 | 5 | 6 | OBSOLETE | SEE 334826263 | 34950-1210 | 34950-1220 |
| MX150 ASSY BLD 2X6 SG D/0 | 334821264 | D-STONE GRAY | GCP | PLR | M-R | 1 | 2 | 3 | 4 | 5 | 6 | OBSOLETE | SEE 334826264 | 34950-1210 | 34950-1220 |
| MX150 ASSY BLD 2X6 BK A/6 | 334821265 | A-BLACK | GCP | PLR | M-R | - | - | - | - | - | 6 | OBSOLETE | SEE 334826265 | 34950-1210 | 34950-1220 |
| MX150 ASSY BLD 2X6 BK A/4 | 334821266 | A-BLACK | GCP | PLR | M-R | 1 | 2 | 3 | 4 | 5 | 6 | OBSOLETE | SEE 334826266 | 34950-1210 | 34950-1220 |
| MX150 ASSY BLD 2X6 BK A/7 | 334821267 | A-BLACK | GCP | PLR | M-R | - | - | 3 | 4 | 5 | 6 | OBSOLETE | SEE 334826267 | 34950-1210 | 34950-1220 |
| MX150 ASSY BLD 2X6 BK A/3 | 334821268 | A-BLACK | GCP | PLR | M-R | - | - | 3 | 4 | 5 | 6 | OBSOLETE | SEE 334826268 | 34950-1210 | 34950-1220 |
| MX150 ASSY BLD 2X6 BK A/2 | 334821269 | A-BLACK | GCP | PLR | M-R | 1 | 2 | 3 | 4 | 5 | - | OBSOLETE | SEE 334826269 | 34950-1210 | 34950-1220 |
| MX150 ASSY BLD 2X6 BK A/6 | 334821270 | A-BLACK | GCP | PLR | M-R | - | 2 | - | 4 | - | - | OBSOLETE | SEE 334826270 | 34950-1210 | 34950-1220 |
| MX150 ASSY BLD 2X6 BK A/8 | 334821271 | A-BLACK | GCP | PLR | M-R | - | 2 | - | - | - | - | OBSOLETE | SEE 334826271 | 34950-1210 | 34950-1220 |
| MX150 ASSY BLD 2X6 BK A/7 | 334821272 | A-BLACK | GCP | PLR | M-R | - | 2 | - | - | - | - | OBSOLETE | SEE 334826272 | 34950-1210 | 34950-1220 |
| MX150 ASSY BLD 2X6 BK A/11 | 334821273 | A-BLACK | GCP | PLR | M-R | - | - | - | - | - | - | OBSOLETE | SEE 334826273 | 34950-1210 | 34950-1220 |
| MX150 ASSY BLD 2X6 BK A/3 | 334821274 | A-BLACK | GCP | PLR | M-R | 1 | - | 3 | 4 | 5 | 6 | OBSOLETE | SEE 334826274 | 34950-1210 | 34950-1220 |
| MX150 ASSY BLD 2X6 BK A/9 | 334821275 | A-BLACK | GCP | PLR | M-R | - | - | - | 4 | - | - | OBSOLETE | SEE 334826275 | 34950-1210 | 34950-1220 |
| MX150 ASSY BLD 2X6 BK A/3 | 334821276 | A-BLACK | GCP | PLR | M-R | 1 | 2 | 3 | 4 | - | 6 | OBSOLETE | SEE 334826276 | 34950-1210 | 34950-1220 |
| MX150 ASSY BLD 2X6 BK A/7 | 334821277 | A-BLACK | GCP | PLR | M-R | 1 | 2 | 3 | - | - | - | OBSOLETE | SEE 334826277 | 34950-1210 | 34950-1220 |

| ASSEMBLY DESCRIPTION | ASSEMBLY PART NUMBER | COMPONENT | | | | BLOCKED TERMINALS | | | | | | STATUS | COMMENT | OPTIONAL ATTACHMENTS SOLD SEPARATELY | |
|----------------------------|----------------------|--|-------------|-----|----------|--|---|---|---|---|---|----------|---------------|--------------------------------------|------------------------|
| | | THE PRESENCE OF AN ABBREVIATION INDICATES THE PRESENCE OF THAT COMPONENT | | | | CAVITY WITH A NUMBER INDICATES BLOCKED TERMINAL POSITION CAVITY WITHOUT A NUMBER INDICATES OPEN TERMINAL POSITION | | | | | | | | BACKSHELL WITH RIBS | BACKSHELL WITHOUT RIBS |
| | | HOUSING KEY/COLOR | GROMMET CAP | PLR | MAT SEAL | | | | | | | | | | |
| MX150 ASSY BLD 2X6 BK A/10 | 334821278 | A-BLACK | GCP | PLR | M-R | - | - | - | - | - | 6 | OBSOLETE | SEE 334826226 | 34950-1210 | 34950-1220 |
| MX150 ASSY BLD 2X6 BK A/2 | 334821279 | A-BLACK | GCP | PLR | M-R | 1 | 2 | 3 | 4 | 5 | - | OBSOLETE | SEE 334826279 | 34950-1210 | 34950-1220 |
| MX150 ASSY BLD 2X6 BK A/5 | 334821280 | A-BLACK | GCP | PLR | M-R | 1 | 2 | 3 | 4 | 5 | 6 | OBSOLETE | SEE 334826280 | 34950-1210 | 34950-1220 |
| MX150 ASSY BLD 2X6 BK A/6 | 334821281 | A-BLACK | GCP | PLR | M-R | - | 2 | - | 4 | - | 6 | OBSOLETE | SEE 334826281 | 34950-1210 | 34950-1220 |
| MX150 ASSY BLD 2X6 BK A/2 | 334821282 | A-BLACK | GCP | PLR | M-R | 1 | 2 | 3 | 4 | 5 | 6 | OBSOLETE | SEE 334826282 | 34950-1210 | 34950-1220 |
| MX150 ASSY BLD 2X6 BK A/7 | 334821283 | A-BLACK | GCP | PLR | M-R | - | - | - | - | - | 6 | OBSOLETE | SEE 334826283 | 34950-1210 | 34950-1220 |
| MX150 ASSY BLD 2X6 BK A/2 | 334821284 | A-BLACK | GCP | PLR | M-R | 1 | - | 3 | 4 | 5 | 6 | OBSOLETE | SEE 334826284 | 34950-1210 | 34950-1220 |
| MX150 ASSY BLD 2X6 SG D/9 | 334821285 | D-STONE GRAY | GCP | PLR | M-R | 1 | - | - | - | - | 6 | OBSOLETE | SEE 334826285 | 34950-1210 | 34950-1220 |
| MX150 ASSY BLD 2X6 BK A/8 | 334821286 | A-BLACK | GCP | PLR | M-R | - | 2 | 3 | - | - | - | OBSOLETE | SEE 334826286 | 34950-1210 | 34950-1220 |
| MX150 ASSY BLD 2X6 BK A/10 | 334821287 | A-BLACK | GCP | PLR | M-R | 1 | - | - | - | - | - | OBSOLETE | SEE 334826287 | 34950-1210 | 34950-1220 |
| MX150 ASSY BLD 2X6 BK A/10 | 334821288 | A-BLACK | GCP | PLR | M-R | 1 | - | - | - | - | 6 | OBSOLETE | SEE 334826288 | 34950-1210 | 34950-1220 |
| MX150 ASSY BLD 2X6 BK A/5 | 334821289 | A-BLACK | GCP | PLR | M-R | 1 | 2 | 3 | 4 | 5 | 6 | OBSOLETE | SEE 334826289 | 34950-1210 | 34950-1220 |
| MX150 ASSY BLD 2X6 BK A/9 | 334821290 | A-BLACK | GCP | PLR | M-R | 1 | - | - | - | - | - | OBSOLETE | SEE 334826290 | 34950-1210 | 34950-1220 |
| MX150 ASSY BLD 2X6 BK A/3 | 334821291 | A-BLACK | GCP | PLR | M-R | 1 | 2 | 3 | 4 | 5 | 6 | OBSOLETE | SEE 334826291 | 34950-1210 | 34950-1220 |
| MX150 ASSY BLD 2X6 BK A/11 | 334821292 | A-BLACK | GCP | PLR | M-R | - | - | - | - | - | - | OBSOLETE | SEE 334826292 | 34950-1210 | 34950-1220 |
| MX150 ASSY BLD 2X6 BK A/6 | 334821293 | A-BLACK | GCP | PLR | M-R | - | - | 3 | 4 | - | - | OBSOLETE | SEE 334826293 | 34950-1210 | 34950-1220 |
| MX150 ASSY BLD 2X6 BK A/6 | 334821294 | A-BLACK | GCP | PLR | M-R | 1 | 2 | - | - | 5 | 6 | OBSOLETE | SEE 334826294 | 34950-1210 | 34950-1220 |
| MX150 ASSY BLD 2X6 BK A/4 | 334821295 | A-BLACK | GCP | PLR | M-R | 1 | 2 | - | - | 5 | 6 | OBSOLETE | SEE 334826295 | 34950-1210 | 34950-1220 |
| MX150 ASSY BLD 2X6 BK A/2 | 334821296 | A-BLACK | GCP | PLR | M-R | 1 | 2 | 3 | 4 | 5 | 6 | OBSOLETE | SEE 334826296 | 34950-1210 | 34950-1220 |
| MX150 ASSY BLD 2X6 BK A/7 | 334821297 | A-BLACK | GCP | PLR | M-R | - | - | - | 4 | - | 6 | OBSOLETE | SEE 334826297 | 34950-1210 | 34950-1220 |
| MX150 ASSY BLD 2X6 BK A/9 | 334821298 | A-BLACK | GCP | PLR | M-R | - | - | - | - | - | 6 | OBSOLETE | SEE 334826298 | 34950-1210 | 34950-1220 |
| MX150 ASSY BLD 2X6 BK A/8 | 334821299 | A-BLACK | GCP | PLR | M-R | 1 | 2 | - | - | - | - | OBSOLETE | SEE 334826299 | 34950-1210 | 34950-1220 |
| MX150 ASSY BLD 2X6 BK A/5 | 334821300 | A-BLACK | GCP | PLR | M-R | 1 | 2 | 3 | - | - | - | OBSOLETE | SEE 334826300 | 34950-1210 | 34950-1220 |
| MX150 ASSY BLD 2X6 BK A/7 | 334821301 | A-BLACK | GCP | PLR | M-R | 1 | 2 | - | - | - | - | OBSOLETE | SEE 334826301 | 34950-1210 | 34950-1220 |
| MX150 ASSY BLD 2X6 LG B/10 | 334821302 | B-LIGHT GRAY | GCP | PLR | M-R | - | - | - | - | - | - | OBSOLETE | SEE 334826302 | 34950-1210 | 34950-1220 |
| MX150 ASSY BLD 2X6 BK A/3 | 334821303 | A-BLACK | GCP | PLR | M-R | 1 | 2 | 3 | 4 | - | - | OBSOLETE | SEE 334826303 | 34950-1210 | 34950-1220 |
| MX150 ASSY BLD 2X6 BK A/4 | 334821304 | A-BLACK | GCP | PLR | M-R | 1 | 2 | 3 | 4 | - | - | OBSOLETE | SEE 334826304 | 34950-1210 | 34950-1220 |

| ASSEMBLY DESCRIPTION | ASSEMBLY PART NUMBER | COMPONENT | | | | BLOCKED TERMINALS | | | | | | STATUS | COMMENT | OPTIONAL ATTACHMENTS SOLD SEPARATELY | |
|----------------------------|----------------------|--|-------------|-----|----------|--|---|---|---|---|---|----------|---------------|--------------------------------------|------------------------|
| | | THE PRESENCE OF AN ABBREVIATION INDICATES THE PRESENCE OF THAT COMPONENT | | | | CAVITY WITH A NUMBER INDICATES BLOCKED TERMINAL POSITION CAVITY WITHOUT A NUMBER INDICATES OPEN TERMINAL POSITION | | | | | | | | BACKSHELL WITH RIBS | BACKSHELL WITHOUT RIBS |
| | | HOUSING KEY/COLOR | GROMMET CAP | PLR | MAT SEAL | | | | | | | | | | |
| MX150 ASSY BLD 2X6 LG B/9 | 334821305 | B-LIGHT GRAY | GCP | PLR | M-R | - | - | - | - | - | - | OBSOLETE | SEE 334826305 | 34950-1210 | 34950-1220 |
| MX150 ASSY BLD 2X6 LG B/2 | 334821306 | B-LIGHT GRAY | GCP | PLR | M-R | 1 | 2 | 3 | 4 | 5 | 6 | OBSOLETE | SEE 334826306 | 34950-1210 | 34950-1220 |
| MX150 ASSY BLD 2X6 BK A/5 | 334821307 | A-BLACK | GCP | PLR | M-R | 1 | 2 | 3 | 4 | 5 | - | OBSOLETE | SEE 334826307 | 34950-1210 | 34950-1220 |
| MX150 ASSY BLD 2X6 BK A/6 | 334821308 | A-BLACK | GCP | PLR | M-R | - | - | - | - | - | - | OBSOLETE | SEE 334826308 | 34950-1210 | 34950-1220 |
| MX150 ASSY BLD 2X6 BK A/8 | 334821309 | A-BLACK | GCP | PLR | M-R | 1 | - | - | - | - | - | OBSOLETE | SEE 334826309 | 34950-1210 | 34950-1220 |
| MX150 ASSY BLD 2X6 BK A/9 | 334821310 | A-BLACK | GCP | PLR | M-R | 1 | - | - | 4 | - | - | OBSOLETE | SEE 334826310 | 34950-1210 | 34950-1220 |
| MX150 ASSY BLD 2X6 BK A/2 | 334821311 | A-BLACK | GCP | PLR | M-R | 1 | 2 | - | 4 | 5 | 6 | OBSOLETE | SEE 334826311 | 34950-1210 | 34950-1220 |
| MX150 ASSY BLD 2X6 BK A/10 | 334821312 | A-BLACK | GCP | PLR | M-R | - | - | - | - | - | - | OBSOLETE | SEE 334826312 | 34950-1210 | 34950-1220 |
| MX150 ASSY BLD 2X6 BK A/4 | 334821313 | A-BLACK | GCP | PLR | M-R | - | - | 3 | 4 | 5 | 6 | OBSOLETE | SEE 334826313 | 34950-1210 | 34950-1220 |
| MX150 ASSY BLD 2X6 BK A/6 | 334821314 | A-BLACK | GCP | PLR | M-R | - | - | 3 | - | - | 6 | OBSOLETE | SEE 334826314 | 34950-1210 | 34950-1220 |
| MX150 ASSY BLD 2X6 BK A/8 | 334821315 | A-BLACK | GCP | PLR | M-R | - | - | - | - | - | 6 | OBSOLETE | SEE 334826315 | 34950-1210 | 34950-1220 |
| MX150 ASSY BLD 2X6 BK A/7 | 334821316 | A-BLACK | GCP | PLR | M-R | - | - | - | - | 5 | 6 | OBSOLETE | SEE 334826316 | 34950-1210 | 34950-1220 |
| MX150 ASSY BLD 2X6 BK A/10 | 334821317 | A-BLACK | GCP | PLR | M-R | 1 | 2 | - | - | - | - | OBSOLETE | SEE 334826317 | 34950-1210 | 34950-1220 |
| MX150 ASSY BLD 2X6 BK A/4 | 334821318 | A-BLACK | GCP | PLR | M-R | 1 | 2 | 3 | 4 | 5 | 6 | OBSOLETE | SEE 334826318 | 34950-1210 | 34950-1220 |
| MX150 ASSY BLD 2X6 BK A/3 | 334821319 | A-BLACK | GCP | PLR | M-R | 1 | 2 | 3 | 4 | 5 | 6 | OBSOLETE | SEE 334826319 | 34950-1210 | 34950-1220 |
| MX150 ASSY BLD 2X6 DG C/9 | 334821320 | C-DARK GRAY | GCP | PLR | M-R | 1 | - | - | - | - | 6 | OBSOLETE | SEE 334826320 | 34950-1210 | 34950-1220 |
| MX150 ASSY BLD 2X6 BR C/6 | 334821321 | C-BROWN | GCP | PLR | M-R | 1 | 2 | 3 | 4 | 5 | 6 | OBSOLETE | SEE 334826328 | 34950-1210 | 34950-1220 |
| MX150 ASSY BLD 2X6 BR C/8 | 334821322 | C-BROWN | GCP | PLR | M-R | 1 | 2 | - | - | 5 | 6 | OBSOLETE | SEE 334826329 | 34950-1210 | 34950-1220 |
| MX150 ASSY BLD 2X6 BK A/6 | 334821323 | A-BLACK | GCP | PLR | M-R | - | - | 3 | - | - | - | OBSOLETE | SEE 334826323 | 34950-1210 | 34950-1220 |
| MX150 ASSY BLD 2X6 BK A/7 | 334821324 | A-BLACK | GCP | PLR | M-R | - | - | 3 | - | - | - | OBSOLETE | SEE 334826324 | 34950-1210 | 34950-1220 |
| MX150 ASSY BLD 2X6 BK A/10 | 334821325 | A-BLACK | GCP | PLR | M-R | - | - | 3 | - | - | - | OBSOLETE | SEE 334826325 | 34950-1210 | 34950-1220 |
| MX150 ASSY BLD 2X6 BK A/7 | 334821326 | A-BLACK | GCP | PLR | M-R | - | - | - | - | 5 | 6 | OBSOLETE | SEE 334826326 | 34950-1210 | 34950-1220 |
| MX150 ASSY BLD 2X6 BK A/10 | 334821327 | A-BLACK | GCP | PLR | M-R | - | - | - | - | - | - | OBSOLETE | SEE 334826327 | 34950-1210 | 34950-1220 |
| MX150 ASSY BLD 2X6 DG C/6 | 334821328 | C-DARK GRAY | GCP | PLR | M-R | 1 | 2 | 3 | 4 | 5 | 6 | OBSOLETE | SEE 334826328 | 34950-1210 | 34950-1220 |
| MX150 ASSY BLD 2X6 DG C/8 | 334821329 | C-DARK GRAY | GCP | PLR | M-R | 1 | 2 | - | - | 5 | 6 | OBSOLETE | SEE 334826329 | 34950-1210 | 34950-1220 |
| MX150 ASSY BLD 2X6 BK A/4 | 334821330 | A-BLACK | GCP | PLR | M-R | 1 | 2 | 3 | 4 | - | - | OBSOLETE | SEE 334826330 | 34950-1210 | 34950-1220 |
| MX150 ASSY BLD 2X6 BK A/6 | 334821331 | A-BLACK | GCP | PLR | M-R | 1 | 2 | - | - | - | 6 | OBSOLETE | SEE 334826331 | 34950-1210 | 34950-1220 |

| ASSEMBLY DESCRIPTION | ASSEMBLY PART NUMBER | COMPONENT | | | | BLOCKED TERMINALS | | | | | | STATUS | COMMENT | OPTIONAL ATTACHMENTS SOLD SEPARATELY | |
|----------------------------|----------------------|--|-------------|-----|----------|--|---|---|---|---|---|----------|---------------|--------------------------------------|------------------------|
| | | THE PRESENCE OF AN ABBREVIATION INDICATES THE PRESENCE OF THAT COMPONENT | | | | CAVITY WITH A NUMBER INDICATES BLOCKED TERMINAL POSITION CAVITY WITHOUT A NUMBER INDICATES OPEN TERMINAL POSITION | | | | | | | | BACKSHELL WITH RIBS | BACKSHELL WITHOUT RIBS |
| | | HOUSING KEY/COLOR | GROMMET CAP | PLR | MAT SEAL | | | | | | | | | | |
| MX150 ASSY BLD 2X6 BK A/6 | 334821332 | A-BLACK | GCP | PLR | M-R | - | - | - | 4 | 5 | - | OBSOLETE | SEE 334826332 | 34950-1210 | 34950-1220 |
| MX150 ASSY BLD 2X6 BK A/9 | 334821333 | A-BLACK | GCP | PLR | M-R | - | - | - | 4 | - | - | OBSOLETE | SEE 334826333 | 34950-1210 | 34950-1220 |
| MX150 ASSY BLD 2X6 BK A/8 | 334821334 | A-BLACK | GCP | PLR | M-R | - | - | - | 4 | 5 | - | OBSOLETE | SEE 334826334 | 34950-1210 | 34950-1220 |
| MX150 ASSY BLD 2X6 BK A/5 | 334821335 | A-BLACK | GCP | PLR | M-R | 1 | 2 | - | 4 | 5 | 6 | OBSOLETE | SEE 334826335 | 34950-1210 | 34950-1220 |
| MX150 ASSY BLD 2X6 YW A/12 | 334821336 | A-YELLOW | GCP | PLR | M-R | - | - | - | - | - | - | OBSOLETE | SEE 334826336 | 34950-1210 | 34950-1220 |
| MX150 ASSY BLD 2X6 LG B/10 | 334821337 | B-LIGHT GRAY | GCP | PLR | M-R | - | - | - | - | 5 | - | OBSOLETE | SEE 334826337 | 34950-1210 | 34950-1220 |
| MX150 ASSY BLD 2X6 LG B/8 | 334821338 | B-LIGHT GRAY | GCP | PLR | M-R | - | - | - | - | 5 | - | OBSOLETE | SEE 334826338 | 34950-1210 | 34950-1220 |
| MX150 ASSY BLD 2X6 LG B/4 | 334821339 | B-LIGHT GRAY | GCP | PLR | M-R | - | - | 3 | 4 | 5 | - | OBSOLETE | SEE 334826339 | 34950-1210 | 34950-1220 |
| MX150 ASSY BLD 2X6 LG B/2 | 334821340 | B-LIGHT GRAY | GCP | PLR | M-R | 1 | 2 | 3 | 4 | 5 | - | OBSOLETE | SEE 334826340 | 34950-1210 | 34950-1220 |
| MX150 ASSY BLD 2X6 BK A/6 | 334821341 | A-BLACK | GCP | PLR | M-R | 1 | 2 | 3 | - | 5 | - | OBSOLETE | SEE 334826341 | 34950-1210 | 34950-1220 |
| MX150 ASSY BLD 2X6 BK A/8 | 334821342 | A-BLACK | GCP | PLR | M-R | - | 2 | 3 | - | 5 | - | OBSOLETE | SEE 334826342 | 34950-1210 | 34950-1220 |
| MX150 ASSY BLD 2X6 BK A/7 | 334821343 | A-BLACK | GCP | PLR | M-R | 1 | 2 | 3 | - | - | - | OBSOLETE | SEE 334826343 | 34950-1210 | 34950-1220 |
| MX150 ASSY BLD 2X6 BK A/4 | 334821344 | A-BLACK | GCP | PLR | M-R | 1 | 2 | 3 | 4 | 5 | - | OBSOLETE | SEE 334826344 | 34950-1210 | 34950-1220 |
| MX150 ASSY BLD 2X6 BK A/6 | 334821345 | A-BLACK | GCP | PLR | M-R | - | 2 | 3 | 4 | 5 | - | OBSOLETE | SEE 334826345 | 34950-1210 | 34950-1220 |
| MX150 ASSY BLD 2X6 BK A/11 | 334821346 | A-BLACK | GCP | PLR | M-R | 1 | - | - | - | - | - | OBSOLETE | SEE 334826346 | 34950-1210 | 34950-1220 |
| MX150 ASSY BLD 2X6 BK A/9 | 334821347 | A-BLACK | GCP | PLR | M-R | 1 | 2 | 3 | - | - | - | OBSOLETE | SEE 334826347 | 34950-1210 | 34950-1220 |
| MX150 ASSY BLD 2X6 LG B/5 | 334821348 | B-LIGHT GRAY | GCP | PLR | M-R | 1 | 2 | 3 | 4 | - | 6 | OBSOLETE | SEE 334826348 | 34950-1210 | 34950-1220 |
| MX150 ASSY BLD 2X6 BK A/9 | 334821349 | A-BLACK | GCP | PLR | M-R | - | - | - | 4 | - | - | OBSOLETE | SEE 334826349 | 34950-1210 | 34950-1220 |
| MX150 ASSY BLD 2X6 BK A/10 | 334821350 | A-BLACK | GCP | PLR | M-R | - | 2 | - | - | - | - | OBSOLETE | SEE 334826350 | 34950-1210 | 34950-1220 |
| MX150 ASSY BLD 2X6 BK A/8 | 334821351 | A-BLACK | GCP | PLR | M-R | - | 2 | - | 4 | - | - | OBSOLETE | SEE 334826351 | 34950-1210 | 34950-1220 |
| MX150 ASSY BLD 2X6 BK A/2 | 334821352 | A-BLACK | GCP | PLR | M-R | 1 | 2 | 3 | 4 | 5 | 6 | OBSOLETE | SEE 334826352 | 34950-1210 | 34950-1220 |
| MX150 ASSY BLD 2X6 BK A/7 | 334821353 | A-BLACK | GCP | PLR | M-R | 1 | - | - | - | - | 6 | OBSOLETE | SEE 334826353 | 34950-1210 | 34950-1220 |
| MX150 ASSY BLD 2X6 BK A/4 | 334821354 | A-BLACK | GCP | PLR | M-R | - | 2 | 3 | 4 | - | 6 | OBSOLETE | SEE 334826354 | 34950-1210 | 34950-1220 |
| MX150 ASSY BLD 2X6 BK A/6 | 334821355 | A-BLACK | GCP | PLR | M-R | - | 2 | - | - | - | 6 | OBSOLETE | SEE 334826355 | 34950-1210 | 34950-1220 |
| MX150 ASSY BLD 2X6 BK A/4 | 334821356 | A-BLACK | GCP | PLR | M-R | 1 | 2 | 3 | 4 | - | 6 | OBSOLETE | SEE 334826356 | 34950-1210 | 34950-1220 |
| MX150 ASSY BLD 2X6 BK A/10 | 334821357 | A-BLACK | GCP | PLR | M-R | - | - | - | - | 5 | - | OBSOLETE | SEE 334826357 | 34950-1210 | 34950-1220 |
| MX150 ASSY BLD 2X6 BK A/10 | 334821358 | A-BLACK | GCP | PLR | M-R | - | - | - | 4 | - | - | OBSOLETE | SEE 334826358 | 34950-1210 | 34950-1220 |

| ASSEMBLY DESCRIPTION | ASSEMBLY PART NUMBER | COMPONENT | | | | BLOCKED TERMINALS | | | | | | STATUS | COMMENT | OPTIONAL ATTACHMENTS SOLD SEPARATELY | |
|----------------------------|----------------------|--|-------------|-----|----------|--|---|---|----|----|----|----------|---------------|--------------------------------------|------------------------|
| | | THE PRESENCE OF AN ABBREVIATION INDICATES THE PRESENCE OF THAT COMPONENT | | | | CAVITY WITH A NUMBER INDICATES BLOCKED TERMINAL POSITION CAVITY WITHOUT A NUMBER INDICATES OPEN TERMINAL POSITION | | | | | | | | BACKSHELL WITH RIBS | BACKSHELL WITHOUT RIBS |
| | | HOUSING KEY/COLOR | GROMMET CAP | PLR | MAT SEAL | | | | | | | | | | |
| MX150 ASSY BLD 2X6 BK A/5 | 334821359 | A-BLACK | GCP | PLR | M-R | - | - | - | 4 | - | - | OBSOLETE | SEE 334826359 | 34950-1210 | 34950-1220 |
| MX150 ASSY BLD 2X6 BK A/5 | 334821360 | A-BLACK | GCP | PLR | M-R | 7 | 8 | 9 | 10 | 11 | 12 | OBSOLETE | SEE 334826360 | 34950-1210 | 34950-1220 |
| MX150 ASSY BLD 2X6 BK A/4 | 334821361 | A-BLACK | GCP | PLR | M-R | - | - | - | 4 | 5 | 6 | OBSOLETE | SEE 334826361 | 34950-1210 | 34950-1220 |
| MX150 ASSY BLD 2X6 BK A/2 | 334821362 | A-BLACK | GCP | PLR | M-R | - | 8 | 9 | 10 | 11 | 12 | OBSOLETE | SEE 334826362 | 34950-1210 | 34950-1220 |
| MX150 ASSY BLD 2X6 BK A/4 | 334821363 | A-BLACK | GCP | PLR | M-R | 1 | 2 | 3 | - | 5 | 6 | OBSOLETE | SEE 334826363 | 34950-1210 | 34950-1220 |
| MX150 ASSY BLD 2X6 BK A/8 | 334821364 | A-BLACK | GCP | PLR | M-R | 7 | 8 | 9 | - | 11 | 12 | OBSOLETE | SEE 334826364 | 34950-1210 | 34950-1220 |
| MX150 ASSY BLD 2X6 BK A/5 | 334821365 | A-BLACK | GCP | PLR | M-R | - | - | - | 4 | 5 | - | OBSOLETE | SEE 334826365 | 34950-1210 | 34950-1220 |
| MX150 ASSY BLD 2X6 BK A/6 | 334821366 | A-BLACK | GCP | PLR | M-R | 7 | 8 | 9 | 10 | 11 | 12 | OBSOLETE | SEE 334826366 | 34950-1210 | 34950-1220 |
| MX150 ASSY BLD 2X6 BK A/9 | 334821367 | A-BLACK | GCP | PLR | M-R | 1 | 2 | - | - | - | 6 | OBSOLETE | SEE 334826367 | 34950-1210 | 34950-1220 |
| MX150 ASSY BLD 2X6 BK A/2 | 334821368 | A-BLACK | GCP | PLR | M-R | 7 | - | - | - | - | - | OBSOLETE | SEE 334826368 | 34950-1210 | 34950-1220 |
| MX150 ASSY BLD 2X6 BK A/11 | 334821369 | A-BLACK | GCP | PLR | M-R | - | - | - | 4 | - | - | OBSOLETE | SEE 334826369 | 34950-1210 | 34950-1220 |
| MX150 ASSY BLD 2X6 BK A/4 | 334821370 | A-BLACK | GCP | PLR | M-R | - | - | - | - | - | 6 | OBSOLETE | SEE 334826370 | 34950-1210 | 34950-1220 |
| MX150 ASSY BLD 2X6 BK A/9 | 334821371 | A-BLACK | GCP | PLR | M-R | 7 | 8 | 9 | 10 | 11 | 12 | OBSOLETE | SEE 334826371 | 34950-1210 | 34950-1220 |
| MX150 ASSY BLD 2X6 BK A/6 | 334821372 | A-BLACK | GCP | PLR | M-R | 1 | 2 | - | - | - | 6 | OBSOLETE | SEE 334826372 | 34950-1210 | 34950-1220 |
| MX150 ASSY BLD 2X6 BK A/6 | 334821373 | A-BLACK | GCP | PLR | M-R | - | 8 | - | 10 | - | 12 | OBSOLETE | SEE 334826373 | 34950-1210 | 34950-1220 |
| MX150 ASSY BLD 2X6 BK A/8 | 334821374 | A-BLACK | GCP | PLR | M-R | - | 2 | - | 4 | - | 6 | OBSOLETE | SEE 334826374 | 34950-1210 | 34950-1220 |
| MX150 ASSY BLD 2X6 BK A/9 | 334821375 | A-BLACK | GCP | PLR | M-R | 7 | - | 9 | 10 | - | - | OBSOLETE | SEE 334826375 | 34950-1210 | 34950-1220 |
| MX150 ASSY BLD 2X6 BK A/9 | 334821376 | A-BLACK | GCP | PLR | M-R | - | - | - | 10 | 11 | 12 | OBSOLETE | SEE 334826376 | 34950-1210 | 34950-1220 |
| MX150 ASSY BLD 2X6 BK A/3 | 334821377 | A-BLACK | GCP | PLR | M-R | 1 | 2 | 3 | 4 | - | 6 | OBSOLETE | SEE 334826377 | 34950-1210 | 34950-1220 |
| MX150 ASSY BLD 2X6 BK A/7 | 334821378 | A-BLACK | GCP | PLR | M-R | - | - | 9 | 10 | 11 | 12 | OBSOLETE | SEE 334826378 | 34950-1210 | 34950-1220 |
| MX150 ASSY BLD 2X6 BK A/5 | 334821379 | A-BLACK | GCP | PLR | M-R | 1 | - | 3 | - | 5 | - | OBSOLETE | SEE 334826379 | 34950-1210 | 34950-1220 |
| MX150 ASSY BLD 2X6 BK A/9 | 334821380 | A-BLACK | GCP | PLR | M-R | - | 8 | - | 10 | 11 | 12 | OBSOLETE | SEE 334826380 | 34950-1210 | 34950-1220 |
| MX150 ASSY BLD 2X6 BK A/8 | 334821381 | A-BLACK | GCP | PLR | M-R | 7 | 8 | - | - | - | - | OBSOLETE | SEE 334826381 | 34950-1210 | 34950-1220 |
| MX150 ASSY BLD 2X6 BK A/6 | 334821382 | A-BLACK | GCP | PLR | M-R | - | 2 | - | 4 | - | - | OBSOLETE | SEE 334826382 | 34950-1210 | 34950-1220 |
| MX150 ASSY BLD 2X6 BK A/3 | 334821383 | A-BLACK | GCP | PLR | M-R | - | 8 | - | 10 | 11 | - | OBSOLETE | SEE 334826383 | 34950-1210 | 34950-1220 |
| MX150 ASSY BLD 2X6 BK A/8 | 334821384 | A-BLACK | GCP | PLR | M-R | 1 | 2 | 3 | 4 | - | - | OBSOLETE | SEE 334826384 | 34950-1210 | 34950-1220 |
| MX150 ASSY BLD 2X6 BK A/8 | 334821385 | A-BLACK | GCP | PLR | M-R | 7 | 8 | 9 | 10 | 11 | - | OBSOLETE | SEE 334826385 | 34950-1210 | 34950-1220 |
| MX150 ASSY BLD 2X6 BK A/8 | 334821385 | A-BLACK | GCP | PLR | M-R | - | - | 3 | 4 | - | - | OBSOLETE | SEE 334826385 | 34950-1210 | 34950-1220 |
| MX150 ASSY BLD 2X6 BK A/8 | 334821385 | A-BLACK | GCP | PLR | M-R | - | - | - | - | 11 | 12 | OBSOLETE | SEE 334826385 | 34950-1210 | 34950-1220 |

| ASSEMBLY DESCRIPTION | ASSEMBLY PART NUMBER | COMPONENT | | | | BLOCKED TERMINALS | | | | | | STATUS | COMMENT | OPTIONAL ATTACHMENTS SOLD SEPARATELY | |
|---------------------------|----------------------|--|-------------|-----|----------|--|---|---|---|---|---|----------|---------------|--------------------------------------|------------------------|
| | | THE PRESENCE OF AN ABBREVIATION INDICATES THE PRESENCE OF THAT COMPONENT | | | | CAVITY WITH A NUMBER INDICATES BLOCKED TERMINAL POSITION CAVITY WITHOUT A NUMBER INDICATES OPEN TERMINAL POSITION | | | | | | | | BACKSHELL WITH RIBS | BACKSHELL WITHOUT RIBS |
| | | HOUSING KEY/COLOR | GROMMET CAP | PLR | MAT SEAL | 1 | 2 | 3 | 4 | - | 6 | | | | |
| MX150 ASSY BLD 2X6 BK A/2 | 334821386 | A-BLACK | GCP | PLR | M-R | 1 | 2 | 3 | 4 | - | 6 | OBSOLETE | SEE 334826386 | 34950-1210 | 34950-1220 |
| MX150 ASSY BLD 2X6 BK A/2 | 334821387 | A-BLACK | GCP | PLR | M-R | 1 | 2 | 3 | 4 | 5 | 6 | OBSOLETE | SEE 334826387 | 34950-1210 | 34950-1220 |
| MX150 ASSY BLD 2X6 BK A/6 | 334821388 | A-BLACK | GCP | PLR | M-R | 1 | 2 | 3 | - | - | - | OBSOLETE | SEE 334826388 | 34950-1210 | 34950-1220 |
| MX150 ASSY BLD 2X6 BK A/6 | 334821389 | A-BLACK | GCP | PLR | M-R | 1 | 2 | 3 | - | - | 6 | OBSOLETE | SEE 334826389 | 34950-1210 | 34950-1220 |
| MX150 ASSY BLD 2X6 BK A/8 | 334821390 | A-BLACK | GCP | PLR | M-R | 1 | - | 3 | 4 | - | - | OBSOLETE | SEE 334826390 | 34950-1210 | 34950-1220 |
| MX150 ASSY BLD 2X6 BK A/5 | 334821391 | A-BLACK | GCP | PLR | M-R | 1 | 2 | 3 | - | - | 6 | OBSOLETE | SEE 334826391 | 34950-1210 | 34950-1220 |
| MX150 ASSY BLD 2X6 BK A/7 | 334821392 | A-BLACK | GCP | PLR | M-R | 1 | - | 3 | 4 | - | - | OBSOLETE | SEE 334826392 | 34950-1210 | 34950-1220 |
| MX150 ASSY BLD 2X6 BK A/7 | 334821393 | A-BLACK | GCP | PLR | M-R | - | - | - | 4 | 5 | - | OBSOLETE | SEE 334826393 | 34950-1210 | 34950-1220 |
| MX150 ASSY BLD 2X6 LG B/3 | 334821394 | B-LIGHT GRAY | GCP | PLR | M-R | 1 | 2 | 3 | 4 | - | - | OBSOLETE | SEE 334826394 | 34950-1210 | 34950-1220 |
| MX150 ASSY BLD 2X6 LG B/5 | 334821395 | B-LIGHT GRAY | GCP | PLR | M-R | 1 | 2 | 3 | 4 | - | - | OBSOLETE | SEE 334826395 | 34950-1210 | 34950-1220 |
| MX150 ASSY BLD 2X6 BK A/6 | 334821396 | A-BLACK | GCP | PLR | M-R | 1 | - | - | - | - | 6 | OBSOLETE | SEE 334826396 | 34950-1210 | 34950-1220 |
| MX150 ASSY BLD 2X6 BK A/9 | 334821397 | A-BLACK | GCP | PLR | M-R | - | - | - | 4 | - | 6 | OBSOLETE | SEE 334826397 | 34950-1210 | 34950-1220 |
| MX150 ASSY BLD 2X6 BK A/6 | 334821398 | A-BLACK | GCP | PLR | M-R | - | - | - | 4 | 5 | 6 | OBSOLETE | SEE 334826398 | 34950-1210 | 34950-1220 |
| MX150 ASSY BLD 2X6 BK A/2 | 334821399 | A-BLACK | GCP | PLR | M-R | 1 | 2 | 3 | 4 | 5 | 6 | OBSOLETE | SEE 334826399 | 34950-1210 | 34950-1220 |
| MX150 ASSY BLD 2X6 BK A/7 | 334821400 | A-BLACK | GCP | PLR | M-R | 1 | 2 | 3 | - | - | - | OBSOLETE | SEE 334826400 | 34950-1210 | 34950-1220 |
| MX150 ASSY BLD 2X6 BK A/5 | 334821401 | A-BLACK | GCP | PLR | M-R | 1 | 2 | 3 | - | - | - | OBSOLETE | SEE 334826401 | 34950-1210 | 34950-1220 |
| MX150 ASSY BLD 2X6 BK A/8 | 334821402 | A-BLACK | GCP | PLR | M-R | - | - | - | 4 | 5 | 6 | OBSOLETE | SEE 334826402 | 34950-1210 | 34950-1220 |
| MX150 ASSY BLD 2X6 BK A/4 | 334821403 | A-BLACK | GCP | PLR | M-R | - | - | - | - | 5 | 6 | OBSOLETE | SEE 334826403 | 34950-1210 | 34950-1220 |
| MX150 ASSY BLD 2X6 BK A/7 | 334821404 | A-BLACK | GCP | PLR | M-R | - | - | - | - | 5 | 6 | OBSOLETE | SEE 334826404 | 34950-1210 | 34950-1220 |
| MX150 ASSY BLD 2X6 BK A/9 | 334821405 | A-BLACK | GCP | PLR | M-R | - | - | - | - | - | - | OBSOLETE | SEE 334826405 | 34950-1210 | 34950-1220 |
| MX150 ASSY BLD 2X6 BK A/3 | 334821406 | A-BLACK | GCP | PLR | M-R | - | 2 | 3 | - | 5 | 6 | OBSOLETE | SEE 334826406 | 34950-1210 | 34950-1220 |
| MX150 ASSY BLD 2X6 BK A/8 | 334821407 | A-BLACK | GCP | PLR | M-R | - | - | 3 | - | - | - | OBSOLETE | SEE 334826407 | 34950-1210 | 34950-1220 |
| MX150 ASSY BLD 2X6 BK A/4 | 334821408 | A-BLACK | GCP | PLR | M-R | - | - | - | 4 | 5 | 6 | OBSOLETE | SEE 334826408 | 34950-1210 | 34950-1220 |
| MX150 ASSY BLD 2X6 BK A/3 | 334821409 | A-BLACK | GCP | PLR | M-R | - | - | 3 | 4 | 5 | 6 | OBSOLETE | SEE 334826409 | 34950-1210 | 34950-1220 |
| MX150 ASSY BLD 2X6 BK A/6 | 334821410 | A-BLACK | GCP | PLR | M-R | 1 | 2 | 3 | 4 | - | - | OBSOLETE | SEE 334826410 | 34950-1210 | 34950-1220 |
| MX150 ASSY BLD 2X6 BK A/9 | 334821411 | A-BLACK | GCP | PLR | M-R | - | 2 | 3 | - | - | - | OBSOLETE | SEE 334826411 | 34950-1210 | 34950-1220 |
| MX150 ASSY BLD 2X6 BK A/9 | 334821412 | A-BLACK | GCP | PLR | M-R | - | - | - | - | - | - | OBSOLETE | SEE 334826412 | 34950-1210 | 34950-1220 |

| ASSEMBLY DESCRIPTION | ASSEMBLY PART NUMBER | COMPONENT | | | | BLOCKED TERMINALS | | | | | | STATUS | COMMENT | OPTIONAL ATTACHMENTS SOLD SEPARATELY | | | | |
|----------------------------|----------------------|--|-------------|-----|----------|--|---|---|---|---|---|--------|---------|--------------------------------------|------------------------|---|------------|------------|
| | | THE PRESENCE OF AN ABBREVIATION INDICATES THE PRESENCE OF THAT COMPONENT | | | | CAVITY WITH A NUMBER INDICATES BLOCKED TERMINAL POSITION CAVITY WITHOUT A NUMBER INDICATES OPEN TERMINAL POSITION | | | | | | | | BACKSHELL WITH RIBS | BACKSHELL WITHOUT RIBS | | | |
| | | HOUSING KEY/COLOR | GROMMET CAP | PLR | MAT SEAL | 1 | 2 | 3 | 4 | 5 | 6 | | | | | 7 | 8 | 9 |
| MX150 ASSY BLD 2X6 BK A/8 | 334821413 | A-BLACK | GCP | PLR | M-R | 1 | - | 3 | - | 5 | - | - | - | - | - | - | 34950-1210 | 34950-1220 |
| MX150 ASSY BLD 2X6 BK A/6 | 334821414 | A-BLACK | GCP | PLR | M-R | 1 | - | 3 | - | 5 | - | - | - | - | - | - | 34950-1210 | 34950-1220 |
| MX150 ASSY BLD 2X6 BK A/4 | 334821415 | A-BLACK | GCP | PLR | M-R | - | 2 | 3 | - | 5 | 6 | - | - | - | - | - | 34950-1210 | 34950-1220 |
| MX150 ASSY BLD 2X6 BK A/5 | 334821416 | A-BLACK | GCP | PLR | M-R | 1 | - | - | 4 | 5 | 6 | - | - | - | - | - | 34950-1210 | 34950-1220 |
| MX150 ASSY BLD 2X6 BK A/6 | 334821417 | A-BLACK | GCP | PLR | M-R | 1 | - | - | 4 | 5 | - | - | - | - | - | - | 34950-1210 | 34950-1220 |
| MX150 ASSY BLD 2X6 BK A/3 | 334821418 | A-BLACK | GCP | PLR | M-R | 1 | 2 | 3 | 4 | 5 | - | - | - | - | - | - | 34950-1210 | 34950-1220 |
| MX150 ASSY BLD 2X6 BK A/3 | 334821419 | A-BLACK | GCP | PLR | M-R | - | 2 | 3 | - | 5 | 6 | - | - | - | - | - | 34950-1210 | 34950-1220 |
| MX150 ASSY BLD 2X6 BK A/6 | 334821420 | A-BLACK | GCP | PLR | M-R | 1 | 2 | 3 | 4 | - | - | - | - | - | - | - | 34950-1210 | 34950-1220 |
| MX150 ASSY BLD 2X6 BK A/9 | 334821421 | A-BLACK | GCP | PLR | M-R | - | 2 | 3 | - | - | - | - | - | - | - | - | 34950-1210 | 34950-1220 |
| MX150 ASSY BLD 2X6 BK A/9 | 334821422 | A-BLACK | GCP | PLR | M-R | - | - | - | - | - | - | - | - | - | - | - | 34950-1210 | 34950-1220 |
| MX150 ASSY BLD 2X6 BK A/8 | 334821423 | A-BLACK | GCP | PLR | M-R | 1 | - | 3 | - | 5 | - | - | - | - | - | - | 34950-1210 | 34950-1220 |
| MX150 ASSY BLD 2X6 BK A/6 | 334821424 | A-BLACK | GCP | PLR | M-R | 1 | - | 3 | - | 5 | - | - | - | - | - | - | 34950-1210 | 34950-1220 |
| MX150 ASSY BLD 2X6 BK A/3 | 334821425 | A-BLACK | GCP | PLR | M-R | - | 2 | - | 4 | - | 6 | - | - | - | - | - | 34950-1210 | 34950-1220 |
| MX150 ASSY BLD 2X6 BK A/8 | 334821426 | A-BLACK | GCP | PLR | M-R | - | - | 3 | 4 | - | - | - | - | - | - | - | 34950-1210 | 34950-1220 |
| MX150 ASSY BLD 2X6 BK A/6 | 334821427 | A-BLACK | GCP | PLR | M-R | - | - | 3 | 4 | - | - | - | - | - | - | - | 34950-1210 | 34950-1220 |
| MX150 ASSY BLD 2X6 BK A/4 | 334821428 | A-BLACK | GCP | PLR | M-R | 1 | 2 | - | - | 5 | 6 | - | - | - | - | - | 34950-1210 | 34950-1220 |
| MX150 ASSY BLD 2X6 BK A/10 | 334821429 | A-BLACK | GCP | PLR | M-R | - | - | - | - | - | - | - | - | - | - | - | 34950-1210 | 34950-1220 |
| MX150 ASSY BLD 2X6 BK A/6 | 334821430 | A-BLACK | GCP | PLR | M-R | - | - | 3 | 4 | 5 | 6 | - | - | - | - | - | 34950-1210 | 34950-1220 |
| MX150 ASSY BLD 2X6 LG B/5 | 334821431 | B-LIGHT GRAY | GCP | PLR | M-R | 1 | 2 | 3 | 4 | - | - | - | - | - | - | - | 34950-1210 | 34950-1220 |
| MX150 ASSY BLD 2X6 LG B/7 | 334821432 | B-LIGHT GRAY | GCP | PLR | M-R | 1 | 2 | 3 | 4 | - | - | - | - | - | - | - | 34950-1210 | 34950-1220 |
| MX150 ASSY BLD 2X6 BK A/9 | 334821433 | A-BLACK | GCP | PLR | M-R | - | - | - | - | - | - | - | - | - | - | - | 34950-1210 | 34950-1220 |
| MX150 ASSY BLD 2X6 LG B/8 | 334821434 | B-LIGHT GRAY | GCP | PLR | M-R | - | - | - | - | - | - | - | - | - | - | - | 34950-1210 | 34950-1220 |
| MX150 ASSY BLD 2X6 BK A/6 | 334821435 | A-BLACK | GCP | PLR | M-R | - | - | - | - | - | - | - | - | - | - | - | 34950-1210 | 34950-1220 |
| MX150 ASSY BLD 2X6 BK A/6 | 334821436 | A-BLACK | GCP | PLR | M-R | - | 2 | - | - | - | - | - | - | - | - | - | 34950-1210 | 34950-1220 |
| MX150 ASSY BLD 2X6 BK A/9 | 334821437 | A-BLACK | GCP | PLR | M-R | - | 2 | - | - | - | - | - | - | - | - | - | 34950-1210 | 34950-1220 |
| MX150 ASSY BLD 2X6 LG B/5 | 334821438 | B-LIGHT GRAY | GCP | PLR | M-R | 1 | 2 | 3 | 4 | - | - | - | - | - | - | - | 34950-1210 | 34950-1220 |
| MX150 ASSY BLD 2X6 LG B/7 | 334821439 | B-LIGHT GRAY | GCP | PLR | M-R | 1 | 2 | 3 | 4 | - | - | - | - | - | - | - | 34950-1210 | 34950-1220 |

| ASSEMBLY DESCRIPTION | ASSEMBLY PART NUMBER | COMPONENT | | | | BLOCKED TERMINALS | | | | | | STATUS | COMMENT | OPTIONAL ATTACHMENTS SOLD SEPARATELY | |
|----------------------------|----------------------|--|-------------|-----|----------|--|---|---|---|---|---|----------|---------------|--------------------------------------|------------------------|
| | | THE PRESENCE OF AN ABBREVIATION INDICATES THE PRESENCE OF THAT COMPONENT | | | | CAVITY WITH A NUMBER INDICATES BLOCKED TERMINAL POSITION CAVITY WITHOUT A NUMBER INDICATES OPEN TERMINAL POSITION | | | | | | | | BACKSHELL WITH RIBS | BACKSHELL WITHOUT RIBS |
| | | HOUSING KEY/COLOR | GROMMET CAP | PLR | MAT SEAL | 1 | 2 | 3 | 4 | 5 | 6 | | | | |
| MX150 ASSY BLD 2X6 BK A/7 | 334821440 | A-BLACK | GCP | PLR | M-R | 1 | 2 | - | - | - | 6 | OBSOLETE | SEE 334826440 | 34950-1210 | 34950-1220 |
| MX150 ASSY BLD 2X6 BK A/4 | 334821441 | A-BLACK | GCP | PLR | M-R | 1 | 2 | 3 | - | - | 6 | OBSOLETE | SEE 334826370 | 34950-1210 | 34950-1220 |
| MX150 ASSY BLD 2X6 BK A/8 | 334821442 | A-BLACK | GCP | PLR | M-R | - | 2 | - | 4 | - | 6 | OBSOLETE | SEE 334826442 | 34950-1210 | 34950-1220 |
| MX150 ASSY BLD 2X6 BK A/9 | 334821443 | A-BLACK | GCP | PLR | M-R | - | 2 | - | 4 | - | 6 | OBSOLETE | SEE 334826443 | 34950-1210 | 34950-1220 |
| MX150 ASSY BLD 2X6 BK A/7 | 334821444 | A-BLACK | GCP | PLR | M-R | - | - | 3 | 4 | - | 6 | OBSOLETE | SEE 334826444 | 34950-1210 | 34950-1220 |
| MX150 ASSY BLD 2X6 BK A/6 | 334821445 | A-BLACK | GCP | PLR | M-R | - | - | - | 4 | - | - | OBSOLETE | SEE 334826445 | 34950-1210 | 34950-1220 |
| MX150 ASSY BLD 2X6 DG C/10 | 334821446 | C-DARK GRAY | GCP | PLR | M-R | - | - | 3 | 4 | - | - | OBSOLETE | SEE 334826446 | 34950-1210 | 34950-1220 |
| MX150 ASSY BLD 2X6 BK A/5 | 334821447 | A-BLACK | GCP | PLR | M-R | 1 | 2 | 3 | - | - | 6 | OBSOLETE | SEE 334826447 | 34950-1210 | 34950-1220 |
| MX150 ASSY BLD 2X6 BK A/6 | 334821448 | A-BLACK | GCP | PLR | M-R | - | - | - | - | 5 | 6 | OBSOLETE | SEE 334826448 | 34950-1210 | 34950-1220 |
| MX150 ASSY BLD 2X6 LG B/8 | 334821449 | B-LIGHT GRAY | GCP | PLR | M-R | - | - | - | - | - | - | OBSOLETE | SEE 334826449 | 34950-1210 | 34950-1220 |
| MX150 ASSY BLD 2X6 BK A/3 | 334821450 | A-BLACK | GCP | PLR | M-R | - | 2 | 3 | - | 5 | 6 | OBSOLETE | SEE 334826450 | 34950-1210 | 34950-1220 |
| MX150 ASSY BLD 2X6 BK A/8 | 334821451 | A-BLACK | GCP | PLR | M-R | - | - | - | - | 5 | 6 | OBSOLETE | SEE 334826451 | 34950-1210 | 34950-1220 |
| MX150 ASSY BLD 2X6 BK A/5 | 334821452 | A-BLACK | GCP | PLR | M-R | - | - | 3 | 4 | - | - | OBSOLETE | SEE 334826452 | 34950-1210 | 34950-1220 |
| MX150 ASSY BLD 2X6 BK A/3 | 334821453 | A-BLACK | GCP | PLR | M-R | 1 | 2 | 3 | 4 | - | - | OBSOLETE | SEE 334826453 | 34950-1210 | 34950-1220 |
| MX150 ASSY BLD 2X6 BK A/5 | 334821454 | A-BLACK | GCP | PLR | M-R | 1 | - | 3 | 4 | - | - | OBSOLETE | SEE 334826454 | 34950-1210 | 34950-1220 |
| MX150 ASSY BLD 2X6 BK A/7 | 334821455 | A-BLACK | GCP | PLR | M-R | 1 | - | - | 4 | - | - | OBSOLETE | SEE 334826455 | 34950-1210 | 34950-1220 |
| MX150 ASSY BLD 2X6 BK A/6 | 334821456 | A-BLACK | GCP | PLR | M-R | 1 | 2 | - | 4 | 5 | 6 | OBSOLETE | SEE 334826456 | 34950-1210 | 34950-1220 |
| MX150 ASSY BLD 2X6 BK A/6 | 334821457 | A-BLACK | GCP | PLR | M-R | - | 2 | - | 4 | 5 | 6 | OBSOLETE | SEE 334826457 | 34950-1210 | 34950-1220 |
| MX150 ASSY BLD 2X6 BK A/9 | 334821458 | A-BLACK | GCP | PLR | M-R | - | 2 | - | - | - | 6 | OBSOLETE | SEE 334826458 | 34950-1210 | 34950-1220 |
| MX150 ASSY BLD 2X6 BK A/8 | 334821459 | A-BLACK | GCP | PLR | M-R | - | - | 3 | - | - | - | OBSOLETE | SEE 334826459 | 34950-1210 | 34950-1220 |
| MX150 ASSY BLD 2X6 BK A/8 | 334821460 | A-BLACK | GCP | PLR | M-R | 1 | - | - | - | - | - | OBSOLETE | SEE 334826460 | 34950-1210 | 34950-1220 |
| MX150 ASSY BLD 2X6 BK A/6 | 334821461 | A-BLACK | GCP | PLR | M-R | - | 2 | - | - | 5 | 6 | OBSOLETE | SEE 334826461 | 34950-1210 | 34950-1220 |
| MX150 ASSY BLD 2X6 BK A/4 | 334821462 | A-BLACK | GCP | PLR | M-R | - | 2 | 3 | - | 5 | 6 | OBSOLETE | SEE 334826462 | 34950-1210 | 34950-1220 |
| MX150 ASSY BLD 2X6 BK A/4 | 334821463 | A-BLACK | GCP | PLR | M-R | 1 | 2 | - | 4 | 5 | 6 | OBSOLETE | SEE 334826463 | 34950-1210 | 34950-1220 |
| MX150 ASSY BLD 2X6 BK A/2 | 334821464 | A-BLACK | GCP | PLR | M-R | 1 | 2 | - | 4 | 5 | 6 | OBSOLETE | SEE 334826464 | 34950-1210 | 34950-1220 |
| MX150 ASSY BLD 2X6 BK A/2 | 334821465 | A-BLACK | GCP | PLR | M-R | 1 | 2 | 3 | 4 | 5 | 6 | OBSOLETE | SEE 334826465 | 34950-1210 | 34950-1220 |
| MX150 ASSY BLD 2X6 BK A/11 | 334821466 | A-BLACK | GCP | PLR | M-R | - | - | - | - | - | - | OBSOLETE | SEE 334826466 | 34950-1210 | 34950-1220 |

| ASSEMBLY DESCRIPTION | ASSEMBLY PART NUMBER | COMPONENT | | | | BLOCKED TERMINALS | | | | | | STATUS | COMMENT | OPTIONAL ATTACHMENTS SOLD SEPARATELY | |
|----------------------------|----------------------|--|-------------|-----|----------|--|---|---|---|---|---|----------|---------------|--------------------------------------|------------------------|
| | | THE PRESENCE OF AN ABBREVIATION INDICATES THE PRESENCE OF THAT COMPONENT | | | | CAVITY WITH A NUMBER INDICATES BLOCKED TERMINAL POSITION CAVITY WITHOUT A NUMBER INDICATES OPEN TERMINAL POSITION | | | | | | | | BACKSHELL WITH RIBS | BACKSHELL WITHOUT RIBS |
| | | HOUSING KEY/COLOR | GROMMET CAP | PLR | MAT SEAL | | | | | | | | | | |
| MX150 ASSY BLD 2X6 BK A/9 | 334821467 | A-BLACK | GCP | PLR | M-R | - | 2 | 3 | 4 | - | - | OBSOLETE | SEE 334826467 | 34950-1210 | 34950-1220 |
| MX150 ASSY BLD 2X6 BK A/6 | 334821468 | A-BLACK | GCP | PLR | M-R | - | - | - | 4 | 5 | - | OBSOLETE | SEE 334826468 | 34950-1210 | 34950-1220 |
| MX150 ASSY BLD 2X6 BK A/9 | 334821469 | A-BLACK | GCP | PLR | M-R | 1 | - | - | - | - | - | OBSOLETE | SEE 334826469 | 34950-1210 | 34950-1220 |
| MX150 ASSY BLD 2X6 BK A/8 | 334821470 | A-BLACK | GCP | PLR | M-R | - | - | - | - | - | - | OBSOLETE | SEE 334826470 | 34950-1210 | 34950-1220 |
| MX150 ASSY BLD 2X6 DG C/9 | 334821471 | C-DARK GRAY | GCP | PLR | M-R | - | - | 3 | 4 | - | - | OBSOLETE | SEE 334826471 | 34950-1210 | 34950-1220 |
| MX150 ASSY BLD 2X6 BK A/4 | 334821472 | A-BLACK | GCP | PLR | M-R | 1 | 2 | - | - | - | - | OBSOLETE | SEE 334826472 | 34950-1210 | 34950-1220 |
| MX150 ASSY BLD 2X6 BK A/7 | 334821473 | A-BLACK | GCP | PLR | M-R | - | - | - | - | 5 | - | OBSOLETE | SEE 334826473 | 34950-1210 | 34950-1220 |
| MX150 ASSY BLD 2X6 BK A/7 | 334821474 | A-BLACK | GCP | PLR | M-R | 1 | 2 | - | - | 5 | - | OBSOLETE | SEE 334826474 | 34950-1210 | 34950-1220 |
| MX150 ASSY BLD 2X6 BK A/11 | 334821475 | A-BLACK | GCP | PLR | M-R | - | - | - | - | 5 | - | OBSOLETE | SEE 334826475 | 34950-1210 | 34950-1220 |
| MX150 ASSY BLD 2X6 BK A/9 | 334821476 | A-BLACK | GCP | PLR | M-R | - | - | 3 | 4 | 5 | - | OBSOLETE | SEE 334826476 | 34950-1210 | 34950-1220 |
| MX150 ASSY BLD 2X6 BK A/5 | 334821477 | A-BLACK | GCP | PLR | M-R | 1 | 2 | - | - | 5 | - | OBSOLETE | SEE 334826477 | 34950-1210 | 34950-1220 |
| MX150 ASSY BLD 2X6 BK A/9 | 334821478 | A-BLACK | GCP | PLR | M-R | - | - | - | - | 5 | - | OBSOLETE | SEE 334826478 | 34950-1210 | 34950-1220 |
| MX150 ASSY BLD 2X6 BK A/9 | 334821479 | A-BLACK | GCP | PLR | M-R | 1 | - | - | - | - | - | OBSOLETE | SEE 334826479 | 34950-1210 | 34950-1220 |
| MX150 ASSY BLD 2X6 BK A/7 | 334821480 | A-BLACK | GCP | PLR | M-R | 1 | - | - | 4 | 5 | 6 | OBSOLETE | SEE 334826480 | 34950-1210 | 34950-1220 |
| MX150 ASSY BLD 2X6 BK A/5 | 334821481 | A-BLACK | GCP | PLR | M-R | 1 | - | - | 4 | 5 | 6 | OBSOLETE | SEE 334826481 | 34950-1210 | 34950-1220 |
| MX150 ASSY BLD 2X6 BK A/3 | 334821482 | A-BLACK | GCP | PLR | M-R | 1 | 2 | 3 | 4 | 5 | 6 | OBSOLETE | SEE 334826482 | 34950-1210 | 34950-1220 |
| MX150 ASSY BLD 2X6 LG B/6 | 334821483 | B-LIGHT GRAY | GCP | PLR | M-R | 1 | - | - | - | - | 6 | OBSOLETE | SEE 334826483 | 34950-1210 | 34950-1220 |
| MX150 ASSY BLD 2X6 LG B/4 | 334821484 | B-LIGHT GRAY | GCP | PLR | M-R | 1 | - | - | - | - | 6 | OBSOLETE | SEE 334826484 | 34950-1210 | 34950-1220 |
| MX150 ASSY BLD 2X6 LG B/3 | 334821485 | B-LIGHT GRAY | GCP | PLR | M-R | 1 | - | - | - | 5 | 6 | OBSOLETE | SEE 334826485 | 34950-1210 | 34950-1220 |
| MX150 ASSY BLD 2X6 BK A/3 | 334821486 | A-BLACK | GCP | PLR | M-R | 1 | 2 | - | - | 5 | - | OBSOLETE | SEE 334826486 | 34950-1210 | 34950-1220 |
| MX150 ASSY BLD 2X6 BK A/9 | 334821487 | A-BLACK | GCP | PLR | M-R | - | - | - | - | - | - | OBSOLETE | SEE 334826487 | 34950-1210 | 34950-1220 |
| MX150 ASSY BLD 2X6 BK A/7 | 334821489 | A-BLACK | GCP | PLR | M-R | - | - | 3 | - | - | - | OBSOLETE | SEE 334826489 | 34950-1210 | 34950-1220 |
| MX150 ASSY BLD 2X6 BK A/6 | 334821490 | A-BLACK | GCP | PLR | M-R | 1 | 2 | 3 | 4 | - | - | OBSOLETE | SEE 334826490 | 34950-1210 | 34950-1220 |
| MX150 ASSY BLD 2X6 BK A/7 | 334821491 | A-BLACK | GCP | PLR | M-R | 1 | - | 3 | - | 5 | - | OBSOLETE | SEE 334826491 | 34950-1210 | 34950-1220 |
| MX150 ASSY BLD 2X6 BK A/8 | 334821492 | A-BLACK | GCP | PLR | M-R | - | 2 | - | - | - | 6 | OBSOLETE | SEE 334826492 | 34950-1210 | 34950-1220 |
| MX150 ASSY BLD 2X6 BK A/6 | 334821493 | A-BLACK | GCP | PLR | M-R | - | - | - | - | 5 | - | OBSOLETE | SEE 334826493 | 34950-1210 | 34950-1220 |
| MX150 ASSY BLD 2X6 BK A/8 | 334821494 | A-BLACK | GCP | PLR | M-R | - | - | - | - | 5 | - | OBSOLETE | SEE 334826494 | 34950-1210 | 34950-1220 |

| ASSEMBLY DESCRIPTION | ASSEMBLY PART NUMBER | COMPONENT | | | | BLOCKED TERMINALS | | | | | | STATUS | COMMENT | OPTIONAL ATTACHMENTS SOLD SEPARATELY | |
|----------------------------|----------------------|--|-------------|-----|----------|--|---|---|---|---|---|-----------------|---------------|--------------------------------------|------------------------|
| | | THE PRESENCE OF AN ABBREVIATION INDICATES THE PRESENCE OF THAT COMPONENT | | | | CAVITY WITH A NUMBER INDICATES BLOCKED TERMINAL POSITION CAVITY WITHOUT A NUMBER INDICATES OPEN TERMINAL POSITION | | | | | | | | BACKSHELL WITH RIBS | BACKSHELL WITHOUT RIBS |
| | | HOUSING KEY/COLOR | GROMMET CAP | PLR | MAT SEAL | 1 | 2 | 3 | 4 | 5 | 6 | | | | |
| MX150 ASSY BLD 2X6 BK A/2 | 334821495 | A-BLACK | GCP | PLR | M-R | 1 | 2 | 3 | 4 | 5 | 6 | OBSOLETE | SEE 334826495 | 34950-1210 | 34950-1220 |
| MX150 ASSY BLD 2X6 BK A/3 | 334821496 | A-BLACK | GCP | PLR | M-R | 1 | 2 | 3 | 4 | - | 6 | OBSOLETE | SEE 334826496 | 34950-1210 | 34950-1220 |
| MX150 ASSY BLD 2X6 BK A/9 | 334821497 | A-BLACK | GCP | PLR | M-R | - | - | - | - | - | - | OBSOLETE | SEE 334826497 | 34950-1210 | 34950-1220 |
| MX150 ASSY BLD 2X6 BK A/3 | 334821498 | A-BLACK | GCP | PLR | M-R | 1 | 2 | - | 4 | 5 | 6 | OBSOLETE | SEE 334826498 | 34950-1210 | 34950-1220 |
| MX150 ASSY BLD 2X6 BK A/8 | 334821499 | A-BLACK | GCP | PLR | M-R | - | - | 3 | - | - | - | OBSOLETE | SEE 334826499 | 34950-1210 | 34950-1220 |
| MX150 ASSY BLD 2X6 BK A/8 | 334821500 | A-BLACK | GCP | PLR | M-R | - | 2 | - | - | 5 | - | OBSOLETE | SEE 334826500 | 34950-1210 | 34950-1220 |
| MX150 ASSY BLD 2X6 BK A/10 | 334821501 | A-BLACK | GCP | PLR | M-R | - | - | - | 4 | - | - | OBSOLETE | SEE 334826501 | 34950-1210 | 34950-1220 |
| MX150 ASSY BLD 2X6 BK A/9 | 334821502 | A-BLACK | GCP | PLR | M-R | - | - | - | 4 | - | 6 | OBSOLETE | SEE 334826502 | 34950-1210 | 34950-1220 |
| MX150 ASSY BLD 2X6 BK A/9 | 334821503 | A-BLACK | GCP | PLR | M-R | - | - | - | - | - | 6 | OBSOLETE | SEE 334826503 | 34950-1210 | 34950-1220 |
| MX150 ASSY BLD 2X6 BK A/2 | 334821504 | A-BLACK | GCP | PLR | M-R | - | 2 | 3 | 4 | 5 | 6 | OBSOLETE | SEE 334826504 | 34950-1210 | 34950-1220 |
| MX150 ASSY BLD 2X6 LG B/6 | 334821505 | B-LIGHT GRAY | GCP | PLR | M-R | - | - | - | - | 5 | - | OBSOLETE | SEE 334826505 | 34950-1210 | 34950-1220 |
| MX150 ASSY BLD 2X6 BK A/9 | 334821506 | A-BLACK | GCP | PLR | M-R | - | - | - | - | - | - | OBSOLETE | SEE 334826506 | 34950-1210 | 34950-1220 |
| MX150 ASSY BLD 2X6 BK A/6 | 334821507 | A-BLACK | GCP | PLR | M-R | 1 | 2 | - | 4 | 5 | 6 | OBSOLETE | SEE 334826507 | 34950-1210 | 34950-1220 |
| MX150 ASSY BLD 2X6 BK A/12 | 334826201 | A-BLACK | GCP | PLR | M-B | - | - | - | - | - | - | SALEABLE | | 34950-1210 | 34950-1220 |
| MX150 ASSY BLD 2X6 LG B/12 | 334826202 | B-LIGHT GRAY | GCP | PLR | M-B | - | - | - | - | - | - | SALEABLE | | 34950-1210 | 34950-1220 |
| MX150 ASSY BLD 2X6 BR C/12 | 334826203 | C-BROWN | GCP | PLR | M-B | - | - | - | - | - | - | NOT RECOMMENDED | SEE 334826261 | 34950-1210 | 34950-1220 |
| MX150 ASSY BLD 2X6 GR D/12 | 334826204 | D-GREEN | GCP | PLR | M-B | - | - | - | - | - | - | NOT RECOMMENDED | SEE 334826262 | 34950-1210 | 34950-1220 |
| MX150 ASSY BLD 2X6 BK A/11 | 334826206 | A-BLACK | GCP | PLR | M-B | - | - | - | - | - | 6 | SALEABLE | | 34950-1210 | 34950-1220 |
| MX150 ASSY BLD 2X6 LG B/11 | 334826207 | B-LIGHT GRAY | GCP | PLR | M-B | - | - | - | - | - | 6 | SALEABLE | | 34950-1210 | 34950-1220 |
| MX150 ASSY BLD 2X6 BR C/11 | 334826208 | C-BROWN | GCP | PLR | M-B | - | - | - | - | - | 6 | NOT RECOMMENDED | | 34950-1210 | 34950-1220 |
| MX150 ASSY BLD 2X6 GR D/11 | 334826209 | D-GREEN | GCP | PLR | M-B | - | - | - | - | - | 6 | NOT RECOMMENDED | | 34950-1210 | 34950-1220 |
| MX150 ASSY BLD 2X6 BK A/10 | 334826211 | A-BLACK | GCP | PLR | M-B | - | - | - | - | - | 6 | SALEABLE | | 34950-1210 | 34950-1220 |
| MX150 ASSY BLD 2X6 LG B/10 | 334826212 | B-LIGHT GRAY | GCP | PLR | M-B | - | - | - | - | - | 6 | SALEABLE | | 34950-1210 | 34950-1220 |
| MX150 ASSY BLD 2X6 BR C/10 | 334826213 | C-BROWN | GCP | PLR | M-B | - | - | - | - | - | 6 | NOT RECOMMENDED | | 34950-1210 | 34950-1220 |
| MX150 ASSY BLD 2X6 GR D/10 | 334826214 | D-GREEN | GCP | PLR | M-B | - | - | - | - | - | 6 | NOT RECOMMENDED | | 34950-1210 | 34950-1220 |
| MX150 ASSY BLD 2X6 BK A/9 | 334826216 | A-BLACK | GCP | PLR | M-B | 1 | - | - | - | - | 6 | SALEABLE | | 34950-1210 | 34950-1220 |
| MX150 ASSY BLD 2X6 LG B/9 | 334826217 | B-LIGHT GRAY | GCP | PLR | M-B | 1 | - | - | - | - | 6 | SALEABLE | | 34950-1210 | 34950-1220 |

| ASSEMBLY DESCRIPTION | ASSEMBLY PART NUMBER | COMPONENT | | | | BLOCKED TERMINALS | | | | | | STATUS | COMMENT | OPTIONAL ATTACHMENTS SOLD SEPARATELY | |
|----------------------------|----------------------|--|-------------|-----|----------|--|---|---|---|---|---|-----------------|---------------|--------------------------------------|------------------------|
| | | THE PRESENCE OF AN ABBREVIATION INDICATES THE PRESENCE OF THAT COMPONENT | | | | CAVITY WITH A NUMBER INDICATES BLOCKED TERMINAL POSITION CAVITY WITHOUT A NUMBER INDICATES OPEN TERMINAL POSITION | | | | | | | | BACKSHELL WITH RIBS | BACKSHELL WITHOUT RIBS |
| | | HOUSING KEY/COLOR | GROMMET CAP | PLR | MAT SEAL | 1 | 2 | 3 | 4 | 5 | 6 | | | | |
| MX150 ASSY BLD 2X6 BR C/9 | 334826218 | C-BROWN | GCP | PLR | M-B | 1 | - | - | - | - | 6 | NOT RECOMMENDED | SEE 334826320 | 34950-1210 | 34950-1220 |
| MX150 ASSY BLD 2X6 GR D/9 | 334826219 | D-GREEN | GCP | PLR | M-B | 1 | - | - | - | - | 6 | NOT RECOMMENDED | SEE 334826285 | 34950-1210 | 34950-1220 |
| MX150 ASSY BLD 2X6 BK A/8 | 334826221 | A-BLACK | GCP | PLR | M-B | 1 | - | - | - | - | 6 | SALEABLE | | 34950-1210 | 34950-1220 |
| MX150 ASSY BLD 2X6 LG B/8 | 334826222 | B-LIGHT GRAY | GCP | PLR | M-B | 1 | - | - | - | - | 6 | SALEABLE | | 34950-1210 | 34950-1220 |
| MX150 ASSY BLD 2X6 BR C/8 | 334826223 | C-BROWN | GCP | PLR | M-B | 1 | - | - | - | - | 6 | NOT RECOMMENDED | | 34950-1210 | 34950-1220 |
| MX150 ASSY BLD 2X6 GR D/8 | 334826224 | D-GREEN | GCP | PLR | M-B | 1 | - | - | - | - | 6 | NOT RECOMMENDED | | 34950-1210 | 34950-1220 |
| MX150 ASSY BLD 2X6 BK A/10 | 334826226 | A-BLACK | GCP | PLR | M-B | - | - | - | - | - | 6 | SALEABLE | | 34950-1210 | 34950-1220 |
| MX150 ASSY BLD 2X6 BK A/0 | 334826227 | A-BLACK | GCP | PLR | M-B | 1 | 2 | 3 | 4 | 5 | 6 | SALEABLE | | 34950-1210 | 34950-1220 |
| MX150 ASSY BLD 2X6 LG B/0 | 334826228 | B-LIGHT GRAY | GCP | PLR | M-B | 1 | 2 | 3 | 4 | 5 | 6 | SALEABLE | | 34950-1210 | 34950-1220 |
| MX150 ASSY BLD 2X6 BR C/0 | 334826229 | C-BROWN | GCP | PLR | M-B | 1 | 2 | 3 | 4 | 5 | 6 | NOT RECOMMENDED | SEE 334826263 | 34950-1210 | 34950-1220 |
| MX150 ASSY BLD 2X6 GR D/0 | 334826230 | D-GREEN | GCP | PLR | M-B | 1 | 2 | 3 | 4 | 5 | 6 | NOT RECOMMENDED | SEE 334826264 | 34950-1210 | 34950-1220 |
| MX150 ASSY BLD 2X6 BK A/8 | 334826232 | A-BLACK | GCP | PLR | M-B | - | 2 | 3 | - | - | - | SALEABLE | | 34950-1210 | 34950-1220 |
| MX150 ASSY BLD 2X6 BK A/5 | 334826233 | A-BLACK | GCP | PLR | M-B | - | 2 | 3 | - | 5 | 6 | SALEABLE | | 34950-1210 | 34950-1220 |
| MX150 ASSY BLD 2X6 BK A/10 | 334826234 | A-BLACK | GCP | PLR | M-B | - | - | - | - | - | 6 | SALEABLE | | 34950-1210 | 34950-1220 |
| MX150 ASSY BLD 2X6 BK A/5 | 334826235 | A-BLACK | GCP | PLR | M-B | - | 2 | 3 | - | - | 6 | SALEABLE | | 34950-1210 | 34950-1220 |
| MX150 ASSY BLD 2X6 LG B/5 | 334826236 | B-LIGHT GRAY | GCP | PLR | M-B | 1 | - | - | - | 5 | 6 | SALEABLE | | 34950-1210 | 34950-1220 |
| MX150 ASSY BLD 2X6 BK A/11 | 334826237 | A-BLACK | GCP | PLR | M-B | - | 2 | - | - | - | - | SALEABLE | | 34950-1210 | 34950-1220 |
| MX150 ASSY BLD 2X6 LG B/9 | 334826238 | B-LIGHT GRAY | GCP | PLR | M-B | - | 2 | - | - | - | - | SALEABLE | | 34950-1210 | 34950-1220 |
| MX150 ASSY BLD 2X6 BK A/7 | 334826239 | A-BLACK | GCP | PLR | M-B | 1 | - | - | - | 5 | 6 | SALEABLE | | 34950-1210 | 34950-1220 |
| MX150 ASSY BLD 2X6 BK A/6 | 334826240 | A-BLACK | GCP | PLR | M-B | - | 2 | 3 | - | - | - | SALEABLE | | 34950-1210 | 34950-1220 |
| MX150 ASSY BLD 2X6 BK A/7 | 334826241 | A-BLACK | GCP | PLR | M-B | - | - | - | - | - | - | SALEABLE | | 34950-1210 | 34950-1220 |
| MX150 ASSY BLD 2X6 BK A/10 | 334826242 | A-BLACK | GCP | PLR | M-B | - | - | - | - | - | - | SALEABLE | | 34950-1210 | 34950-1220 |
| MX150 ASSY BLD 2X6 BK A/9 | 334826243 | A-BLACK | GCP | PLR | M-B | - | 2 | - | - | - | - | SALEABLE | | 34950-1210 | 34950-1220 |
| MX150 ASSY BLD 2X6 BK A/10 | 334826244 | A-BLACK | GCP | PLR | M-B | - | 2 | - | 4 | - | - | SALEABLE | | 34950-1210 | 34950-1220 |
| MX150 ASSY BLD 2X6 BK A/8 | 334826245 | A-BLACK | GCP | PLR | M-B | - | - | - | - | - | - | SALEABLE | | 34950-1210 | 34950-1220 |
| MX150 ASSY BLD 2X6 BK A/11 | 334826246 | A-BLACK | GCP | PLR | M-B | - | - | - | - | - | - | SALEABLE | | 34950-1210 | 34950-1220 |
| MX150 ASSY BLD 2X6 BK A/7 | 334826247 | A-BLACK | GCP | PLR | M-B | - | 2 | 3 | 4 | - | - | SALEABLE | | 34950-1210 | 34950-1220 |

| ASSEMBLY DESCRIPTION | ASSEMBLY PART NUMBER | COMPONENT | | | | BLOCKED TERMINALS | | | | | | STATUS | COMMENT | OPTIONAL ATTACHMENTS SOLD SEPARATELY | |
|----------------------------|----------------------|--|-------------|-----|----------|--|---|---|----|----|----|----------|---------|--------------------------------------|------------------------|
| | | THE PRESENCE OF AN ABBREVIATION INDICATES THE PRESENCE OF THAT COMPONENT | | | | CAVITY WITH A NUMBER INDICATES BLOCKED TERMINAL POSITION CAVITY WITHOUT A NUMBER INDICATES OPEN TERMINAL POSITION | | | | | | | | BACKSHELL WITH RIBS | BACKSHELL WITHOUT RIBS |
| | | HOUSING KEY/COLOR | GROMMET CAP | PLR | MAT SEAL | 1 | 2 | 3 | 4 | 5 | 6 | | | | |
| MX150 ASSY BLD 2X6 BK A/5 | 334826248 | A-BLACK | GCP | PLR | M-B | 1 | - | 3 | 4 | 5 | 6 | SALEABLE | | 34950-1210 | 34950-1220 |
| MX150 ASSY BLD 2X6 BK A/9 | 334826249 | A-BLACK | GCP | PLR | M-B | 7 | 8 | - | - | - | - | SALEABLE | | 34950-1210 | 34950-1220 |
| MX150 ASSY BLD 2X6 BK A/6 | 334826250 | A-BLACK | GCP | PLR | M-B | - | - | - | 4 | 5 | 6 | SALEABLE | | 34950-1210 | 34950-1220 |
| MX150 ASSY BLD 2X6 BK A/6 | 334826251 | A-BLACK | GCP | PLR | M-B | 7 | 8 | 9 | - | - | - | SALEABLE | | 34950-1210 | 34950-1220 |
| MX150 ASSY BLD 2X6 BK A/11 | 334826252 | A-BLACK | GCP | PLR | M-B | - | 2 | - | 4 | 5 | - | SALEABLE | | 34950-1210 | 34950-1220 |
| MX150 ASSY BLD 2X6 BK A/2 | 334826253 | A-BLACK | GCP | PLR | M-B | - | 8 | - | 10 | 11 | - | SALEABLE | | 34950-1210 | 34950-1220 |
| MX150 ASSY BLD 2X6 BK A/5 | 334826254 | A-BLACK | GCP | PLR | M-B | 7 | - | - | - | - | - | SALEABLE | | 34950-1210 | 34950-1220 |
| MX150 ASSY BLD 2X6 BK A/3 | 334826255 | A-BLACK | GCP | PLR | M-B | - | 2 | 3 | 4 | 5 | 6 | SALEABLE | | 34950-1210 | 34950-1220 |
| MX150 ASSY BLD 2X6 BK A/8 | 334826256 | A-BLACK | GCP | PLR | M-B | - | - | - | 10 | 11 | 12 | SALEABLE | | 34950-1210 | 34950-1220 |
| MX150 ASSY BLD 2X6 BK A/9 | 334826257 | A-BLACK | GCP | PLR | M-B | 1 | - | - | - | - | 6 | SALEABLE | | 34950-1210 | 34950-1220 |
| MX150 ASSY BLD 2X6 BK A/9 | 334826258 | A-BLACK | GCP | PLR | M-B | 7 | - | 9 | - | - | - | SALEABLE | | 34950-1210 | 34950-1220 |
| MX150 ASSY BLD 2X6 BK A/3 | 334826259 | A-BLACK | GCP | PLR | M-B | - | - | 9 | 10 | - | 12 | SALEABLE | | 34950-1210 | 34950-1220 |
| MX150 ASSY BLD 2X6 BK A/10 | 334826260 | A-BLACK | GCP | PLR | M-B | - | 2 | 3 | - | - | - | SALEABLE | | 34950-1210 | 34950-1220 |
| MX150 ASSY BLD 2X6 DG C/12 | 334826261 | C-DARK GRAY | GCP | PLR | M-B | - | - | - | - | 11 | - | SALEABLE | | 34950-1210 | 34950-1220 |
| MX150 ASSY BLD 2X6 SG D/12 | 334826262 | D-STONE GRAY | GCP | PLR | M-B | - | - | - | - | - | - | SALEABLE | | 34950-1210 | 34950-1220 |
| MX150 ASSY BLD 2X6 DG C/0 | 334826263 | C-DARK GRAY | GCP | PLR | M-B | 1 | 2 | 3 | 4 | 5 | 6 | SALEABLE | | 34950-1210 | 34950-1220 |
| MX150 ASSY BLD 2X6 SG D/0 | 334826264 | D-STONE GRAY | GCP | PLR | M-B | 7 | 8 | 9 | 10 | 11 | 12 | SALEABLE | | 34950-1210 | 34950-1220 |
| MX150 ASSY BLD 2X6 BK A/6 | 334826265 | A-BLACK | GCP | PLR | M-B | - | - | - | - | - | 6 | SALEABLE | | 34950-1210 | 34950-1220 |
| MX150 ASSY BLD 2X6 BK A/4 | 334826266 | A-BLACK | GCP | PLR | M-B | 7 | 8 | 9 | 10 | 11 | - | SALEABLE | | 34950-1210 | 34950-1220 |
| MX150 ASSY BLD 2X6 BK A/7 | 334826267 | A-BLACK | GCP | PLR | M-B | 1 | 2 | 3 | 4 | 5 | 6 | SALEABLE | | 34950-1210 | 34950-1220 |
| MX150 ASSY BLD 2X6 BK A/3 | 334826268 | A-BLACK | GCP | PLR | M-B | 7 | - | - | - | - | - | SALEABLE | | 34950-1210 | 34950-1220 |
| MX150 ASSY BLD 2X6 BK A/2 | 334826269 | A-BLACK | GCP | PLR | M-B | - | - | 3 | 4 | 5 | 6 | SALEABLE | | 34950-1210 | 34950-1220 |
| MX150 ASSY BLD 2X6 BK A/6 | 334826270 | A-BLACK | GCP | PLR | M-B | 7 | 8 | 9 | 10 | 11 | 12 | SALEABLE | | 34950-1210 | 34950-1220 |
| MX150 ASSY BLD 2X6 BK A/8 | 334826271 | A-BLACK | GCP | PLR | M-B | - | 2 | - | 4 | - | - | SALEABLE | | 34950-1210 | 34950-1220 |
| MX150 ASSY BLD 2X6 BK A/7 | 334826272 | A-BLACK | GCP | PLR | M-B | 7 | 8 | 9 | 10 | - | - | SALEABLE | | 34950-1210 | 34950-1220 |
| MX150 ASSY BLD 2X6 BK A/11 | 334826273 | A-BLACK | GCP | PLR | M-B | - | 2 | - | - | - | - | SALEABLE | | 34950-1210 | 34950-1220 |
| MX150 ASSY BLD 2X6 BK A/3 | 334826274 | A-BLACK | GCP | PLR | M-B | - | 8 | - | - | - | - | SALEABLE | | 34950-1210 | 34950-1220 |
| MX150 ASSY BLD 2X6 BK A/3 | 334826274 | A-BLACK | GCP | PLR | M-B | 1 | - | 3 | 4 | 5 | 6 | SALEABLE | | 34950-1210 | 34950-1220 |
| MX150 ASSY BLD 2X6 BK A/3 | 334826274 | A-BLACK | GCP | PLR | M-B | - | 8 | - | 10 | 11 | 12 | SALEABLE | | 34950-1210 | 34950-1220 |

| ASSEMBLY DESCRIPTION | ASSEMBLY PART NUMBER | COMPONENT | | | | BLOCKED TERMINALS | | | | | | STATUS | COMMENT | OPTIONAL ATTACHMENTS SOLD SEPARATELY | |
|----------------------------|----------------------|--|-------------|-----|----------|--|---|---|---|---|---|----------|---------|--------------------------------------|------------------------|
| | | THE PRESENCE OF AN ABBREVIATION INDICATES THE PRESENCE OF THAT COMPONENT | | | | CAVITY WITH A NUMBER INDICATES BLOCKED TERMINAL POSITION CAVITY WITHOUT A NUMBER INDICATES OPEN TERMINAL POSITION | | | | | | | | BACKSHELL WITH RIBS | BACKSHELL WITHOUT RIBS |
| | | HOUSING KEY/COLOR | GROMMET CAP | PLR | MAT SEAL | | | | | | | | | | |
| MX150 ASSY BLD 2X6 BK A/9 | 334826275 | A-BLACK | GCP | PLR | M-B | - | - | - | 4 | - | - | SALEABLE | | 34950-1210 | 34950-1220 |
| MX150 ASSY BLD 2X6 BK A/3 | 334826276 | A-BLACK | GCP | PLR | M-B | 1 | 2 | 3 | 4 | - | 6 | SALEABLE | | 34950-1210 | 34950-1220 |
| MX150 ASSY BLD 2X6 BK A/7 | 334826277 | A-BLACK | GCP | PLR | M-B | 1 | 2 | 3 | - | - | - | SALEABLE | | 34950-1210 | 34950-1220 |
| MX150 ASSY BLD 2X6 BK A/10 | 334826278 | A-BLACK | GCP | PLR | M-B | - | - | - | - | - | 6 | SALEABLE | | 34950-1210 | 34950-1220 |
| MX150 ASSY BLD 2X6 BK A/2 | 334826279 | A-BLACK | GCP | PLR | M-B | 1 | 2 | 3 | 4 | 5 | - | SALEABLE | | 34950-1210 | 34950-1220 |
| MX150 ASSY BLD 2X6 BK A/5 | 334826280 | A-BLACK | GCP | PLR | M-B | 1 | 2 | 3 | 4 | 5 | 6 | SALEABLE | | 34950-1210 | 34950-1220 |
| MX150 ASSY BLD 2X6 BK A/6 | 334826281 | A-BLACK | GCP | PLR | M-B | - | 2 | - | 4 | - | 6 | SALEABLE | | 34950-1210 | 34950-1220 |
| MX150 ASSY BLD 2X6 BK A/2 | 334826282 | A-BLACK | GCP | PLR | M-B | 1 | 2 | 3 | 4 | 5 | 6 | SALEABLE | | 34950-1210 | 34950-1220 |
| MX150 ASSY BLD 2X6 BK A/7 | 334826283 | A-BLACK | GCP | PLR | M-B | - | - | - | - | - | 6 | SALEABLE | | 34950-1210 | 34950-1220 |
| MX150 ASSY BLD 2X6 BK A/2 | 334826284 | A-BLACK | GCP | PLR | M-B | 1 | - | 3 | 4 | 5 | 6 | SALEABLE | | 34950-1210 | 34950-1220 |
| MX150 ASSY BLD 2X6 SG D/9 | 334826285 | D-STONE GRAY | GCP | PLR | M-B | 1 | - | - | - | - | 6 | SALEABLE | | 34950-1210 | 34950-1220 |
| MX150 ASSY BLD 2X6 BK A/8 | 334826286 | A-BLACK | GCP | PLR | M-B | - | 2 | 3 | - | - | - | SALEABLE | | 34950-1210 | 34950-1220 |
| MX150 ASSY BLD 2X6 BK A/10 | 334826287 | A-BLACK | GCP | PLR | M-B | 1 | - | - | - | - | - | SALEABLE | | 34950-1210 | 34950-1220 |
| MX150 ASSY BLD 2X6 BK A/10 | 334826288 | A-BLACK | GCP | PLR | M-B | 1 | - | - | - | - | 6 | SALEABLE | | 34950-1210 | 34950-1220 |
| MX150 ASSY BLD 2X6 BK A/5 | 334826289 | A-BLACK | GCP | PLR | M-B | 1 | 2 | 3 | 4 | 5 | 6 | SALEABLE | | 34950-1210 | 34950-1220 |
| MX150 ASSY BLD 2X6 BK A/9 | 334826290 | A-BLACK | GCP | PLR | M-B | 1 | - | - | - | - | - | SALEABLE | | 34950-1210 | 34950-1220 |
| MX150 ASSY BLD 2X6 BK A/3 | 334826291 | A-BLACK | GCP | PLR | M-B | 1 | 2 | 3 | 4 | 5 | 6 | SALEABLE | | 34950-1210 | 34950-1220 |
| MX150 ASSY BLD 2X6 BK A/11 | 334826292 | A-BLACK | GCP | PLR | M-B | - | - | - | - | - | - | SALEABLE | | 34950-1210 | 34950-1220 |
| MX150 ASSY BLD 2X6 BK A/6 | 334826293 | A-BLACK | GCP | PLR | M-B | - | - | 3 | 4 | - | - | SALEABLE | | 34950-1210 | 34950-1220 |
| MX150 ASSY BLD 2X6 BK A/6 | 334826294 | A-BLACK | GCP | PLR | M-B | 1 | 2 | - | - | 5 | 6 | SALEABLE | | 34950-1210 | 34950-1220 |
| MX150 ASSY BLD 2X6 BK A/4 | 334826295 | A-BLACK | GCP | PLR | M-B | 1 | 2 | - | - | 5 | 6 | SALEABLE | | 34950-1210 | 34950-1220 |
| MX150 ASSY BLD 2X6 BK A/2 | 334826296 | A-BLACK | GCP | PLR | M-B | 1 | 2 | 3 | 4 | 5 | 6 | SALEABLE | | 34950-1210 | 34950-1220 |
| MX150 ASSY BLD 2X6 BK A/7 | 334826297 | A-BLACK | GCP | PLR | M-B | - | - | - | 4 | - | 6 | SALEABLE | | 34950-1210 | 34950-1220 |
| MX150 ASSY BLD 2X6 BK A/9 | 334826298 | A-BLACK | GCP | PLR | M-B | - | - | - | - | - | 6 | SALEABLE | | 34950-1210 | 34950-1220 |
| MX150 ASSY BLD 2X6 BK A/8 | 334826299 | A-BLACK | GCP | PLR | M-B | 1 | 2 | - | - | - | - | SALEABLE | | 34950-1210 | 34950-1220 |
| MX150 ASSY BLD 2X6 BK A/5 | 334826300 | A-BLACK | GCP | PLR | M-B | 1 | 2 | 3 | - | - | - | SALEABLE | | 34950-1210 | 34950-1220 |
| MX150 ASSY BLD 2X6 BK A/7 | 334826301 | A-BLACK | GCP | PLR | M-B | 1 | 2 | - | - | - | - | SALEABLE | | 34950-1210 | 34950-1220 |

| ASSEMBLY DESCRIPTION | ASSEMBLY PART NUMBER | COMPONENT | | | | BLOCKED TERMINALS | | | | | | STATUS | COMMENT | OPTIONAL ATTACHMENTS SOLD SEPARATELY | |
|----------------------------|----------------------|--|-------------|-----|----------|--|---|---|---|---|---|-----------------|---------------|--------------------------------------|------------------------|
| | | THE PRESENCE OF AN ABBREVIATION INDICATES THE PRESENCE OF THAT COMPONENT | | | | CAVITY WITH A NUMBER INDICATES BLOCKED TERMINAL POSITION CAVITY WITHOUT A NUMBER INDICATES OPEN TERMINAL POSITION | | | | | | | | BACKSHELL WITH RIBS | BACKSHELL WITHOUT RIBS |
| | | HOUSING KEY/COLOR | GROMMET CAP | PLR | MAT SEAL | | | | | | | | | | |
| MX150 ASSY BLD 2X6 LG B/10 | 334826302 | B-LIGHT GRAY | GCP | PLR | M-B | - | - | - | - | - | - | SALEABLE | | 34950-1210 | 34950-1220 |
| MX150 ASSY BLD 2X6 BK A/3 | 334826303 | A-BLACK | GCP | PLR | M-B | 1 | 2 | 3 | 4 | - | - | SALEABLE | | 34950-1210 | 34950-1220 |
| MX150 ASSY BLD 2X6 BK A/4 | 334826304 | A-BLACK | GCP | PLR | M-B | 1 | 2 | 3 | 4 | - | - | SALEABLE | | 34950-1210 | 34950-1220 |
| MX150 ASSY BLD 2X6 LG B/9 | 334826305 | B-LIGHT GRAY | GCP | PLR | M-B | - | - | - | - | - | - | SALEABLE | | 34950-1210 | 34950-1220 |
| MX150 ASSY BLD 2X6 LG B/2 | 334826306 | B-LIGHT GRAY | GCP | PLR | M-B | 1 | 2 | 3 | 4 | 5 | 6 | SALEABLE | | 34950-1210 | 34950-1220 |
| MX150 ASSY BLD 2X6 BK A/5 | 334826307 | A-BLACK | GCP | PLR | M-B | 1 | 2 | 3 | 4 | 5 | - | SALEABLE | | 34950-1210 | 34950-1220 |
| MX150 ASSY BLD 2X6 BK A/6 | 334826308 | A-BLACK | GCP | PLR | M-B | - | - | - | - | - | - | SALEABLE | | 34950-1210 | 34950-1220 |
| MX150 ASSY BLD 2X6 BK A/8 | 334826309 | A-BLACK | GCP | PLR | M-B | 1 | - | - | - | - | - | SALEABLE | | 34950-1210 | 34950-1220 |
| MX150 ASSY BLD 2X6 BK A/9 | 334826310 | A-BLACK | GCP | PLR | M-B | 1 | - | - | 4 | - | - | SALEABLE | | 34950-1210 | 34950-1220 |
| MX150 ASSY BLD 2X6 BK A/2 | 334826311 | A-BLACK | GCP | PLR | M-B | 1 | 2 | - | 4 | 5 | 6 | SALEABLE | | 34950-1210 | 34950-1220 |
| MX150 ASSY BLD 2X6 BK A/10 | 334826312 | A-BLACK | GCP | PLR | M-B | - | - | - | - | - | - | SALEABLE | | 34950-1210 | 34950-1220 |
| MX150 ASSY BLD 2X6 BK A/4 | 334826313 | A-BLACK | GCP | PLR | M-B | - | - | 3 | 4 | 5 | 6 | SALEABLE | | 34950-1210 | 34950-1220 |
| MX150 ASSY BLD 2X6 BK A/6 | 334826314 | A-BLACK | GCP | PLR | M-B | - | - | 3 | - | - | 6 | SALEABLE | | 34950-1210 | 34950-1220 |
| MX150 ASSY BLD 2X6 BK A/8 | 334826315 | A-BLACK | GCP | PLR | M-B | - | - | - | - | - | 6 | SALEABLE | | 34950-1210 | 34950-1220 |
| MX150 ASSY BLD 2X6 BK A/7 | 334826316 | A-BLACK | GCP | PLR | M-B | - | - | - | - | 5 | 6 | SALEABLE | | 34950-1210 | 34950-1220 |
| MX150 ASSY BLD 2X6 BK A/10 | 334826317 | A-BLACK | GCP | PLR | M-B | 1 | 2 | - | - | - | - | SALEABLE | | 34950-1210 | 34950-1220 |
| MX150 ASSY BLD 2X6 BK A/4 | 334826318 | A-BLACK | GCP | PLR | M-B | 1 | 2 | 3 | 4 | 5 | 6 | SALEABLE | | 34950-1210 | 34950-1220 |
| MX150 ASSY BLD 2X6 BK A/3 | 334826319 | A-BLACK | GCP | PLR | M-B | 1 | 2 | 3 | 4 | 5 | 6 | SALEABLE | | 34950-1210 | 34950-1220 |
| MX150 ASSY BLD 2X6 DG C/9 | 334826320 | C-DARK GRAY | GCP | PLR | M-B | 1 | - | - | - | - | 6 | SALEABLE | | 34950-1210 | 34950-1220 |
| MX150 ASSY BLD 2X6 BR C/6 | 334826321 | C-BROWN | GCP | PLR | M-B | 1 | 2 | 3 | 4 | 5 | 6 | NOT RECOMMENDED | SEE 334826328 | 34950-1210 | 34950-1220 |
| MX150 ASSY BLD 2X6 BR C/8 | 334826322 | C-BROWN | GCP | PLR | M-B | 1 | 2 | - | - | 5 | 6 | NOT RECOMMENDED | SEE 334826329 | 34950-1210 | 34950-1220 |
| MX150 ASSY BLD 2X6 BK A/6 | 334826323 | A-BLACK | GCP | PLR | M-B | - | - | 3 | - | - | - | SALEABLE | | 34950-1210 | 34950-1220 |
| MX150 ASSY BLD 2X6 BK A/7 | 334826324 | A-BLACK | GCP | PLR | M-B | - | - | 3 | - | - | - | SALEABLE | | 34950-1210 | 34950-1220 |
| MX150 ASSY BLD 2X6 BK A/10 | 334826325 | A-BLACK | GCP | PLR | M-B | - | - | 3 | - | - | - | SALEABLE | | 34950-1210 | 34950-1220 |
| MX150 ASSY BLD 2X6 BK A/7 | 334826326 | A-BLACK | GCP | PLR | M-B | - | - | - | - | 5 | 6 | SALEABLE | | 34950-1210 | 34950-1220 |
| MX150 ASSY BLD 2X6 BK A/10 | 334826327 | A-BLACK | GCP | PLR | M-B | - | - | - | - | - | - | SALEABLE | | 34950-1210 | 34950-1220 |
| MX150 ASSY BLD 2X6 DG C/6 | 334826328 | C-DARK GRAY | GCP | PLR | M-B | 1 | 2 | 3 | 4 | 5 | 6 | SALEABLE | | 34950-1210 | 34950-1220 |

| ASSEMBLY DESCRIPTION | ASSEMBLY PART NUMBER | COMPONENT | | | | BLOCKED TERMINALS | | | | | | STATUS | COMMENT | OPTIONAL ATTACHMENTS SOLD SEPARATELY | |
|----------------------------|----------------------|--|-------------|-----|----------|--|---|---|----|----|----|----------|---------|--------------------------------------|------------------------|
| | | THE PRESENCE OF AN ABBREVIATION INDICATES THE PRESENCE OF THAT COMPONENT | | | | CAVITY WITH A NUMBER INDICATES BLOCKED TERMINAL POSITION CAVITY WITHOUT A NUMBER INDICATES OPEN TERMINAL POSITION | | | | | | | | BACKSHELL WITH RIBS | BACKSHELL WITHOUT RIBS |
| | | HOUSING KEY/COLOR | GROMMET CAP | PLR | MAT SEAL | 1 | 2 | 3 | 4 | 5 | 6 | | | | |
| MX150 ASSY BLD 2X6 DG C/8 | 334826329 | C-DARK GRAY | GCP | PLR | M-B | 1 | 2 | - | - | 5 | 6 | SALEABLE | | 34950-1210 | 34950-1220 |
| MX150 ASSY BLD 2X6 BK A/4 | 334826330 | A-BLACK | GCP | PLR | M-B | 1 | 2 | 3 | 4 | - | - | SALEABLE | | 34950-1210 | 34950-1220 |
| MX150 ASSY BLD 2X6 BK A/6 | 334826331 | A-BLACK | GCP | PLR | M-B | 1 | 2 | - | - | - | 6 | SALEABLE | | 34950-1210 | 34950-1220 |
| MX150 ASSY BLD 2X6 BK A/6 | 334826332 | A-BLACK | GCP | PLR | M-B | 7 | 8 | - | - | - | 12 | SALEABLE | | 34950-1210 | 34950-1220 |
| MX150 ASSY BLD 2X6 BK A/9 | 334826333 | A-BLACK | GCP | PLR | M-B | - | - | - | 4 | 5 | - | SALEABLE | | 34950-1210 | 34950-1220 |
| MX150 ASSY BLD 2X6 BK A/8 | 334826334 | A-BLACK | GCP | PLR | M-B | 7 | 8 | 9 | 10 | - | - | SALEABLE | | 34950-1210 | 34950-1220 |
| MX150 ASSY BLD 2X6 BK A/5 | 334826335 | A-BLACK | GCP | PLR | M-B | - | - | - | 4 | - | - | SALEABLE | | 34950-1210 | 34950-1220 |
| MX150 ASSY BLD 2X6 YW A/12 | 334826336 | A-YELLOW | GCP | PLR | M-B | - | - | - | 4 | 5 | 6 | SALEABLE | | 34950-1210 | 34950-1220 |
| MX150 ASSY BLD 2X6 LG B/10 | 334826337 | B-LIGHT GRAY | GCP | PLR | M-B | 7 | - | - | - | - | 12 | SALEABLE | | 34950-1210 | 34950-1220 |
| MX150 ASSY BLD 2X6 LG B/8 | 334826338 | B-LIGHT GRAY | GCP | PLR | M-B | - | - | - | - | - | - | SALEABLE | | 34950-1210 | 34950-1220 |
| MX150 ASSY BLD 2X6 LG B/4 | 334826339 | B-LIGHT GRAY | GCP | PLR | M-B | - | 8 | - | - | - | - | SALEABLE | | 34950-1210 | 34950-1220 |
| MX150 ASSY BLD 2X6 LG B/2 | 334826340 | B-LIGHT GRAY | GCP | PLR | M-B | - | - | 3 | 4 | 5 | - | SALEABLE | | 34950-1210 | 34950-1220 |
| MX150 ASSY BLD 2X6 BK A/6 | 334826341 | A-BLACK | GCP | PLR | M-B | - | 8 | 9 | 10 | 11 | 12 | SALEABLE | | 34950-1210 | 34950-1220 |
| MX150 ASSY BLD 2X6 BK A/8 | 334826342 | A-BLACK | GCP | PLR | M-B | 1 | 2 | 3 | - | 5 | - | SALEABLE | | 34950-1210 | 34950-1220 |
| MX150 ASSY BLD 2X6 BK A/7 | 334826343 | A-BLACK | GCP | PLR | M-B | - | - | 9 | - | 11 | - | SALEABLE | | 34950-1210 | 34950-1220 |
| MX150 ASSY BLD 2X6 BK A/4 | 334826344 | A-BLACK | GCP | PLR | M-B | - | 2 | 3 | - | 5 | - | SALEABLE | | 34950-1210 | 34950-1220 |
| MX150 ASSY BLD 2X6 BK A/6 | 334826345 | A-BLACK | GCP | PLR | M-B | - | - | - | - | 11 | - | SALEABLE | | 34950-1210 | 34950-1220 |
| MX150 ASSY BLD 2X6 BK A/11 | 334826346 | A-BLACK | GCP | PLR | M-B | 1 | 2 | 3 | - | - | - | SALEABLE | | 34950-1210 | 34950-1220 |
| MX150 ASSY BLD 2X6 BK A/9 | 334826347 | A-BLACK | GCP | PLR | M-B | - | - | - | - | - | - | SALEABLE | | 34950-1210 | 34950-1220 |
| MX150 ASSY BLD 2X6 LG B/5 | 334826348 | B-LIGHT GRAY | GCP | PLR | M-B | 1 | 2 | 3 | 4 | - | 6 | SALEABLE | | 34950-1210 | 34950-1220 |
| MX150 ASSY BLD 2X6 BK A/9 | 334826349 | A-BLACK | GCP | PLR | M-B | - | - | - | 4 | - | - | SALEABLE | | 34950-1210 | 34950-1220 |
| MX150 ASSY BLD 2X6 BK A/10 | 334826350 | A-BLACK | GCP | PLR | M-B | 7 | 8 | - | - | - | - | SALEABLE | | 34950-1210 | 34950-1220 |
| MX150 ASSY BLD 2X6 BK A/8 | 334826351 | A-BLACK | GCP | PLR | M-B | - | 2 | - | 4 | - | - | SALEABLE | | 34950-1210 | 34950-1220 |
| MX150 ASSY BLD 2X6 BK A/2 | 334826352 | A-BLACK | GCP | PLR | M-B | - | 8 | - | 10 | - | - | SALEABLE | | 34950-1210 | 34950-1220 |
| MX150 ASSY BLD 2X6 BK A/7 | 334826353 | A-BLACK | GCP | PLR | M-B | 1 | 2 | 3 | 4 | 5 | 6 | SALEABLE | | 34950-1210 | 34950-1220 |
| MX150 ASSY BLD 2X6 BK A/4 | 334826354 | A-BLACK | GCP | PLR | M-B | - | 8 | - | 10 | 11 | 12 | SALEABLE | | 34950-1210 | 34950-1220 |
| MX150 ASSY BLD 2X6 BK A/6 | 334826355 | A-BLACK | GCP | PLR | M-B | 1 | 2 | 3 | 4 | - | 6 | SALEABLE | | 34950-1210 | 34950-1220 |
| | | | | | | 7 | 8 | - | 10 | 11 | - | SALEABLE | | 34950-1210 | 34950-1220 |

| ASSEMBLY DESCRIPTION | ASSEMBLY PART NUMBER | COMPONENT | | | | BLOCKED TERMINALS | | | | | | STATUS | COMMENT | OPTIONAL ATTACHMENTS SOLD SEPARATELY | |
|----------------------------|----------------------|--|-------------|-----|----------|--|---|---|----|----|----|----------|---------|--------------------------------------|------------------------|
| | | THE PRESENCE OF AN ABBREVIATION INDICATES THE PRESENCE OF THAT COMPONENT | | | | CAVITY WITH A NUMBER INDICATES BLOCKED TERMINAL POSITION CAVITY WITHOUT A NUMBER INDICATES OPEN TERMINAL POSITION | | | | | | | | BACKSHELL WITH RIBS | BACKSHELL WITHOUT RIBS |
| | | HOUSING KEY/COLOR | GROMMET CAP | PLR | MAT SEAL | 1 | 2 | 3 | 4 | - | 6 | | | | |
| MX150 ASSY BLD 2X6 BK A/4 | 334826356 | A-BLACK | GCP | PLR | M-B | - | - | - | 10 | 11 | 12 | SALEABLE | | 34950-1210 | 34950-1220 |
| MX150 ASSY BLD 2X6 BK A/10 | 334826357 | A-BLACK | GCP | PLR | M-B | - | - | - | - | 5 | - | SALEABLE | | 34950-1210 | 34950-1220 |
| MX150 ASSY BLD 2X6 BK A/10 | 334826358 | A-BLACK | GCP | PLR | M-B | - | - | - | 4 | - | - | SALEABLE | | 34950-1210 | 34950-1220 |
| MX150 ASSY BLD 2X6 BK A/5 | 334826359 | A-BLACK | GCP | PLR | M-B | - | - | - | 4 | - | - | SALEABLE | | 34950-1210 | 34950-1220 |
| MX150 ASSY BLD 2X6 BK A/5 | 334826360 | A-BLACK | GCP | PLR | M-B | - | - | - | - | 5 | 6 | SALEABLE | | 34950-1210 | 34950-1220 |
| MX150 ASSY BLD 2X6 BK A/4 | 334826361 | A-BLACK | GCP | PLR | M-B | - | - | - | 4 | 5 | 6 | SALEABLE | | 34950-1210 | 34950-1220 |
| MX150 ASSY BLD 2X6 BK A/2 | 334826362 | A-BLACK | GCP | PLR | M-B | 1 | 2 | 3 | - | 5 | 6 | SALEABLE | | 34950-1210 | 34950-1220 |
| MX150 ASSY BLD 2X6 BK A/4 | 334826363 | A-BLACK | GCP | PLR | M-B | - | - | - | 4 | 5 | - | SALEABLE | | 34950-1210 | 34950-1220 |
| MX150 ASSY BLD 2X6 BK A/8 | 334826364 | A-BLACK | GCP | PLR | M-B | - | - | - | 4 | - | - | SALEABLE | | 34950-1210 | 34950-1220 |
| MX150 ASSY BLD 2X6 BK A/5 | 334826365 | A-BLACK | GCP | PLR | M-B | - | - | - | - | - | 6 | SALEABLE | | 34950-1210 | 34950-1220 |
| MX150 ASSY BLD 2X6 BK A/6 | 334826366 | A-BLACK | GCP | PLR | M-B | 1 | 2 | - | - | - | 6 | SALEABLE | | 34950-1210 | 34950-1220 |
| MX150 ASSY BLD 2X6 BK A/9 | 334826367 | A-BLACK | GCP | PLR | M-B | - | - | - | - | 5 | - | SALEABLE | | 34950-1210 | 34950-1220 |
| MX150 ASSY BLD 2X6 BK A/2 | 334826368 | A-BLACK | GCP | PLR | M-B | 1 | 2 | 3 | 4 | - | - | SALEABLE | | 34950-1210 | 34950-1220 |
| MX150 ASSY BLD 2X6 BK A/11 | 334826369 | A-BLACK | GCP | PLR | M-B | - | - | - | 4 | - | - | SALEABLE | | 34950-1210 | 34950-1220 |
| MX150 ASSY BLD 2X6 BK A/4 | 334826370 | A-BLACK | GCP | PLR | M-B | 1 | 2 | 3 | - | - | 6 | SALEABLE | | 34950-1210 | 34950-1220 |
| MX150 ASSY BLD 2X6 BK A/9 | 334826371 | A-BLACK | GCP | PLR | M-B | - | - | - | - | - | - | SALEABLE | | 34950-1210 | 34950-1220 |
| MX150 ASSY BLD 2X6 BK A/6 | 334826372 | A-BLACK | GCP | PLR | M-B | 1 | - | 3 | - | 5 | - | SALEABLE | | 34950-1210 | 34950-1220 |
| MX150 ASSY BLD 2X6 BK A/6 | 334826373 | A-BLACK | GCP | PLR | M-B | - | 2 | - | 4 | - | 6 | SALEABLE | | 34950-1210 | 34950-1220 |
| MX150 ASSY BLD 2X6 BK A/8 | 334826374 | A-BLACK | GCP | PLR | M-B | - | 2 | - | - | - | - | SALEABLE | | 34950-1210 | 34950-1220 |
| MX150 ASSY BLD 2X6 BK A/9 | 334826375 | A-BLACK | GCP | PLR | M-B | - | - | - | - | - | - | SALEABLE | | 34950-1210 | 34950-1220 |
| MX150 ASSY BLD 2X6 BK A/9 | 334826376 | A-BLACK | GCP | PLR | M-B | - | 2 | - | 4 | - | - | SALEABLE | | 34950-1210 | 34950-1220 |
| MX150 ASSY BLD 2X6 BK A/3 | 334826377 | A-BLACK | GCP | PLR | M-B | 1 | 2 | 3 | 4 | - | 6 | SALEABLE | | 34950-1210 | 34950-1220 |
| MX150 ASSY BLD 2X6 BK A/7 | 334826378 | A-BLACK | GCP | PLR | M-B | 1 | - | 3 | - | 5 | - | SALEABLE | | 34950-1210 | 34950-1220 |
| MX150 ASSY BLD 2X6 BK A/5 | 334826379 | A-BLACK | GCP | PLR | M-B | - | - | - | - | 11 | 12 | SALEABLE | | 34950-1210 | 34950-1220 |
| MX150 ASSY BLD 2X6 BK A/5 | 334826379 | A-BLACK | GCP | PLR | M-B | 1 | - | 3 | - | 5 | - | SALEABLE | | 34950-1210 | 34950-1220 |
| MX150 ASSY BLD 2X6 BK A/9 | 334826380 | A-BLACK | GCP | PLR | M-B | - | 2 | - | - | - | - | SALEABLE | | 34950-1210 | 34950-1220 |
| MX150 ASSY BLD 2X6 BK A/8 | 334826381 | A-BLACK | GCP | PLR | M-B | - | 2 | - | 4 | - | - | SALEABLE | | 34950-1210 | 34950-1220 |
| MX150 ASSY BLD 2X6 BK A/6 | 334826382 | A-BLACK | GCP | PLR | M-B | - | - | - | 4 | 5 | 6 | SALEABLE | | 34950-1210 | 34950-1220 |

| ASSEMBLY DESCRIPTION | ASSEMBLY PART NUMBER | COMPONENT | | | | BLOCKED TERMINALS | | | | | | STATUS | COMMENT | OPTIONAL ATTACHMENTS SOLD SEPARATELY | |
|---------------------------|----------------------|--|-------------|-----|----------|--|---|---|----|----|----|----------|---------|--------------------------------------|------------------------|
| | | THE PRESENCE OF AN ABBREVIATION INDICATES THE PRESENCE OF THAT COMPONENT | | | | CAVITY WITH A NUMBER INDICATES BLOCKED TERMINAL POSITION CAVITY WITHOUT A NUMBER INDICATES OPEN TERMINAL POSITION | | | | | | | | BACKSHELL WITH RIBS | BACKSHELL WITHOUT RIBS |
| | | HOUSING KEY/COLOR | GROMMET CAP | PLR | MAT SEAL | 1 | 2 | 3 | 4 | - | - | | | | |
| MX150 ASSY BLD 2X6 BK A/3 | 334826383 | A-BLACK | GCP | PLR | M-B | 1 | 2 | 3 | 4 | - | - | SALEABLE | | 34950-1210 | 34950-1220 |
| MX150 ASSY BLD 2X6 BK A/8 | 334826384 | A-BLACK | GCP | PLR | M-B | 7 | 8 | 9 | 10 | 11 | - | SALEABLE | | 34950-1210 | 34950-1220 |
| MX150 ASSY BLD 2X6 BK A/8 | 334826385 | A-BLACK | GCP | PLR | M-B | - | - | 3 | 4 | - | - | SALEABLE | | 34950-1210 | 34950-1220 |
| MX150 ASSY BLD 2X6 BK A/2 | 334826386 | A-BLACK | GCP | PLR | M-B | - | - | 9 | 10 | - | - | SALEABLE | | 34950-1210 | 34950-1220 |
| MX150 ASSY BLD 2X6 BK A/2 | 334826387 | A-BLACK | GCP | PLR | M-B | - | - | 3 | 4 | - | - | SALEABLE | | 34950-1210 | 34950-1220 |
| MX150 ASSY BLD 2X6 BK A/6 | 334826388 | A-BLACK | GCP | PLR | M-B | 1 | 2 | 3 | 4 | - | 6 | SALEABLE | | 34950-1210 | 34950-1220 |
| MX150 ASSY BLD 2X6 BK A/6 | 334826389 | A-BLACK | GCP | PLR | M-B | 7 | 8 | 9 | 10 | 11 | - | SALEABLE | | 34950-1210 | 34950-1220 |
| MX150 ASSY BLD 2X6 BK A/8 | 334826390 | A-BLACK | GCP | PLR | M-B | 1 | 2 | 3 | 4 | 5 | 6 | SALEABLE | | 34950-1210 | 34950-1220 |
| MX150 ASSY BLD 2X6 BK A/5 | 334826391 | A-BLACK | GCP | PLR | M-B | 7 | 8 | 9 | - | - | 12 | SALEABLE | | 34950-1210 | 34950-1220 |
| MX150 ASSY BLD 2X6 BK A/7 | 334826392 | A-BLACK | GCP | PLR | M-B | 1 | 2 | 3 | - | - | - | SALEABLE | | 34950-1210 | 34950-1220 |
| MX150 ASSY BLD 2X6 BK A/7 | 334826393 | A-BLACK | GCP | PLR | M-B | - | - | - | 10 | 11 | 12 | SALEABLE | | 34950-1210 | 34950-1220 |
| MX150 ASSY BLD 2X6 LG B/3 | 334826394 | B-LIGHT GRAY | GCP | PLR | M-B | 1 | 2 | 3 | - | - | 6 | SALEABLE | | 34950-1210 | 34950-1220 |
| MX150 ASSY BLD 2X6 LG B/5 | 334826395 | B-LIGHT GRAY | GCP | PLR | M-B | - | - | - | 4 | 5 | - | SALEABLE | | 34950-1210 | 34950-1220 |
| MX150 ASSY BLD 2X6 BK A/6 | 334826396 | A-BLACK | GCP | PLR | M-B | 7 | - | - | - | 11 | 12 | SALEABLE | | 34950-1210 | 34950-1220 |
| MX150 ASSY BLD 2X6 BK A/9 | 334826397 | A-BLACK | GCP | PLR | M-B | 1 | - | 3 | 4 | - | - | SALEABLE | | 34950-1210 | 34950-1220 |
| MX150 ASSY BLD 2X6 BK A/6 | 334826398 | A-BLACK | GCP | PLR | M-B | - | - | - | 4 | 5 | 6 | SALEABLE | | 34950-1210 | 34950-1220 |
| MX150 ASSY BLD 2X6 BK A/2 | 334826399 | A-BLACK | GCP | PLR | M-B | 7 | - | - | - | 11 | 12 | SALEABLE | | 34950-1210 | 34950-1220 |
| MX150 ASSY BLD 2X6 BK A/7 | 334826400 | A-BLACK | GCP | PLR | M-B | 1 | 2 | 3 | - | - | - | SALEABLE | | 34950-1210 | 34950-1220 |
| MX150 ASSY BLD 2X6 BK A/5 | 334826401 | A-BLACK | GCP | PLR | M-B | 7 | 8 | 9 | 10 | - | - | SALEABLE | | 34950-1210 | 34950-1220 |
| MX150 ASSY BLD 2X6 BK A/8 | 334826402 | A-BLACK | GCP | PLR | M-B | 1 | 2 | 3 | - | - | - | SALEABLE | | 34950-1210 | 34950-1220 |
| MX150 ASSY BLD 2X6 BK A/4 | 334826403 | A-BLACK | GCP | PLR | M-B | - | - | - | 4 | 5 | 6 | SALEABLE | | 34950-1210 | 34950-1220 |
| MX150 ASSY BLD 2X6 BK A/7 | 334826404 | A-BLACK | GCP | PLR | M-B | 7 | 8 | - | - | - | - | SALEABLE | | 34950-1210 | 34950-1220 |
| MX150 ASSY BLD 2X6 BK A/9 | 334826405 | A-BLACK | GCP | PLR | M-B | - | - | - | 4 | 5 | 6 | SALEABLE | | 34950-1210 | 34950-1220 |
| MX150 ASSY BLD 2X6 BK A/3 | 334826406 | A-BLACK | GCP | PLR | M-B | 7 | 8 | - | - | - | 12 | SALEABLE | | 34950-1210 | 34950-1220 |
| MX150 ASSY BLD 2X6 BK A/8 | 334826407 | A-BLACK | GCP | PLR | M-B | - | 2 | 3 | - | 5 | 6 | SALEABLE | | 34950-1210 | 34950-1220 |
| MX150 ASSY BLD 2X6 BK A/4 | 334826408 | A-BLACK | GCP | PLR | M-B | 7 | - | 9 | 10 | 11 | 12 | SALEABLE | | 34950-1210 | 34950-1220 |
| MX150 ASSY BLD 2X6 BK A/3 | 334826409 | A-BLACK | GCP | PLR | M-B | - | - | 3 | - | - | - | SALEABLE | | 34950-1210 | 34950-1220 |
| MX150 ASSY BLD 2X6 BK A/3 | 334826409 | A-BLACK | GCP | PLR | M-B | - | - | 3 | 4 | 5 | 6 | SALEABLE | | 34950-1210 | 34950-1220 |
| MX150 ASSY BLD 2X6 BK A/3 | 334826409 | A-BLACK | GCP | PLR | M-B | 7 | 8 | - | 10 | 11 | 12 | SALEABLE | | 34950-1210 | 34950-1220 |

| ASSEMBLY DESCRIPTION | ASSEMBLY PART NUMBER | COMPONENT | | | | BLOCKED TERMINALS | | | | | | STATUS | COMMENT | OPTIONAL ATTACHMENTS SOLD SEPARATELY | |
|----------------------------|----------------------|--|-------------|-----|----------|--|---|---|---|---|---|----------|---------|--------------------------------------|------------------------|
| | | THE PRESENCE OF AN ABBREVIATION INDICATES THE PRESENCE OF THAT COMPONENT | | | | CAVITY WITH A NUMBER INDICATES BLOCKED TERMINAL POSITION CAVITY WITHOUT A NUMBER INDICATES OPEN TERMINAL POSITION | | | | | | | | BACKSHELL WITH RIBS | BACKSHELL WITHOUT RIBS |
| | | HOUSING KEY/COLOR | GROMMET CAP | PLR | MAT SEAL | 1 | 2 | 3 | 4 | - | - | | | | |
| MX150 ASSY BLD 2X6 BK A/6 | 334826410 | A-BLACK | GCP | PLR | M-B | 1 | 2 | 3 | 4 | - | - | SALEABLE | | 34950-1210 | 34950-1220 |
| MX150 ASSY BLD 2X6 BK A/9 | 334826411 | A-BLACK | GCP | PLR | M-B | - | 2 | 3 | - | - | - | SALEABLE | | 34950-1210 | 34950-1220 |
| MX150 ASSY BLD 2X6 BK A/9 | 334826412 | A-BLACK | GCP | PLR | M-B | - | - | - | - | - | - | SALEABLE | | 34950-1210 | 34950-1220 |
| MX150 ASSY BLD 2X6 BK A/8 | 334826413 | A-BLACK | GCP | PLR | M-B | 1 | - | 3 | - | 5 | - | SALEABLE | | 34950-1210 | 34950-1220 |
| MX150 ASSY BLD 2X6 BK A/6 | 334826414 | A-BLACK | GCP | PLR | M-B | 1 | - | 3 | - | 5 | - | SALEABLE | | 34950-1210 | 34950-1220 |
| MX150 ASSY BLD 2X6 BK A/4 | 334826415 | A-BLACK | GCP | PLR | M-B | - | 2 | 3 | - | 5 | 6 | SALEABLE | | 34950-1210 | 34950-1220 |
| MX150 ASSY BLD 2X6 BK A/5 | 334826416 | A-BLACK | GCP | PLR | M-B | 1 | - | - | 4 | 5 | 6 | SALEABLE | | 34950-1210 | 34950-1220 |
| MX150 ASSY BLD 2X6 BK A/6 | 334826417 | A-BLACK | GCP | PLR | M-B | 1 | - | - | 4 | 5 | - | SALEABLE | | 34950-1210 | 34950-1220 |
| MX150 ASSY BLD 2X6 BK A/3 | 334826418 | A-BLACK | GCP | PLR | M-B | 1 | 2 | 3 | 4 | 5 | - | SALEABLE | | 34950-1210 | 34950-1220 |
| MX150 ASSY BLD 2X6 BK A/3 | 334826419 | A-BLACK | GCP | PLR | M-B | - | 2 | 3 | - | 5 | 6 | SALEABLE | | 34950-1210 | 34950-1220 |
| MX150 ASSY BLD 2X6 BK A/6 | 334826420 | A-BLACK | GCP | PLR | M-B | 1 | 2 | 3 | 4 | - | - | SALEABLE | | 34950-1210 | 34950-1220 |
| MX150 ASSY BLD 2X6 BK A/9 | 334826421 | A-BLACK | GCP | PLR | M-B | - | 2 | 3 | - | - | - | SALEABLE | | 34950-1210 | 34950-1220 |
| MX150 ASSY BLD 2X6 BK A/9 | 334826422 | A-BLACK | GCP | PLR | M-B | - | - | - | - | - | - | SALEABLE | | 34950-1210 | 34950-1220 |
| MX150 ASSY BLD 2X6 BK A/8 | 334826423 | A-BLACK | GCP | PLR | M-B | 1 | - | 3 | - | 5 | - | SALEABLE | | 34950-1210 | 34950-1220 |
| MX150 ASSY BLD 2X6 BK A/6 | 334826424 | A-BLACK | GCP | PLR | M-B | 1 | - | 3 | - | 5 | - | SALEABLE | | 34950-1210 | 34950-1220 |
| MX150 ASSY BLD 2X6 BK A/3 | 334826425 | A-BLACK | GCP | PLR | M-B | - | 2 | - | 4 | - | 6 | SALEABLE | | 34950-1210 | 34950-1220 |
| MX150 ASSY BLD 2X6 BK A/8 | 334826426 | A-BLACK | GCP | PLR | M-B | - | - | 3 | 4 | - | - | SALEABLE | | 34950-1210 | 34950-1220 |
| MX150 ASSY BLD 2X6 BK A/6 | 334826427 | A-BLACK | GCP | PLR | M-B | - | - | 3 | 4 | - | - | SALEABLE | | 34950-1210 | 34950-1220 |
| MX150 ASSY BLD 2X6 BK A/4 | 334826428 | A-BLACK | GCP | PLR | M-B | 1 | 2 | - | - | 5 | 6 | SALEABLE | | 34950-1210 | 34950-1220 |
| MX150 ASSY BLD 2X6 BK A/10 | 334826429 | A-BLACK | GCP | PLR | M-B | - | - | - | - | - | - | SALEABLE | | 34950-1210 | 34950-1220 |
| MX150 ASSY BLD 2X6 BK A/6 | 334826430 | A-BLACK | GCP | PLR | M-B | - | - | 3 | 4 | 5 | 6 | SALEABLE | | 34950-1210 | 34950-1220 |
| MX150 ASSY BLD 2X6 LG B/5 | 334826431 | B-LIGHT GRAY | GCP | PLR | M-B | 1 | 2 | 3 | 4 | - | - | SALEABLE | | 34950-1210 | 34950-1220 |
| MX150 ASSY BLD 2X6 LG B/7 | 334826432 | B-LIGHT GRAY | GCP | PLR | M-B | 1 | 2 | 3 | 4 | - | - | SALEABLE | | 34950-1210 | 34950-1220 |
| MX150 ASSY BLD 2X6 BK A/9 | 334826433 | A-BLACK | GCP | PLR | M-B | - | - | - | - | - | - | SALEABLE | | 34950-1210 | 34950-1220 |
| MX150 ASSY BLD 2X6 LG B/8 | 334826434 | B-LIGHT GRAY | GCP | PLR | M-B | - | - | - | - | - | - | SALEABLE | | 34950-1210 | 34950-1220 |
| MX150 ASSY BLD 2X6 BK A/6 | 334826435 | A-BLACK | GCP | PLR | M-B | - | - | - | - | - | - | SALEABLE | | 34950-1210 | 34950-1220 |
| MX150 ASSY BLD 2X6 BK A/6 | 334826436 | A-BLACK | GCP | PLR | M-B | - | 2 | - | - | - | - | SALEABLE | | 34950-1210 | 34950-1220 |

| ASSEMBLY DESCRIPTION | ASSEMBLY PART NUMBER | COMPONENT | | | | BLOCKED TERMINALS | | | | | | STATUS | COMMENT | OPTIONAL ATTACHMENTS SOLD SEPARATELY | |
|----------------------------|----------------------|--|-------------|-----|----------|--|---|---|---|---|---|----------|---------|--------------------------------------|------------------------|
| | | THE PRESENCE OF AN ABBREVIATION INDICATES THE PRESENCE OF THAT COMPONENT | | | | CAVITY WITH A NUMBER INDICATES BLOCKED TERMINAL POSITION CAVITY WITHOUT A NUMBER INDICATES OPEN TERMINAL POSITION | | | | | | | | BACKSHELL WITH RIBS | BACKSHELL WITHOUT RIBS |
| | | HOUSING KEY/COLOR | GROMMET CAP | PLR | MAT SEAL | | | | | | | | | | |
| MX150 ASSY BLD 2X6 BK A/9 | 334826437 | A-BLACK | GCP | PLR | M-B | - | 2 | - | - | - | - | SALEABLE | | 34950-1210 | 34950-1220 |
| MX150 ASSY BLD 2X6 LG B/5 | 334826438 | B-LIGHT GRAY | GCP | PLR | M-B | 1 | 2 | 3 | 4 | - | - | SALEABLE | | 34950-1210 | 34950-1220 |
| MX150 ASSY BLD 2X6 LG B/7 | 334826439 | B-LIGHT GRAY | GCP | PLR | M-B | 1 | 2 | 3 | 4 | - | - | SALEABLE | | 34950-1210 | 34950-1220 |
| MX150 ASSY BLD 2X6 BK A/7 | 334826440 | A-BLACK | GCP | PLR | M-B | 1 | 2 | - | - | - | 6 | SALEABLE | | 34950-1210 | 34950-1220 |
| MX150 ASSY BLD 2X6 BK A/4 | 334826441 | A-BLACK | GCP | PLR | M-B | 1 | 2 | 3 | - | - | 6 | SALEABLE | | 34950-1210 | 34950-1220 |
| MX150 ASSY BLD 2X6 BK A/8 | 334826442 | A-BLACK | GCP | PLR | M-B | - | 2 | - | 4 | - | 6 | SALEABLE | | 34950-1210 | 34950-1220 |
| MX150 ASSY BLD 2X6 BK A/9 | 334826443 | A-BLACK | GCP | PLR | M-B | - | 2 | - | 4 | - | 6 | SALEABLE | | 34950-1210 | 34950-1220 |
| MX150 ASSY BLD 2X6 BK A/7 | 334826444 | A-BLACK | GCP | PLR | M-B | - | - | 3 | 4 | - | 6 | SALEABLE | | 34950-1210 | 34950-1220 |
| MX150 ASSY BLD 2X6 BK A/6 | 334826445 | A-BLACK | GCP | PLR | M-B | - | - | - | 4 | - | - | SALEABLE | | 34950-1210 | 34950-1220 |
| MX150 ASSY BLD 2X6 DG C/10 | 334826446 | C-DARK GRAY | GCP | PLR | M-B | - | - | 3 | 4 | - | - | SALEABLE | | 34950-1210 | 34950-1220 |
| MX150 ASSY BLD 2X6 BK A/5 | 334826447 | A-BLACK | GCP | PLR | M-B | 1 | 2 | 3 | - | - | 6 | SALEABLE | | 34950-1210 | 34950-1220 |
| MX150 ASSY BLD 2X6 BK A/6 | 334826448 | A-BLACK | GCP | PLR | M-B | - | - | - | - | 5 | 6 | SALEABLE | | 34950-1210 | 34950-1220 |
| MX150 ASSY BLD 2X6 LG B/8 | 334826449 | B-LIGHT GRAY | GCP | PLR | M-B | - | - | - | - | - | - | SALEABLE | | 34950-1210 | 34950-1220 |
| MX150 ASSY BLD 2X6 BK A/3 | 334826450 | A-BLACK | GCP | PLR | M-B | - | 2 | 3 | - | 5 | 6 | SALEABLE | | 34950-1210 | 34950-1220 |
| MX150 ASSY BLD 2X6 BK A/8 | 334826451 | A-BLACK | GCP | PLR | M-B | - | - | - | - | 5 | 6 | SALEABLE | | 34950-1210 | 34950-1220 |
| MX150 ASSY BLD 2X6 BK A/5 | 334826452 | A-BLACK | GCP | PLR | M-B | - | - | 3 | 4 | - | - | SALEABLE | | 34950-1210 | 34950-1220 |
| MX150 ASSY BLD 2X6 BK A/3 | 334826453 | A-BLACK | GCP | PLR | M-B | 1 | 2 | 3 | 4 | - | - | SALEABLE | | 34950-1210 | 34950-1220 |
| MX150 ASSY BLD 2X6 BK A/5 | 334826454 | A-BLACK | GCP | PLR | M-B | 1 | - | 3 | 4 | - | - | SALEABLE | | 34950-1210 | 34950-1220 |
| MX150 ASSY BLD 2X6 BK A/7 | 334826455 | A-BLACK | GCP | PLR | M-B | 1 | - | - | 4 | - | - | SALEABLE | | 34950-1210 | 34950-1220 |
| MX150 ASSY BLD 2X6 BK A/6 | 334826456 | A-BLACK | GCP | PLR | M-B | 1 | 2 | - | 4 | 5 | 6 | SALEABLE | | 34950-1210 | 34950-1220 |
| MX150 ASSY BLD 2X6 BK A/6 | 334826457 | A-BLACK | GCP | PLR | M-B | - | 2 | - | 4 | 5 | 6 | SALEABLE | | 34950-1210 | 34950-1220 |
| MX150 ASSY BLD 2X6 BK A/9 | 334826458 | A-BLACK | GCP | PLR | M-B | - | 2 | - | - | - | 6 | SALEABLE | | 34950-1210 | 34950-1220 |
| MX150 ASSY BLD 2X6 BK A/8 | 334826459 | A-BLACK | GCP | PLR | M-B | - | - | 3 | - | - | - | SALEABLE | | 34950-1210 | 34950-1220 |
| MX150 ASSY BLD 2X6 BK A/8 | 334826460 | A-BLACK | GCP | PLR | M-B | 1 | - | - | - | - | - | SALEABLE | | 34950-1210 | 34950-1220 |
| MX150 ASSY BLD 2X6 BK A/6 | 334826461 | A-BLACK | GCP | PLR | M-B | - | 2 | - | - | 5 | 6 | SALEABLE | | 34950-1210 | 34950-1220 |
| MX150 ASSY BLD 2X6 BK A/4 | 334826462 | A-BLACK | GCP | PLR | M-B | - | 2 | 3 | - | 5 | 6 | SALEABLE | | 34950-1210 | 34950-1220 |
| MX150 ASSY BLD 2X6 BK A/4 | 334826463 | A-BLACK | GCP | PLR | M-B | 1 | 2 | - | 4 | 5 | 6 | SALEABLE | | 34950-1210 | 34950-1220 |

| ASSEMBLY DESCRIPTION | ASSEMBLY PART NUMBER | COMPONENT | | | | BLOCKED TERMINALS | | | | | | STATUS | COMMENT | OPTIONAL ATTACHMENTS SOLD SEPARATELY | |
|----------------------------|----------------------|--|-------------|-----|----------|--|---|---|---|---|---|----------|---------|--------------------------------------|------------------------|
| | | THE PRESENCE OF AN ABBREVIATION INDICATES THE PRESENCE OF THAT COMPONENT | | | | CAVITY WITH A NUMBER INDICATES BLOCKED TERMINAL POSITION CAVITY WITHOUT A NUMBER INDICATES OPEN TERMINAL POSITION | | | | | | | | BACKSHELL WITH RIBS | BACKSHELL WITHOUT RIBS |
| | | HOUSING KEY/COLOR | GROMMET CAP | PLR | MAT SEAL | 1 | 2 | - | 4 | 5 | 6 | | | | |
| MX150 ASSY BLD 2X6 BK A/2 | 334826464 | A-BLACK | GCP | PLR | M-B | 1 | 2 | - | 4 | 5 | 6 | SALEABLE | | 34950-1210 | 34950-1220 |
| MX150 ASSY BLD 2X6 BK A/2 | 334826465 | A-BLACK | GCP | PLR | M-B | 1 | 2 | 3 | 4 | 5 | 6 | SALEABLE | | 34950-1210 | 34950-1220 |
| MX150 ASSY BLD 2X6 BK A/11 | 334826466 | A-BLACK | GCP | PLR | M-B | - | - | - | - | - | - | SALEABLE | | 34950-1210 | 34950-1220 |
| MX150 ASSY BLD 2X6 BK A/9 | 334826467 | A-BLACK | GCP | PLR | M-B | - | 2 | 3 | 4 | - | - | SALEABLE | | 34950-1210 | 34950-1220 |
| MX150 ASSY BLD 2X6 BK A/6 | 334826468 | A-BLACK | GCP | PLR | M-B | - | - | - | 4 | 5 | - | SALEABLE | | 34950-1210 | 34950-1220 |
| MX150 ASSY BLD 2X6 BK A/9 | 334826469 | A-BLACK | GCP | PLR | M-B | 1 | - | - | - | - | - | SALEABLE | | 34950-1210 | 34950-1220 |
| MX150 ASSY BLD 2X6 BK A/8 | 334826470 | A-BLACK | GCP | PLR | M-B | - | - | - | - | - | - | SALEABLE | | 34950-1210 | 34950-1220 |
| MX150 ASSY BLD 2X6 DG C/9 | 334826471 | C-DARK GRAY | GCP | PLR | M-B | - | - | 3 | 4 | - | - | SALEABLE | | 34950-1210 | 34950-1220 |
| MX150 ASSY BLD 2X6 BK A/4 | 334826472 | A-BLACK | GCP | PLR | M-B | 1 | 2 | - | - | - | - | SALEABLE | | 34950-1210 | 34950-1220 |
| MX150 ASSY BLD 2X6 BK A/7 | 334826473 | A-BLACK | GCP | PLR | M-B | - | - | - | - | 5 | - | SALEABLE | | 34950-1210 | 34950-1220 |
| MX150 ASSY BLD 2X6 BK A/7 | 334826474 | A-BLACK | GCP | PLR | M-B | 1 | 2 | - | - | 5 | - | SALEABLE | | 34950-1210 | 34950-1220 |
| MX150 ASSY BLD 2X6 BK A/11 | 334826475 | A-BLACK | GCP | PLR | M-B | - | - | - | - | 5 | - | SALEABLE | | 34950-1210 | 34950-1220 |
| MX150 ASSY BLD 2X6 BK A/9 | 334826476 | A-BLACK | GCP | PLR | M-B | - | - | 3 | 4 | 5 | - | SALEABLE | | 34950-1210 | 34950-1220 |
| MX150 ASSY BLD 2X6 BK A/5 | 334826477 | A-BLACK | GCP | PLR | M-B | 1 | 2 | - | - | 5 | - | SALEABLE | | 34950-1210 | 34950-1220 |
| MX150 ASSY BLD 2X6 BK A/9 | 334826478 | A-BLACK | GCP | PLR | M-B | - | - | - | - | 5 | - | SALEABLE | | 34950-1210 | 34950-1220 |
| MX150 ASSY BLD 2X6 BK A/9 | 334826479 | A-BLACK | GCP | PLR | M-B | 1 | - | - | - | - | - | SALEABLE | | 34950-1210 | 34950-1220 |
| MX150 ASSY BLD 2X6 BK A/7 | 334826480 | A-BLACK | GCP | PLR | M-B | 1 | - | - | 4 | 5 | 6 | SALEABLE | | 34950-1210 | 34950-1220 |
| MX150 ASSY BLD 2X6 BK A/5 | 334826481 | A-BLACK | GCP | PLR | M-B | 1 | - | - | 4 | 5 | 6 | SALEABLE | | 34950-1210 | 34950-1220 |
| MX150 ASSY BLD 2X6 BK A/3 | 334826482 | A-BLACK | GCP | PLR | M-B | 1 | 2 | 3 | 4 | 5 | 6 | SALEABLE | | 34950-1210 | 34950-1220 |
| MX150 ASSY BLD 2X6 LG B/6 | 334826483 | B-LIGHT GRAY | GCP | PLR | M-B | 1 | - | - | - | - | 6 | SALEABLE | | 34950-1210 | 34950-1220 |
| MX150 ASSY BLD 2X6 LG B/4 | 334826484 | B-LIGHT GRAY | GCP | PLR | M-B | 1 | - | - | - | - | 6 | SALEABLE | | 34950-1210 | 34950-1220 |
| MX150 ASSY BLD 2X6 LG B/3 | 334826485 | B-LIGHT GRAY | GCP | PLR | M-B | 1 | - | - | - | 5 | 6 | SALEABLE | | 34950-1210 | 34950-1220 |
| MX150 ASSY BLD 2X6 BK A/3 | 334826486 | A-BLACK | GCP | PLR | M-B | 1 | 2 | - | - | 5 | - | SALEABLE | | 34950-1210 | 34950-1220 |
| MX150 ASSY BLD 2X6 BK A/9 | 334826487 | A-BLACK | GCP | PLR | M-B | - | - | - | - | - | - | SALEABLE | | 34950-1210 | 34950-1220 |
| MX150 ASSY BLD 2X6 BK A/2 | 334826488 | A-BLACK | GCP | PLR | M-B | 1 | 2 | 3 | 4 | 5 | 6 | SALEABLE | | 34950-1210 | 34950-1220 |
| MX150 ASSY BLD 2X6 BK A/7 | 334826489 | A-BLACK | GCP | PLR | M-B | - | - | 3 | - | - | - | SALEABLE | | 34950-1210 | 34950-1220 |
| MX150 ASSY BLD 2X6 BK A/6 | 334826490 | A-BLACK | GCP | PLR | M-B | 1 | 2 | 3 | 4 | - | - | SALEABLE | | 34950-1210 | 34950-1220 |

| ASSEMBLY DESCRIPTION | ASSEMBLY PART NUMBER | COMPONENT | | | | BLOCKED TERMINALS | | | | | | STATUS | COMMENT | OPTIONAL ATTACHMENTS SOLD SEPARATELY | | | | | |
|----------------------------|----------------------|--|-------------|-----|----------|--|---|---|---|---|---|--------|---------|--------------------------------------|------------------------|----|------------|------------|------------|
| | | THE PRESENCE OF AN ABBREVIATION INDICATES THE PRESENCE OF THAT COMPONENT | | | | CAVITY WITH A NUMBER INDICATES BLOCKED TERMINAL POSITION CAVITY WITHOUT A NUMBER INDICATES OPEN TERMINAL POSITION | | | | | | | | BACKSHELL WITH RIBS | BACKSHELL WITHOUT RIBS | | | | |
| | | HOUSING KEY/COLOR | GROMMET CAP | PLR | MAT SEAL | 1 | 2 | 3 | 4 | 5 | 6 | | | | | 7 | 8 | 9 | 10 |
| MX150 ASSY BLD 2X6 BK A/7 | 334826491 | A-BLACK | GCP | PLR | M-B | 1 | - | 3 | - | 5 | - | 7 | - | 9 | - | - | 34950-1210 | 34950-1220 | |
| MX150 ASSY BLD 2X6 BK A/8 | 334826492 | A-BLACK | GCP | PLR | M-B | - | 2 | - | - | - | 6 | 7 | 8 | - | - | - | 34950-1210 | 34950-1220 | |
| MX150 ASSY BLD 2X6 BK A/6 | 334826493 | A-BLACK | GCP | PLR | M-B | - | - | - | - | 5 | - | 7 | - | 9 | 10 | 11 | 12 | 34950-1210 | 34950-1220 |
| MX150 ASSY BLD 2X6 BK A/8 | 334826494 | A-BLACK | GCP | PLR | M-B | - | - | - | - | 5 | - | - | - | 9 | 10 | 11 | - | 34950-1210 | 34950-1220 |
| MX150 ASSY BLD 2X6 BK A/2 | 334826495 | A-BLACK | GCP | PLR | M-B | 1 | 2 | 3 | 4 | 5 | 6 | - | 8 | 9 | 10 | 11 | - | 34950-1210 | 34950-1220 |
| MX150 ASSY BLD 2X6 BK A/3 | 334826496 | A-BLACK | GCP | PLR | M-B | 1 | 2 | 3 | 4 | - | 6 | 7 | 8 | 9 | - | - | 12 | 34950-1210 | 34950-1220 |
| MX150 ASSY BLD 2X6 BK A/9 | 334826497 | A-BLACK | GCP | PLR | M-B | - | - | - | - | - | - | 7 | - | 9 | - | - | 12 | 34950-1210 | 34950-1220 |
| MX150 ASSY BLD 2X6 BK A/3 | 334826498 | A-BLACK | GCP | PLR | M-B | 1 | 2 | - | 4 | 5 | 6 | 7 | 8 | 9 | - | - | 12 | 34950-1210 | 34950-1220 |
| MX150 ASSY BLD 2X6 BK A/8 | 334826499 | A-BLACK | GCP | PLR | M-B | - | - | 3 | - | - | - | - | - | 9 | 10 | 11 | - | 34950-1210 | 34950-1220 |
| MX150 ASSY BLD 2X6 BK A/8 | 334826500 | A-BLACK | GCP | PLR | M-B | - | 2 | - | - | 5 | - | 7 | - | - | 10 | - | - | 34950-1210 | 34950-1220 |
| MX150 ASSY BLD 2X6 BK A/10 | 334826501 | A-BLACK | GCP | PLR | M-B | - | - | - | 4 | - | - | 7 | - | - | - | - | - | 34950-1210 | 34950-1220 |
| MX150 ASSY BLD 2X6 BK A/9 | 334826502 | A-BLACK | GCP | PLR | M-B | - | - | - | 4 | - | 6 | 7 | - | - | - | - | - | 34950-1210 | 34950-1220 |
| MX150 ASSY BLD 2X6 BK A/9 | 334826503 | A-BLACK | GCP | PLR | M-B | - | - | - | - | - | 6 | 7 | 8 | - | - | - | - | 34950-1210 | 34950-1220 |
| MX150 ASSY BLD 2X6 BK A/2 | 334826504 | A-BLACK | GCP | PLR | M-B | - | 2 | 3 | 4 | 5 | 6 | - | 8 | 9 | 10 | 11 | 12 | 34950-1210 | 34950-1220 |
| MX150 ASSY BLD 2X6 LG B/6 | 334826505 | B-LIGHT GRAY | GCP | PLR | M-B | - | - | - | - | 5 | - | - | 8 | 9 | 10 | 11 | 12 | 34950-1210 | 34950-1220 |
| MX150 ASSY BLD 2X6 BK A/9 | 334826506 | A-BLACK | GCP | PLR | M-B | - | - | - | - | - | - | - | 8 | 9 | - | - | 12 | 34950-1210 | 34950-1220 |
| MX150 ASSY BLD 2X6 BK A/6 | 334826507 | A-BLACK | GCP | PLR | M-B | 1 | 2 | - | 4 | 5 | 6 | - | 8 | - | - | - | - | 34950-1210 | 34950-1220 |
| MX150 ASSY BLD 2X6 YW A/4 | 334826508 | A-YELLOW | GCP | PLR | M-B | - | - | 3 | - | - | 6 | 7 | 8 | 9 | 10 | 11 | 12 | 34950-1210 | 34950-1220 |
| MX150 ASSY BLD 2X6 BK A/6 | 334826509 | A-BLACK | GCP | PLR | M-B | - | - | - | 4 | 5 | - | 7 | 8 | - | - | 11 | 12 | 34950-1210 | 34950-1220 |
| MX150 ASSY BLD 2X6 BK A/8 | 334826510 | A-BLACK | GCP | PLR | M-B | - | - | - | - | - | - | 7 | 8 | - | - | 11 | 12 | 34950-1210 | 34950-1220 |
| MX150 ASSY BLD 2X6 BK A/9 | 334826511 | A-BLACK | GCP | PLR | M-B | - | - | - | - | - | - | - | 8 | - | - | 11 | 12 | 34950-1210 | 34950-1220 |
| MX150 ASSY BLD 2X6 LG B/4 | 334826512 | B-LIGHT GRAY | GCP | PLR | M-B | 1 | - | 3 | - | 5 | 6 | 7 | - | - | 10 | 11 | 12 | 34950-1210 | 34950-1220 |
| MX150 ASSY BLD 2X6 BK A/8 | 334826513 | A-BLACK | GCP | PLR | M-B | 1 | - | 3 | - | - | - | - | - | 9 | - | - | 12 | 34950-1210 | 34950-1220 |
| MX150 ASSY BLD 2X6 BK A/5 | 334826514 | A-BLACK | GCP | PLR | M-B | 1 | 2 | - | 4 | 5 | 6 | 7 | 8 | - | - | - | - | 34950-1210 | 34950-1220 |
| MX150 ASSY BLD 2X6 LG B/11 | 334826515 | B-LIGHT GRAY | GCP | PLR | M-B | - | - | - | - | - | - | - | 8 | - | - | - | - | 34950-1210 | 34950-1220 |
| MX150 ASSY BLD 2X6 LG B/11 | 334826516 | B-LIGHT GRAY | GCP | PLR | M-B | - | - | - | - | - | - | - | - | - | - | 11 | - | 34950-1210 | 34950-1220 |
| MX150 ASSY BLD 2X6 LG B/4 | 334826517 | B-LIGHT GRAY | GCP | PLR | M-B | - | 2 | 3 | 4 | 5 | - | 7 | 8 | 9 | - | 11 | - | 34950-1210 | 34950-1220 |

| ASSEMBLY DESCRIPTION | ASSEMBLY PART NUMBER | COMPONENT | | | | BLOCKED TERMINALS | | | | | | STATUS | COMMENT | OPTIONAL ATTACHMENTS SOLD SEPARATELY | |
|----------------------------|----------------------|--|-------------|-----|----------|--|---|---|----|----|----|----------|---------|--------------------------------------|------------------------|
| | | THE PRESENCE OF AN ABBREVIATION INDICATES THE PRESENCE OF THAT COMPONENT | | | | CAVITY WITH A NUMBER INDICATES BLOCKED TERMINAL POSITION CAVITY WITHOUT A NUMBER INDICATES OPEN TERMINAL POSITION | | | | | | | | BACKSHELL WITH RIBS | BACKSHELL WITHOUT RIBS |
| | | HOUSING KEY/COLOR | GROMMET CAP | PLR | MAT SEAL | | | | | | | | | | |
| MX150 ASSY BLD 2X6 LG B/9 | 334826518 | B-LIGHT GRAY | GCP | PLR | M-B | - | - | - | - | - | - | SALEABLE | | 34950-1210 | 34950-1220 |
| | | | | | | 7 | - | - | - | 11 | 12 | | | | |
| MX150 ASSY BLD 2X6 LG B/5 | 334826519 | B-LIGHT GRAY | GCP | PLR | M-B | 1 | 2 | 3 | - | - | - | SALEABLE | | 34950-1210 | 34950-1220 |
| | | | | | | 7 | 8 | 9 | - | - | 12 | | | | |
| MX150 ASSY BLD 2X6 LG B/4 | 334826520 | B-LIGHT GRAY | GCP | PLR | M-B | 1 | 2 | 3 | 4 | 5 | - | SALEABLE | | 34950-1210 | 34950-1220 |
| | | | | | | 7 | - | - | - | 11 | 12 | | | | |
| MX150 ASSY BLD 2X6 BK A/6 | 334826521 | A-BLACK | GCP | PLR | M-B | 1 | 2 | 3 | 4 | 5 | - | SALEABLE | | 34950-1210 | 34950-1220 |
| | | | | | | - | - | 9 | - | - | - | | | | |
| MX150 ASSY BLD 2X6 BK A/4 | 334826522 | A-BLACK | GCP | PLR | M-B | 1 | - | - | - | - | 6 | SALEABLE | | 34950-1210 | 34950-1220 |
| | | | | | | 7 | 8 | 9 | 10 | 11 | 12 | | | | |
| MX150 ASSY BLD 2X6 LG B/10 | 334826523 | B-LIGHT GRAY | GCP | PLR | M-B | - | - | 3 | - | - | - | SALEABLE | | 34950-1210 | 34950-1220 |
| | | | | | | 7 | - | - | - | - | - | | | | |
| MX150 ASSY BLD 2X6 BK A/5 | 334826524 | A-BLACK | GCP | PLR | M-B | - | - | 3 | - | 5 | 6 | SALEABLE | | 34950-1210 | 34950-1220 |
| | | | | | | 7 | 8 | - | - | 11 | 12 | | | | |
| MX150 ASSY BLD 2X6 LG B/5 | 334826525 | B-LIGHT GRAY | GCP | PLR | M-B | 1 | 2 | 3 | - | - | - | SALEABLE | | 34950-1210 | 34950-1220 |
| | | | | | | 7 | 8 | 9 | - | - | 12 | | | | |
| MX150 ASSY BLD 2X6 BK A/4 | 334826526 | A-BLACK | GCP | PLR | M-B | - | - | 3 | 4 | 5 | 6 | SALEABLE | | 34950-1210 | 34950-1220 |
| | | | | | | 7 | 8 | - | - | 11 | 12 | | | | |
| MX150 ASSY BLD 2X6 BK A/7 | 334826527 | A-BLACK | GCP | PLR | M-B | 1 | - | - | - | - | - | SALEABLE | | 34950-1210 | 34950-1220 |
| | | | | | | 7 | 8 | 9 | 10 | - | - | | | | |
| MX150 ASSY BLD 2X6 LG B/9 | 334826528 | B-LIGHT GRAY | GCP | PLR | M-B | - | - | - | - | - | - | SALEABLE | | 34950-1210 | 34950-1220 |
| | | | | | | 7 | - | - | - | 11 | 12 | | | | |
| MX150 ASSY BLD 2X6 BK A/4 | 334826529 | A-BLACK | GCP | PLR | M-B | 1 | - | - | - | - | 6 | SALEABLE | | 34950-1210 | 34950-1220 |
| | | | | | | 7 | 8 | 9 | 10 | 11 | 12 | | | | |
| MX150 ASSY BLD 2X6 LG B/8 | 334826530 | B-LIGHT GRAY | GCP | PLR | M-B | - | - | 3 | - | - | - | SALEABLE | | 34950-1210 | 34950-1220 |
| | | | | | | - | - | - | 10 | 11 | 12 | | | | |
| MX150 ASSY BLD 2X6 LG B/10 | 334826531 | B-LIGHT GRAY | GCP | PLR | M-B | - | - | - | - | - | - | SALEABLE | | 34950-1210 | 34950-1220 |
| | | | | | | - | - | - | - | 11 | 12 | | | | |
| MX150 ASSY BLD 2X6 LG B/5 | 334826532 | B-LIGHT GRAY | GCP | PLR | M-B | - | - | - | 4 | 5 | 6 | SALEABLE | | 34950-1210 | 34950-1220 |
| | | | | | | 7 | 8 | - | - | 11 | 12 | | | | |
| MX150 ASSY BLD 2X6 BK A/10 | 334826533 | A-BLACK | GCP | PLR | M-B | - | - | - | - | - | - | SALEABLE | | 34950-1210 | 34950-1220 |
| | | | | | | - | - | - | - | 11 | 12 | | | | |
| MX150 ASSY BLD 2X6 LG B/10 | 334826534 | B-LIGHT GRAY | GCP | PLR | M-B | - | - | 3 | - | - | - | SALEABLE | | 34950-1210 | 34950-1220 |
| | | | | | | 7 | - | - | - | - | - | | | | |
| MX150 ASSY BLD 2X6 BK A/5 | 334826535 | A-BLACK | GCP | PLR | M-B | 1 | 2 | 3 | 4 | - | - | SALEABLE | | 34950-1210 | 34950-1220 |
| | | | | | | - | 8 | - | 10 | 11 | - | | | | |
| MX150 ASSY BLD 2X6 LG B/4 | 334826536 | B-LIGHT GRAY | GCP | PLR | M-B | 1 | 2 | 3 | 4 | 5 | - | SALEABLE | | 34950-1210 | 34950-1220 |
| | | | | | | 7 | - | - | - | 11 | 12 | | | | |
| MX150 ASSY BLD 2X6 BK A/9 | 334826537 | A-BLACK | GCP | PLR | M-B | - | - | - | - | - | - | SALEABLE | | 34950-1210 | 34950-1220 |
| | | | | | | - | 8 | - | 10 | - | 12 | | | | |
| MX150 ASSY BLD 2X6 BK A/2 | 334826538 | A-BLACK | GCP | PLR | M-B | - | - | 3 | 4 | 5 | 6 | SALEABLE | | 34950-1210 | 34950-1220 |
| | | | | | | 7 | 8 | 9 | 10 | 11 | 12 | | | | |
| MX150 ASSY BLD 2X6 LG B/8 | 334826539 | B-LIGHT GRAY | GCP | PLR | M-B | - | - | - | - | - | - | SALEABLE | | 34950-1210 | 34950-1220 |
| | | | | | | 7 | 8 | 9 | 10 | - | - | | | | |
| MX150 ASSY BLD 2X6 LG B/4 | 334826540 | B-LIGHT GRAY | GCP | PLR | M-B | 1 | 2 | - | - | - | 6 | SALEABLE | | 34950-1210 | 34950-1220 |
| | | | | | | 7 | 8 | 9 | 10 | - | 12 | | | | |
| MX150 ASSY BLD 2X6 BK A/11 | 334826541 | A-BLACK | GCP | PLR | M-B | - | - | - | - | - | - | SALEABLE | | 34950-1210 | 34950-1220 |
| | | | | | | - | - | 9 | - | - | - | | | | |
| MX150 ASSY BLD 2X6 BK A/9 | 334826542 | A-BLACK | GCP | PLR | M-B | 1 | 2 | - | - | - | - | SALEABLE | | 34950-1210 | 34950-1220 |
| | | | | | | - | - | - | - | - | 12 | | | | |
| MX150 ASSY BLD 2X6 BK A/6 | 334826543 | A-BLACK | GCP | PLR | M-B | - | - | - | 4 | 5 | 6 | SALEABLE | | 34950-1210 | 34950-1220 |
| | | | | | | 7 | 8 | 9 | - | - | - | | | | |
| MX150 ASSY BLD 2X6 BK A/6 | 334826544 | A-BLACK | GCP | PLR | M-B | - | - | 3 | 4 | 5 | 6 | SALEABLE | | 34950-1210 | 34950-1220 |
| | | | | | | 7 | 8 | - | - | - | - | | | | |

| ASSEMBLY DESCRIPTION | ASSEMBLY PART NUMBER | COMPONENT | | | | BLOCKED TERMINALS | | | | | | STATUS | COMMENT | OPTIONAL ATTACHMENTS SOLD SEPARATELY | |
|----------------------------|----------------------|--|-------------|-----|----------|--|---|---|----|----|----|----------|---------|--------------------------------------|------------------------|
| | | THE PRESENCE OF AN ABBREVIATION INDICATES THE PRESENCE OF THAT COMPONENT | | | | CAVITY WITH A NUMBER INDICATES BLOCKED TERMINAL POSITION CAVITY WITHOUT A NUMBER INDICATES OPEN TERMINAL POSITION | | | | | | | | BACKSHELL WITH RIBS | BACKSHELL WITHOUT RIBS |
| | | HOUSING KEY/COLOR | GROMMET CAP | PLR | MAT SEAL | | | | | | | | | | |
| MX150 ASSY BLD 2X6 BK A/7 | 334826545 | A-BLACK | GCP | PLR | M-B | - | - | - | 4 | 5 | 6 | SALEABLE | | 34950-1210 | 34950-1220 |
| | | | | | | 7 | - | 9 | - | - | - | | | | |
| MX150 ASSY BLD 2X6 BK A/1 | 334826546 | A-BLACK | GCP | PLR | M-B | 1 | - | 3 | 4 | 5 | 6 | SALEABLE | | 34950-1210 | 34950-1220 |
| | | | | | | 7 | 8 | 9 | 10 | 11 | 12 | | | | |
| MX150 ASSY BLD 2X6 BK A/2 | 334826547 | A-BLACK | GCP | PLR | M-B | 1 | 2 | 3 | 4 | 5 | 6 | SALEABLE | | 34950-1210 | 34950-1220 |
| | | | | | | 7 | - | 9 | 10 | - | 12 | | | | |
| MX150 ASSY BLD 2X6 BK A/8 | 334826548 | A-BLACK | GCP | PLR | M-B | - | 2 | - | 4 | - | 6 | SALEABLE | | 34950-1210 | 34950-1220 |
| | | | | | | 7 | - | - | - | - | - | | | | |
| MX150 ASSY BLD 2X6 BK A/8 | 334826549 | A-BLACK | GCP | PLR | M-B | - | 2 | - | - | 5 | 6 | SALEABLE | | 34950-1210 | 34950-1220 |
| | | | | | | 7 | - | - | - | - | - | | | | |
| MX150 ASSY BLD 2X6 BK A/3 | 334826550 | A-BLACK | GCP | PLR | M-B | - | 2 | 3 | 4 | 5 | 6 | SALEABLE | | 34950-1210 | 34950-1220 |
| | | | | | | - | 8 | 9 | 10 | 11 | - | | | | |
| MX150 ASSY BLD 2X6 DG C/10 | 334826551 | C-DARK GRAY | GCP | PLR | M-B | - | - | - | - | - | 6 | SALEABLE | | 34950-1210 | 34950-1220 |
| | | | | | | - | - | - | 10 | - | - | | | | |
| MX150 ASSY BLD 2X6 LG B/7 | 334826552 | B-LIGHT GRAY | GCP | PLR | M-B | - | 2 | - | - | 5 | 6 | SALEABLE | | 34950-1210 | 34950-1220 |
| | | | | | | - | 8 | - | - | 11 | - | | | | |
| MX150 ASSY BLD 2X6 LG B/7 | 334826553 | B-LIGHT GRAY | GCP | PLR | M-B | - | - | - | - | - | 6 | SALEABLE | | 34950-1210 | 34950-1220 |
| | | | | | | 7 | - | - | 10 | 11 | 12 | | | | |
| MX150 ASSY BLD 2X6 LG B/9 | 334826554 | B-LIGHT GRAY | GCP | PLR | M-B | 1 | - | - | - | - | - | SALEABLE | | 34950-1210 | 34950-1220 |
| | | | | | | - | 8 | - | 10 | - | - | | | | |
| MX150 ASSY BLD 2X6 BK A/11 | 334826555 | A-BLACK | GCP | PLR | M-B | - | - | - | - | - | - | SALEABLE | | 34950-1210 | 34950-1220 |
| | | | | | | - | - | - | - | - | 12 | | | | |
| MX150 ASSY BLD 2X6 LG B/9 | 334826556 | B-LIGHT GRAY | GCP | PLR | M-B | 1 | 2 | - | - | 5 | - | SALEABLE | | 34950-1210 | 34950-1220 |
| | | | | | | - | - | - | - | - | - | | | | |
| MX150 ASSY BLD 2X6 LG B/8 | 334826557 | B-LIGHT GRAY | GCP | PLR | M-B | 1 | 2 | - | 4 | 5 | - | SALEABLE | | 34950-1210 | 34950-1220 |
| | | | | | | - | - | - | - | - | - | | | | |
| MX150 ASSY BLD 2X6 BK A/7 | 334826558 | A-BLACK | GCP | PLR | M-B | 1 | 2 | - | 4 | 5 | - | SALEABLE | | 34950-1210 | 34950-1220 |
| | | | | | | - | - | 9 | - | - | - | | | | |
| MX150 ASSY BLD 2X6 BK A/8 | 334826559 | A-BLACK | GCP | PLR | M-B | 1 | 2 | - | - | 5 | - | SALEABLE | | 34950-1210 | 34950-1220 |
| | | | | | | - | - | 9 | - | - | - | | | | |
| MX150 ASSY BLD 2X6 BK A/8 | 334826560 | A-BLACK | GCP | PLR | M-B | - | - | 3 | 4 | - | - | SALEABLE | | 34950-1210 | 34950-1220 |
| | | | | | | 7 | 8 | - | - | - | - | | | | |

| TABLE OF CONTENTS | |
|-------------------|--------------------------|
| SHEET NO. | SHEET DESCRIPTION |
| 1 | NOTES AND BOM |
| 2 | CONFIGURATIONS |
| 3-4 | KEY CONFIGURATIONS |
| 5 | BLADE SEALED ASSEMBLY |
| 6 | SYSTEM PACKAGING |
| 7 | BACKSHELL NOTES |
| 8 | BACKSHELL |
| 9 | BACKSHELL CONFIGURATIONS |

NOTES: VALID UNLESS OTHERWISE SPECIFIED

1. GENERAL:
a. APPLICATION SPECIFICATION SEE: AS-33472-100
-CONTAINS: PRODUCT INTRODUCTION, PRODUCT SUMMARY, CONNECTOR ASSEMBLY, PACKAGING INFORMATION, CONNECTOR MATING, SERVICE INSTRUCTIONS, ELECTRICAL CONTINUITY CHECKING, CRIMPING, AND TROUBLESHOOTING.
-DESIGNED TO MATE WITH RECEPTACLE SEALED ASSEMBLY AS SPECIFIED IN THE MATING CONNECTOR DRAWINGS CHART.
*DENOTES DRAWINGS THAT CAN BE ACCESSED AT <http://ewcap.uscarteams.org/>.
-ASSEMBLY SHIPPED WITH PLR IN PRE-LOCK POSITION (SEE PLR PRE-LOCK VIEW SHEET 5).

b. PRODUCT SPECIFICATION SEE:
-STANDARD CONFIGURATION: PS-33472-000
-UL V0 CONFIGURATION: TBD
CONTAINS: PRODUCT INTRODUCTION, PRODUCT SUMMARY, RATINGS (CURRENT, TEMPERATURE, SEALING, AND FLAMMABILITY), TERMINALS, WIRE DIAMETER RANGE, PRODUCT VALIDATION, AND PRODUCT DEVIATIONS.

c. PACKAGING SPECIFICATION PER MOLEX DRAWING: PK-31300-635

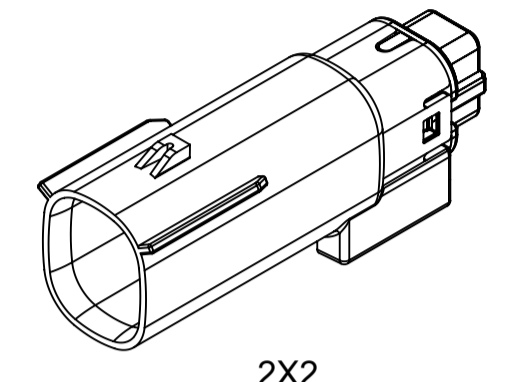
d. PARTS MUST BE IN COMPLIANCE TO MOLEX CHEMICAL SUBSTANCES FOR PRODUCTS AND PACKAGING SPECIFICATION: QEHS-699000-300

e. DATA MUST BE SUBMITTED UNDER THE MOLEX PART NUMBER TO IMDS (COMPANY ID#13255)

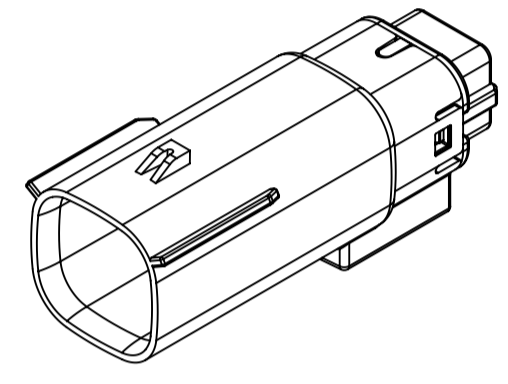
2. DESIGN - MATERIALS:
a. FOR BILL OF MATERIALS SEE:
-STANDARD CONFIGURATION: SD-33482-0002
-UL V0 CONFIGURATION: SD-160084-0002

3. DESIGN - GEOMETRY:
a. THE 3-D CAD DATA IS BASIC (WITHOUT TOLERANCE) AND MASTER FOR THIS PART WITH THE EXCEPTION OF UNDERLINED DIMENSIONS. DIMENSIONAL INFORMATION NOT SHOWN ON THIS DRAWING IS DEFINED BY THE DATA FILE AT ITS LATEST REVISION.
b. GEOMETRIC DIMENSIONS AND TOLERANCES PER ASME Y14.5M-2009
c. EDGES AND UNDIMENSIONED DETAILS PER ISO13715
d. CORNERS SHOWN AS SHARP TO BE R 0.2 MAX.
e. LETTERING SHALL BE 0.15 MAX RAISED IN 0.25 MAX RECESS PAD. THIS INCLUDES RECYCLING CODE, CAVITY ID, VENDOR IDENTIFICATION, AND CUSTOMER MATERIAL NUMBER.
f. VISUAL DEFECTS SHALL MEET COSMETIC STANDARD PS-45499-002 (Class B).
g. LASER MARKING:
1. PART NUMBER
2. DAY OF THE YEAR
3. SHIFT
4. YEAR
FOR ADDITIONAL INFORMATION SEE SECTION 5 UNDER PROCEDURES IN ES-34735-008.

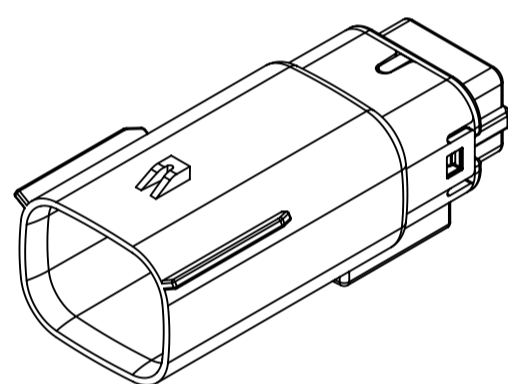
| MATING CONNECTOR DRAWINGS | |
|---------------------------|---------------|
| DESCRIPTION | MOLEX INLINE |
| 2X2 | SD-33472-0001 |
| 2X3 | SD-33472-0001 |
| 2X4 | SD-33472-0001 |
| 2X6 | SD-33472-0001 |
| 2X8 | SD-33472-0001 |
| 2X10 | SD-33472-0001 |



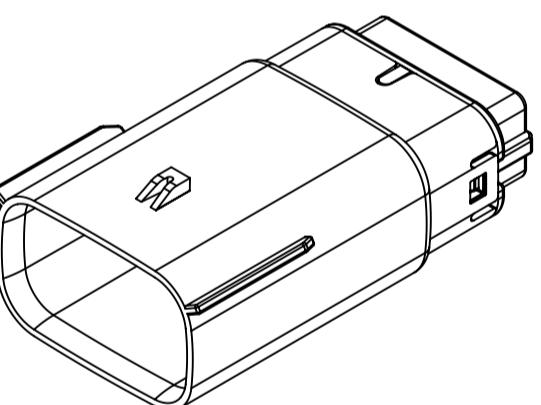
2X2



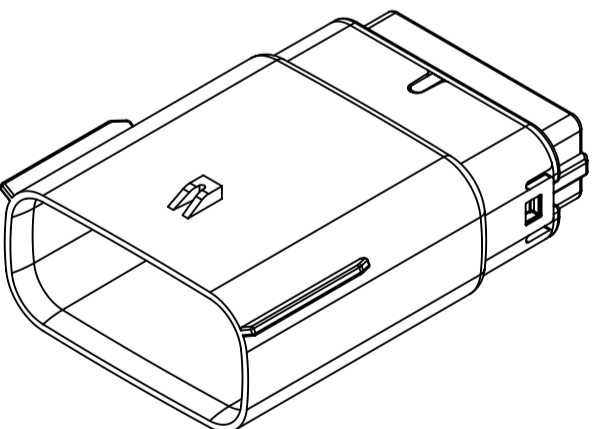
2X3



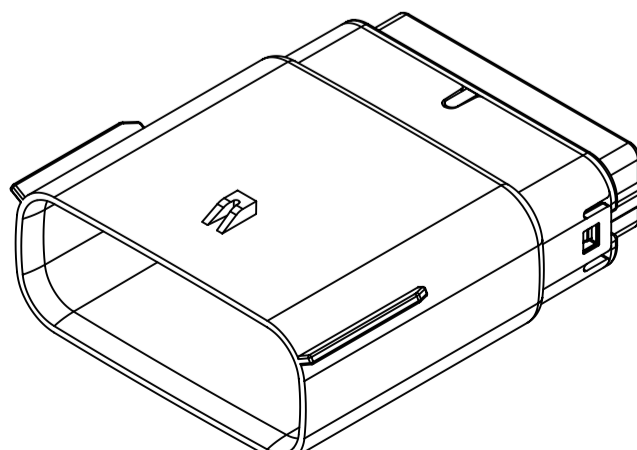
2X4



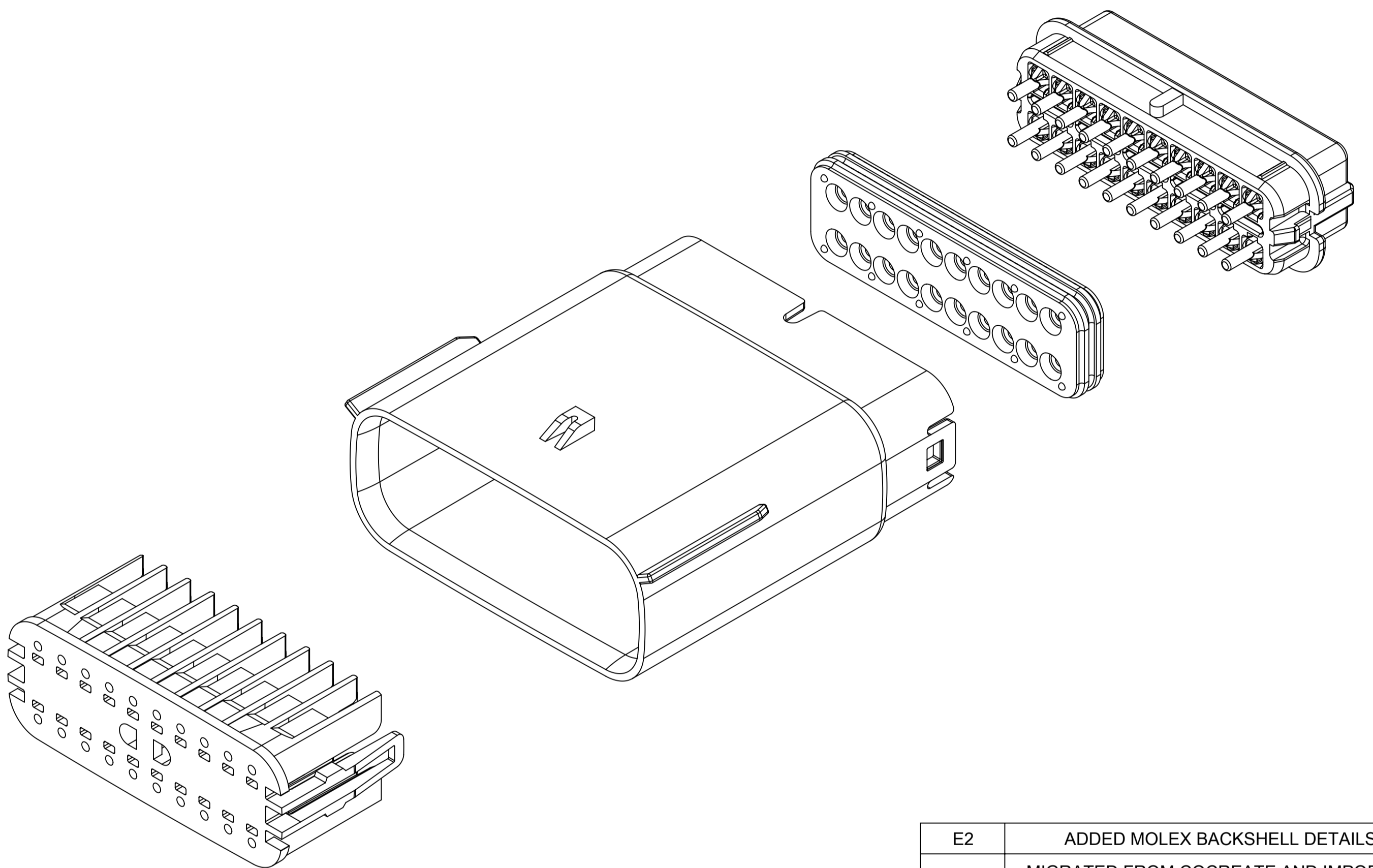
2X6



2X8



2X10

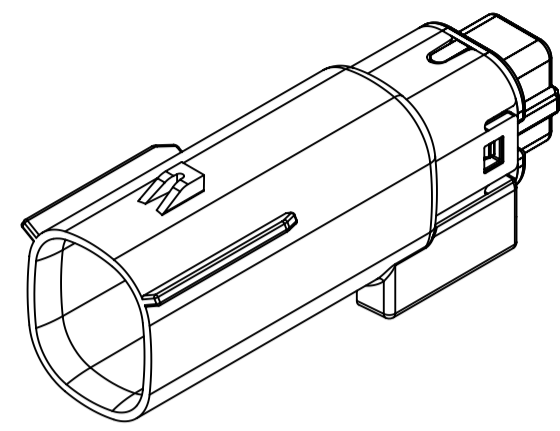


| REV | REV DESCRIPTION |
|-----|---|
| E2 | ADDED MOLEX BACKSHELL DETAILS |
| E1 | MIGRATED FROM COCREATE AND IMPORTED DXF FILES |
| E | ADDED CHARTED DIMENSIONS FOR 2X2, 2X4, 2X6 AND 2X8 WITH CLIPSLLOT |
| D | MINOR GEOMETRY CHANGE FOR UL V0 |
| C3 | ADD 2X4 |
| C2 | ADD 2X3 |
| C1 | ADD UL V0 CONFIGURATIONS |
| C | ADD 2X8 |
| B1 | ADD 2X6 BACKSHELL INFO |
| B | ADD 2X6 |
| A | INITIAL RELEASE |
| REV | REV DESCRIPTION |

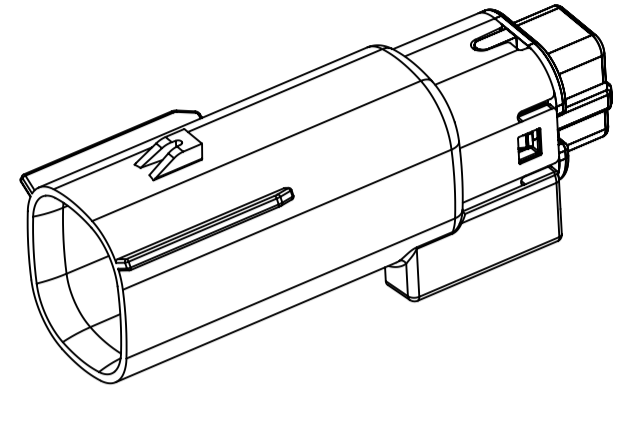
| INSPECTION NUMBER LOG | |
|-----------------------|---|
| LAST NUMBER: | 9 |
| ADDED: | |
| REMOVED: | |

| | | |
|--|--|--|
| SYMBOLS = 0 mm = 0 GENERAL TOLERANCES (UNLESS SPECIFIED) = 0 ANGULAR TOL ± 1.0° = 0 4 PLACES ± = 0 3 PLACES ± = 0 2 PLACES ± 0.1 = 0 1 PLACE ± 0.2 = 0 0 PLACES ± = 0 DRAFT WHERE APPLICABLE MUST REMAIN WITHIN DIMENSIONS | THIS DRAWING CONTAINS INFORMATION THAT IS PROPRIETARY TO MOLEX ELECTRONIC TECHNOLOGIES, LLC AND SHOULD NOT BE USED WITHOUT WRITTEN PERMISSION DIMENSION UNITS: mm SCALE: 1.5:1 CURRENT REV DESC: EC NO: 171650 DRWN: PMANJUNATHAC 2018/01/03 CHK'D: MVANSLAMBROU 2018/02/16 APPR: MVANSLAMBROU 2018/02/16 INITIAL REVISION: DRWN: APROFFITT 2014/04/28 APPR: VKOSHY 2014/05/14 | MX150 BLADE DUAL ROW SEALED ASSEMBLY MAT SEAL PRODUCT CUSTOMER DRAWING |
| | DOCUMENT NUMBER: SD-33482-0001 DOC TYPE: PSD DOC PART: 001 REVISION: E2 | MATERIAL NUMBER: GENERAL MARKET CUSTOMER: |

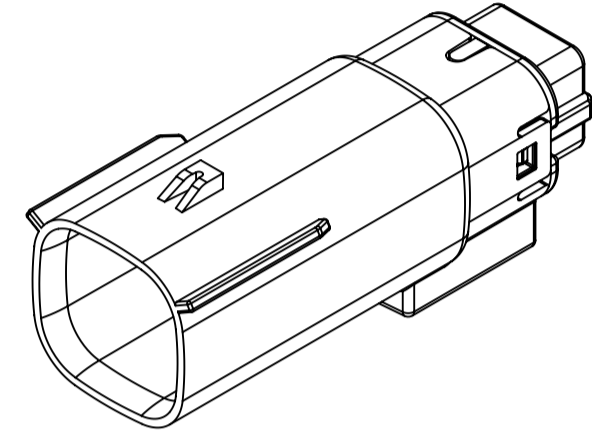
SHEET DESCRIPTION
CONFIGURATIONS



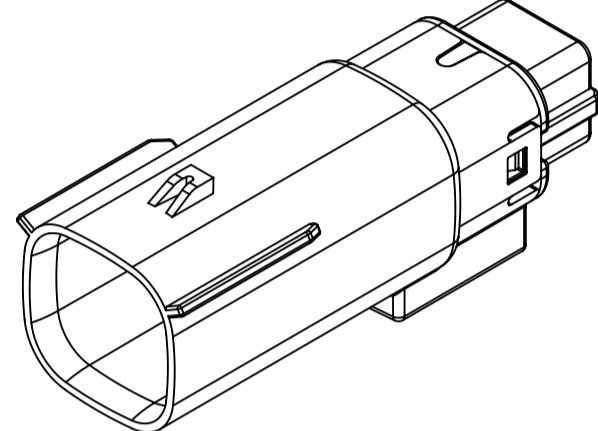
2X2 - STANDARD (STD)



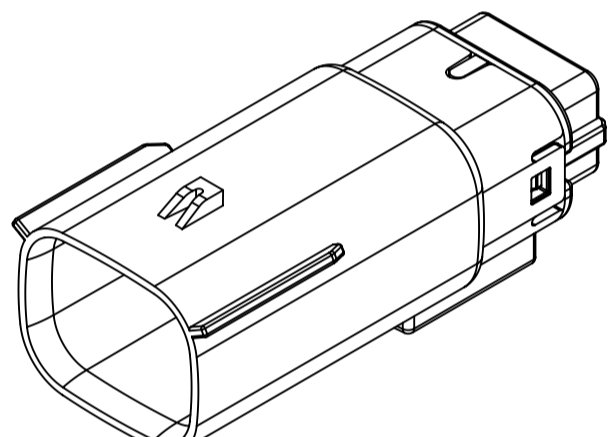
2X2 - UL V0*



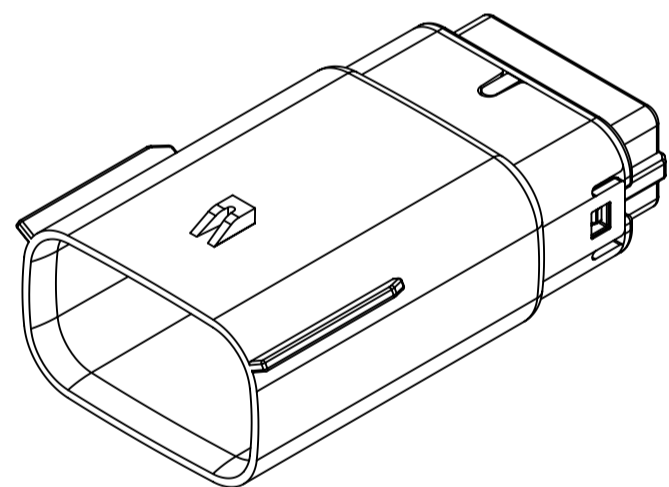
2X3 - STANDARD (STD)



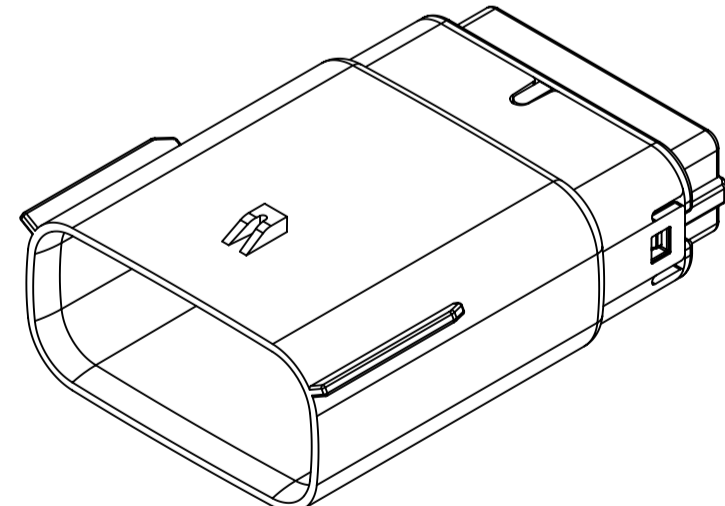
2X3 - LENGTHENED



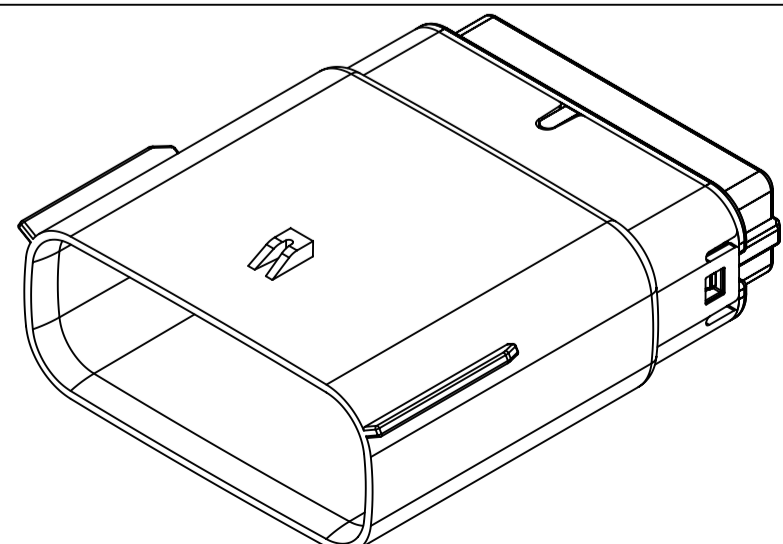
2X4 - STANDARD (STD)



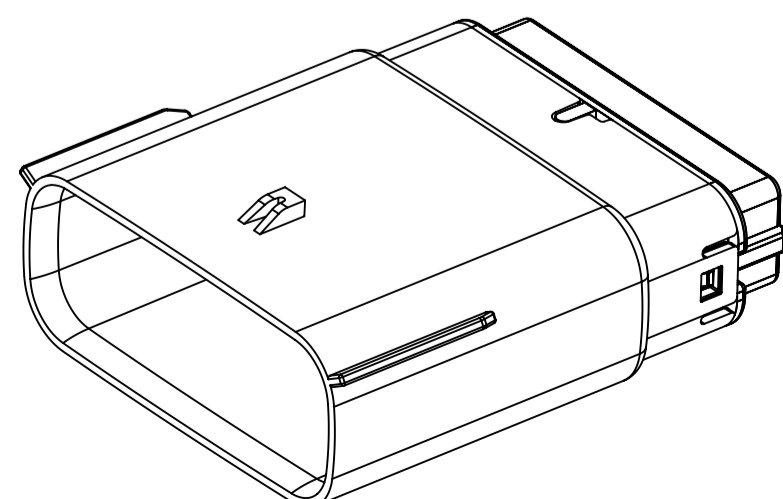
2X6 - STANDARD (STD)



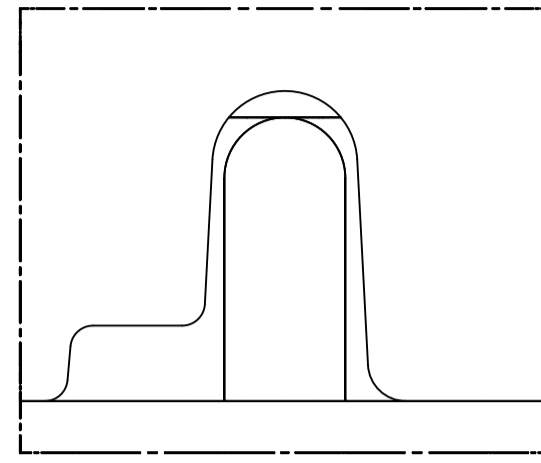
2X8 - STANDARD (STD)



2X10 - STANDARD (STD)



2X10 - UL V0*



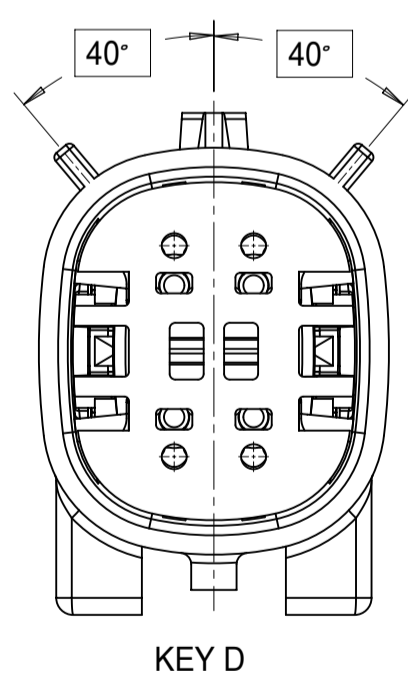
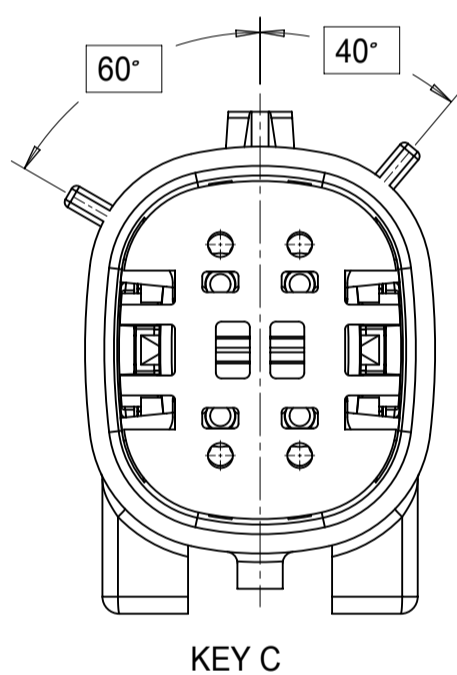
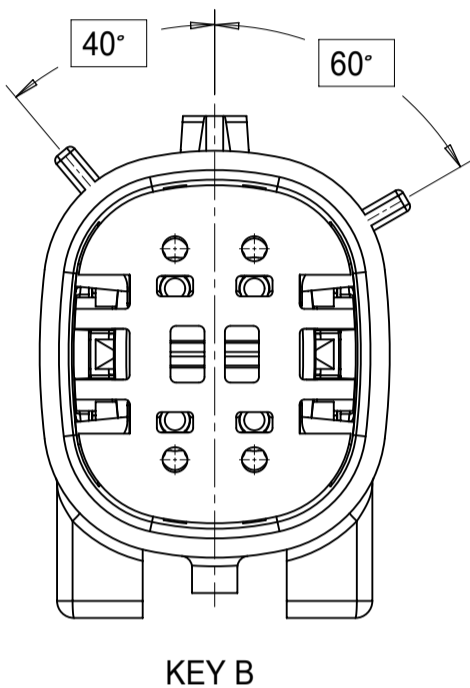
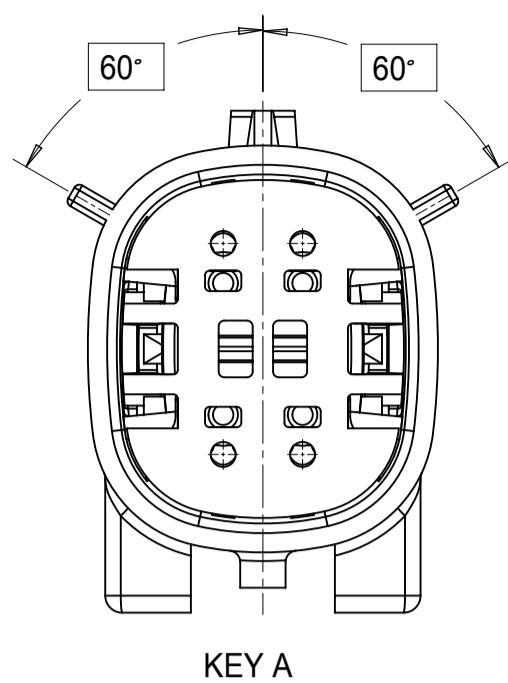
UL V0 UNIQUE FEATURE
Partial1
SCALE 10:1

* MINOR GEOMETRY CHANGE THAN STANDARD CONFIGURATION.
SEE NOTE 2a FOR MORE INFORMATION

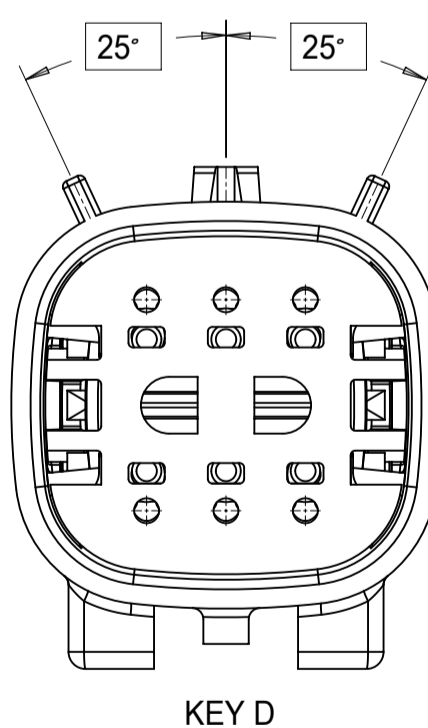
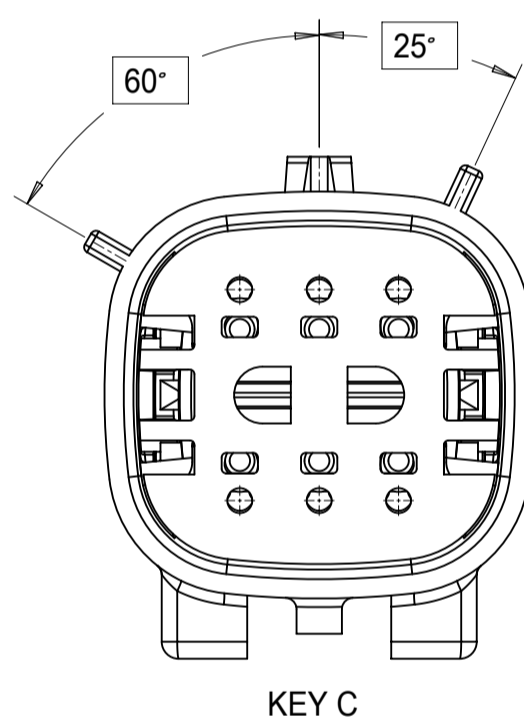
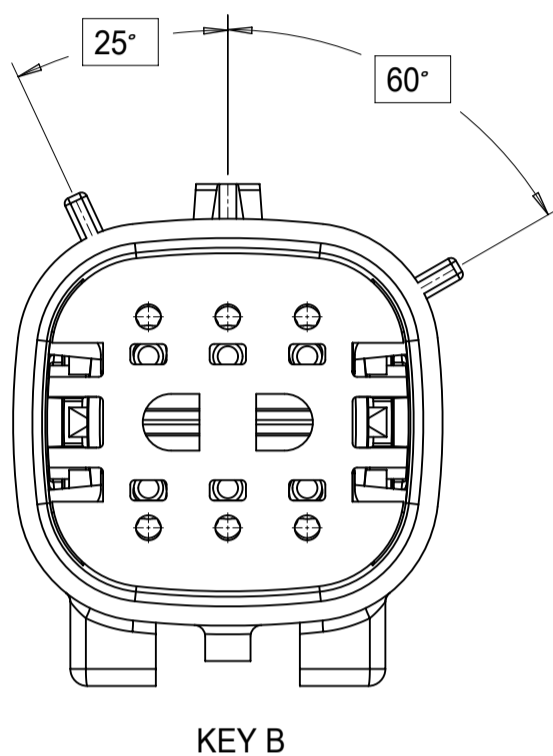
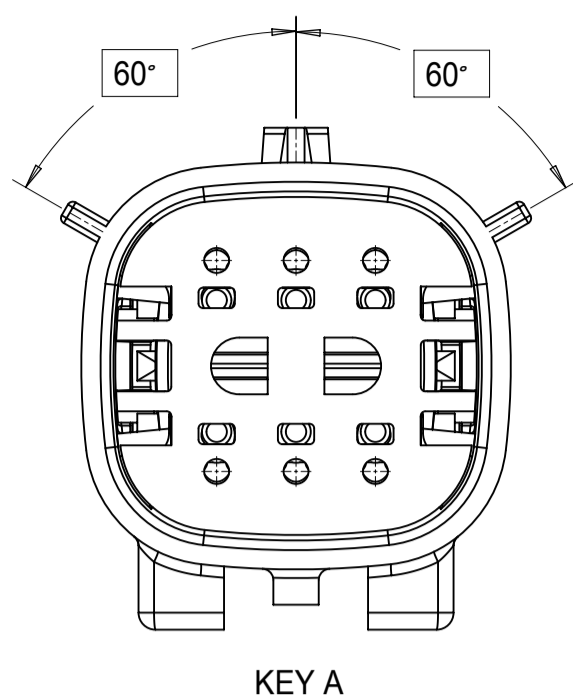
| | | | | | |
|---------|---|-------|--------------------------------|--------|--|
| SYMBOLS | THIS DRAWING CONTAINS INFORMATION THAT IS PROPRIETARY TO MOLEX ELECTRONIC TECHNOLOGIES, LLC AND SHOULD NOT BE USED WITHOUT WRITTEN PERMISSION | | CURRENT REV DESC: | | molex |
| | DIMENSION UNITS | SCALE | | | |
| ▽ = 0 | mm | 1.5:1 | EC NO: 171650 | | MX150 BLADE DUAL ROW SEALED ASSEMBLY MAT SEAL |
| ▽ = 0 | GENERAL TOLERANCES (UNLESS SPECIFIED) | | DRWN: PMANJUNATHAC 2018/01/03 | | |
| ▽ = 0 | ANGULAR TOL ± 1.0° | | CHK'D: MVANSLAMBROU 2018/02/16 | | |
| ▽ = 0 | 4 PLACES ± | | APPR: MVANSLAMBROU 2018/02/16 | | |
| ▽ = 0 | 3 PLACES ± | | INITIAL REVISION: | | |
| ▽ = 0 | 2 PLACES ± 0.1 | | DRWN: APROFFITT 2014/04/28 | | |
| ▽ = 0 | 1 PLACE ± 0.2 | | APPR: VKOSHY 2014/05/14 | | |
| ▽ = 0 | 0 PLACES ± | | THIRD ANGLE PROJECTION | | |
| ▽ = 0 | DRAFT WHERE APPLICABLE MUST REMAIN WITHIN DIMENSIONS | | DRAWING | SERIES | DOCUMENT NUMBER |
| | | | A1-SIZE | 33482 | SD-33482-0001 |
| | | | | | DOC TYPE DOC PART REVISION |
| | | | | | PSD 001 E2 |
| | | | | | PRODUCT CUSTOMER DRAWING |
| | | | | | CUSTOMER |
| | | | | | GENERAL MARKET |
| | | | | | SHEET NUMBER |
| | | | | | 2 OF 11 |

SHEET DESCRIPTION
KEY CONFIGURATIONS

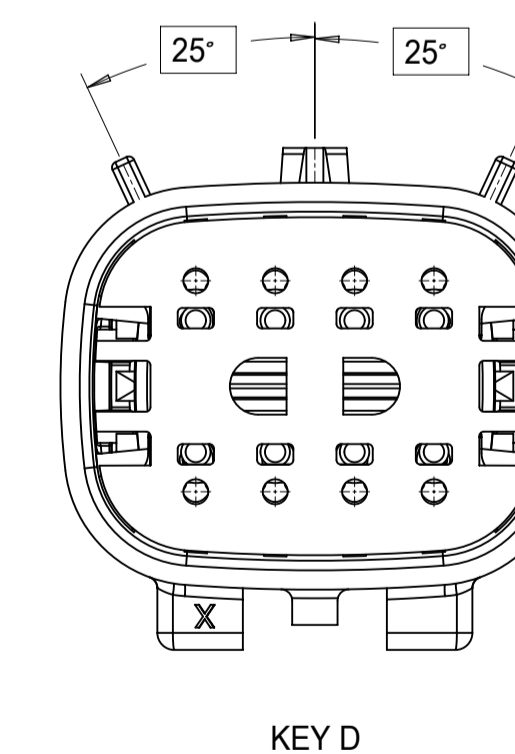
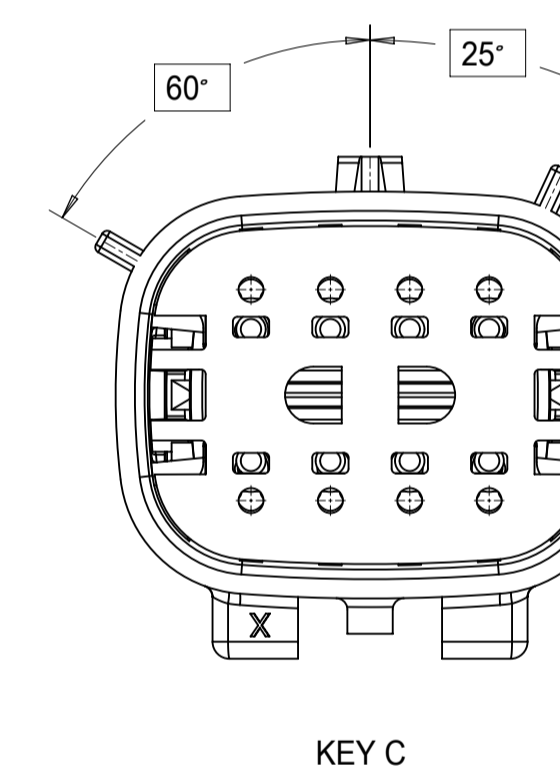
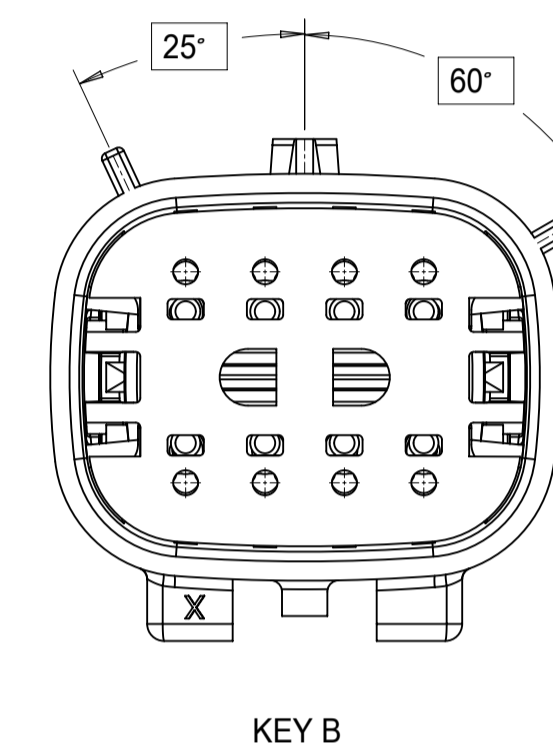
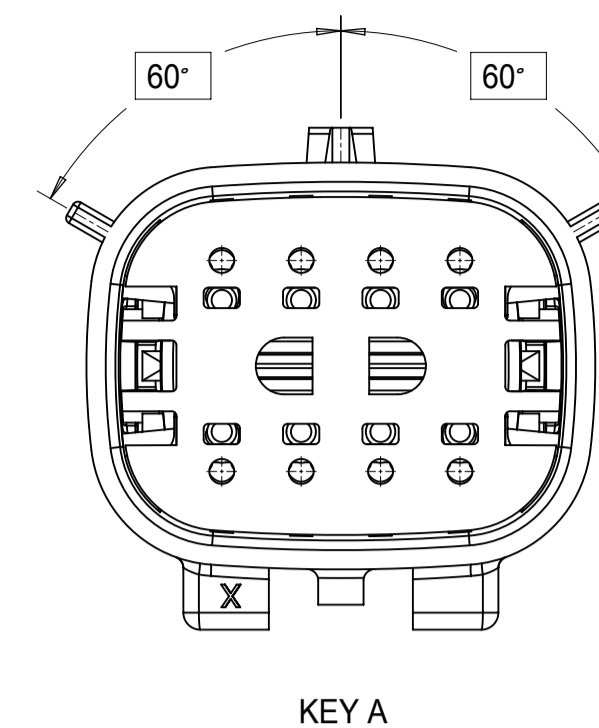
2X2



2X3



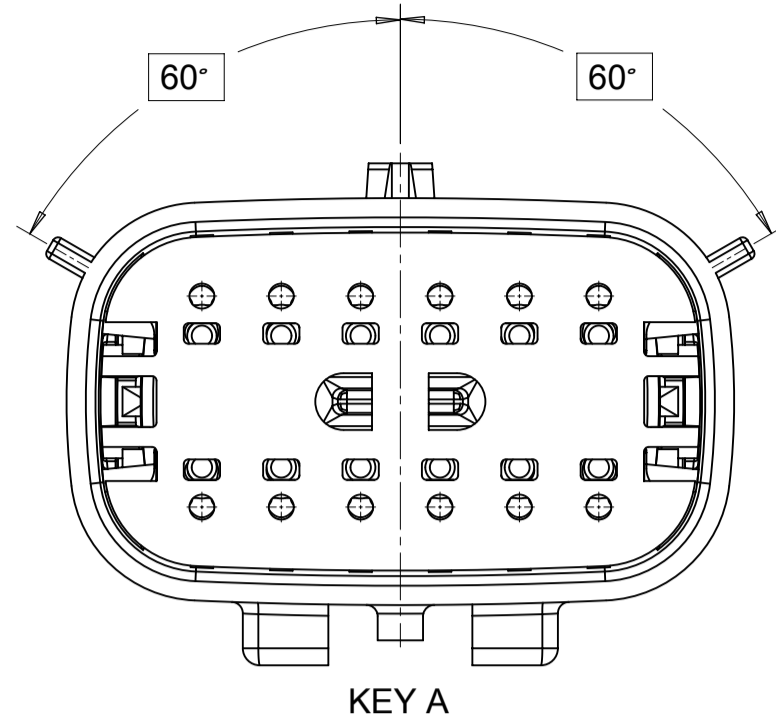
2X4



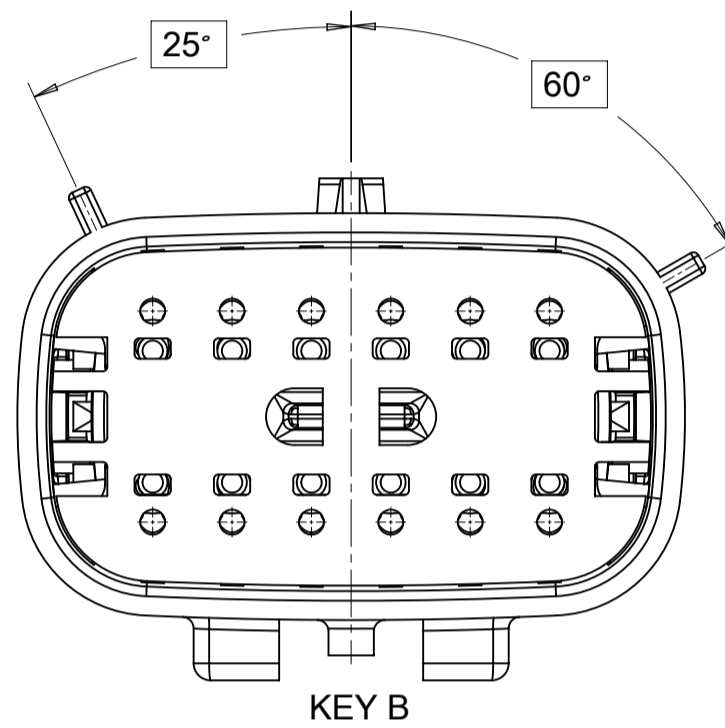
| | | | | | |
|---|--|--|--|--------------------------------|--|
| SYMBOLS = 0 = 0 = 0 = 0 = 0 = 0 = 0 = 0 = 0 = 0 = 0 | THIS DRAWING CONTAINS INFORMATION THAT IS PROPRIETARY TO MOLEX ELECTRONIC TECHNOLOGIES, LLC AND SHOULD NOT BE USED WITHOUT WRITTEN PERMISSION DIMENSION UNITS: mm SCALE: 3:1 | CURRENT REV DESC: EC NO: 171650 DRWN: PMANJUNATHAC 2018/01/03 CHK'D: MVANSLAMBROU 2018/02/16 APPR: MVANSLAMBROU 2018/02/16 | MX150 BLADE DUAL ROW SEALED ASSEMBLY MAT SEAL | | |
| | GENERAL TOLERANCES (UNLESS SPECIFIED) ANGULAR TOL ± 1.0° 4 PLACES ± 3 PLACES ± 2 PLACES ± 0.1 1 PLACE ± 0.2 0 PLACES ± | INITIAL REVISION: DRWN: APROFFITT 2014/04/28 APPR: VKOSHY 2014/05/14 | | | |
| DRAFT WHERE APPLICABLE MUST REMAIN WITHIN DIMENSIONS | THIRD ANGLE PROJECTION | DRAWING: A1-SIZE SERIES: 33482 | MATERIAL NUMBER CUSTOMER: GENERAL MARKET | SHEET NUMBER 3 OF 11 | |

SHEET DESCRIPTION
KEY CONFIGURATIONS CONT.

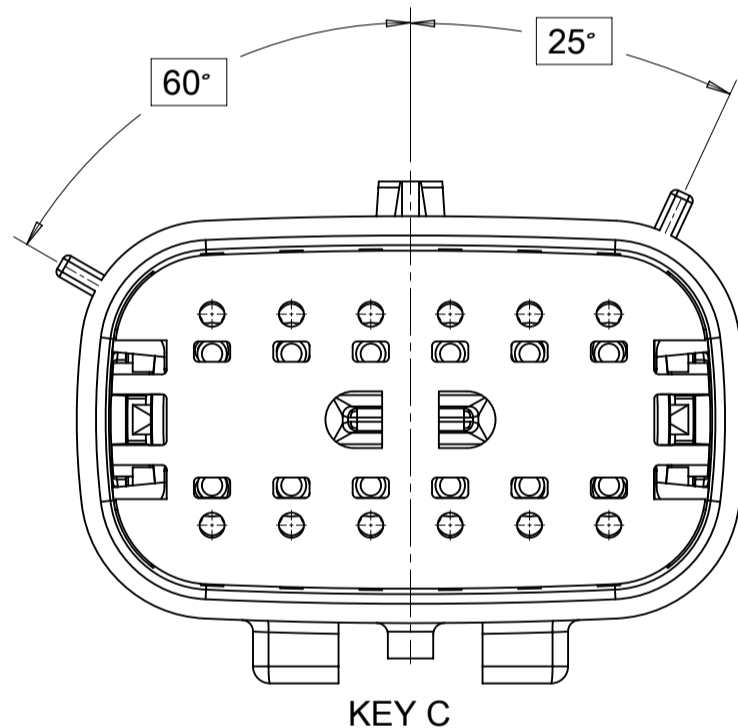
2X6



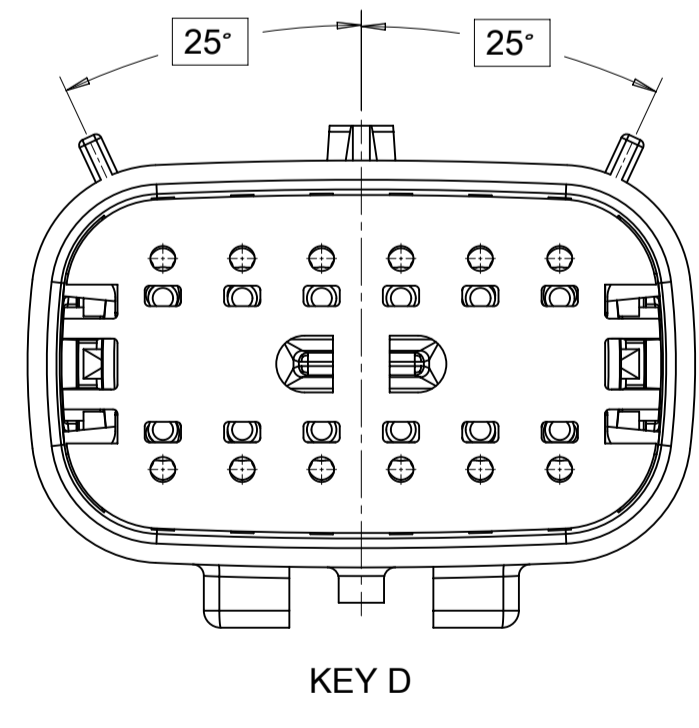
KEY A



KEY B

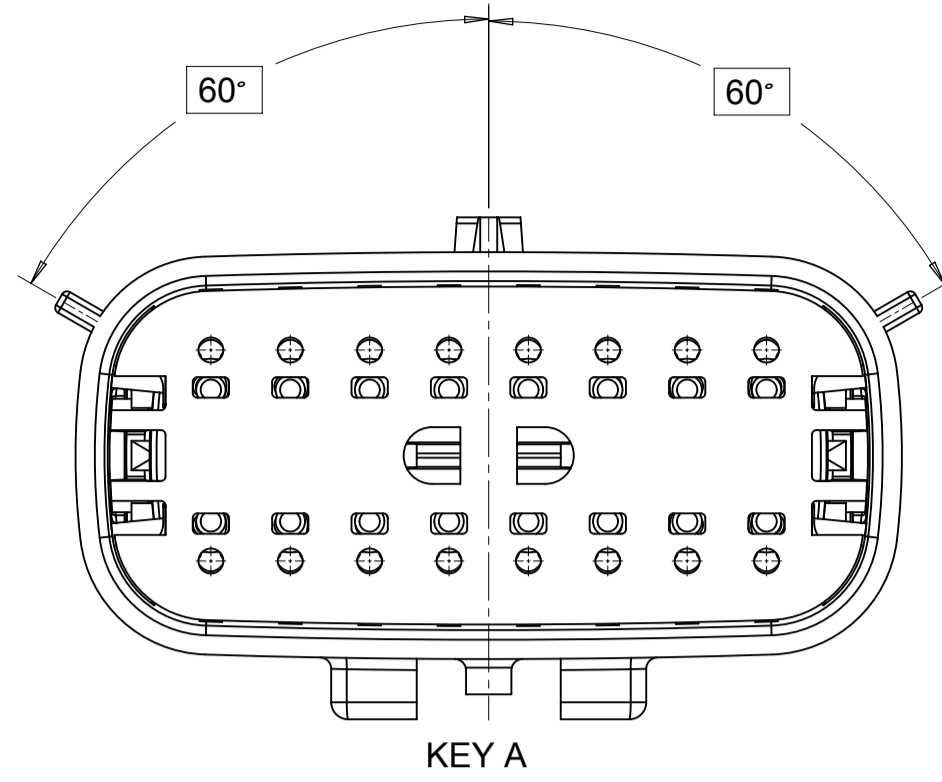


KEY C

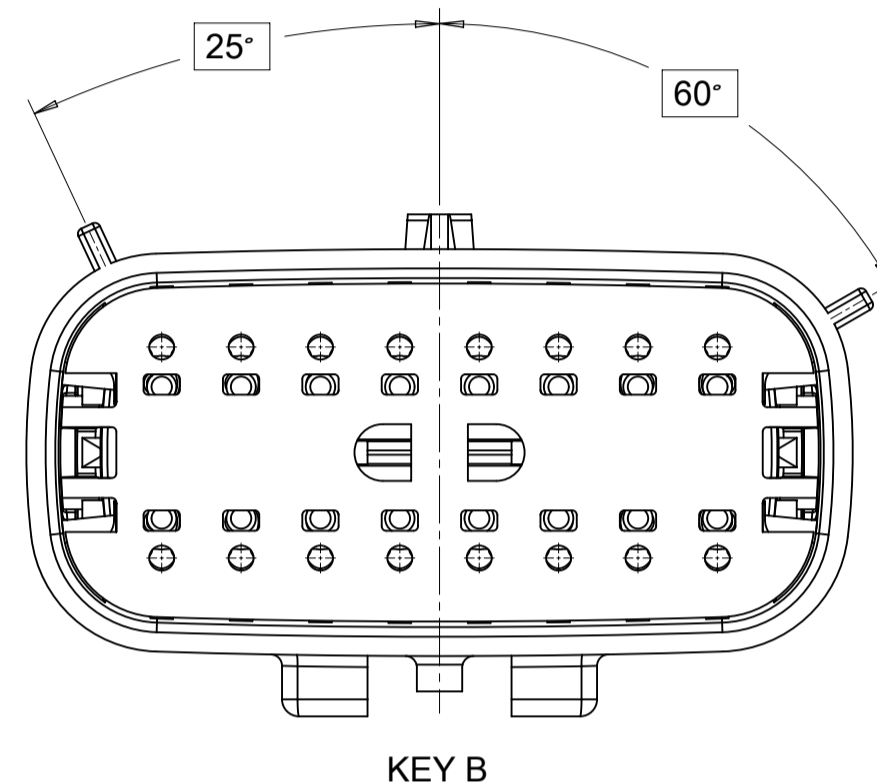


KEY D

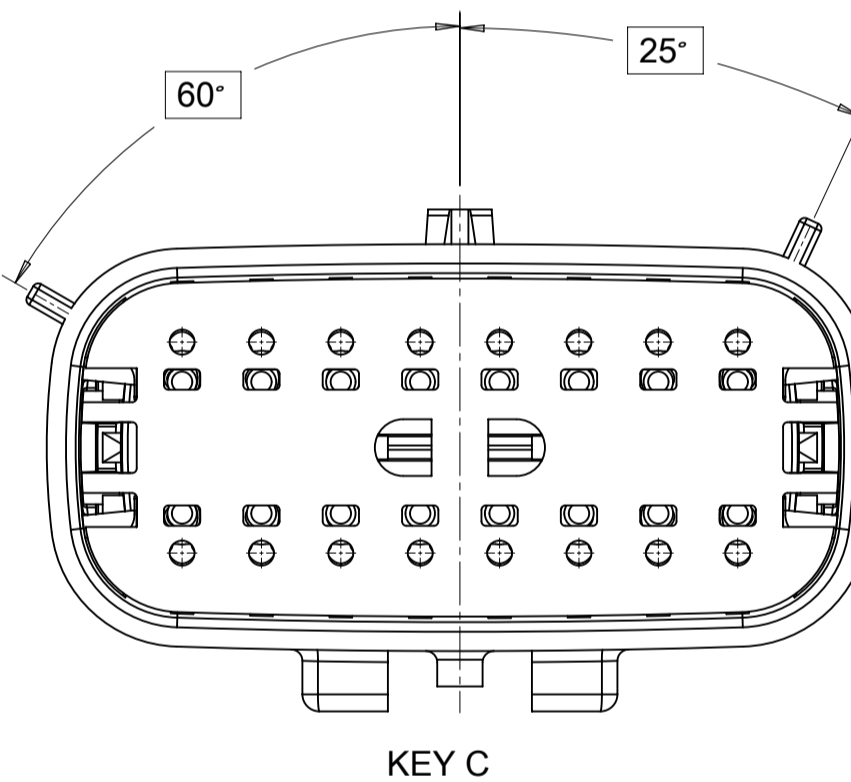
2X8



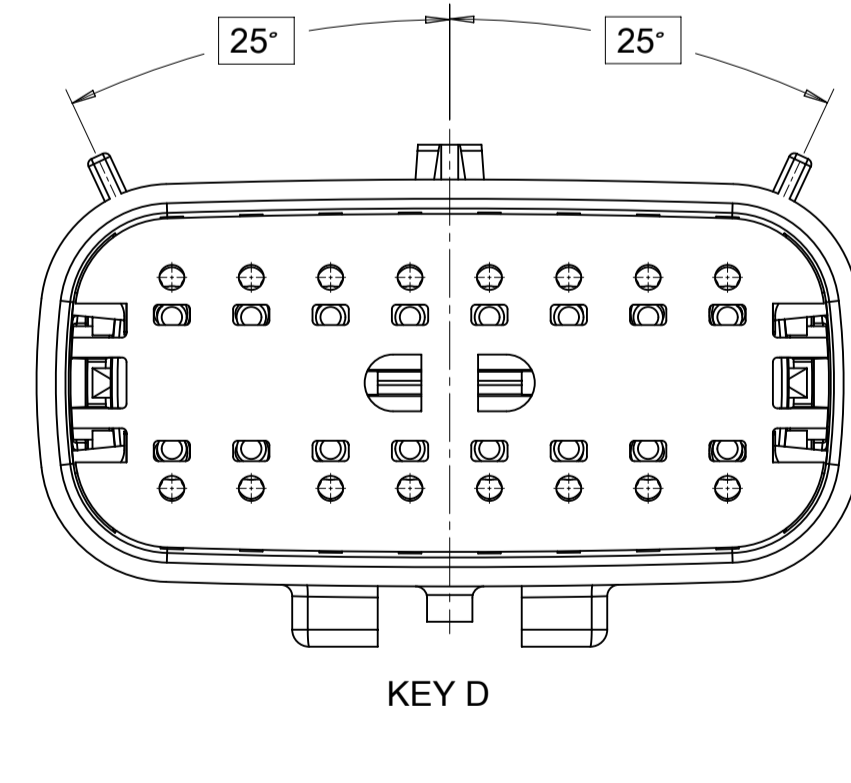
KEY A



KEY B

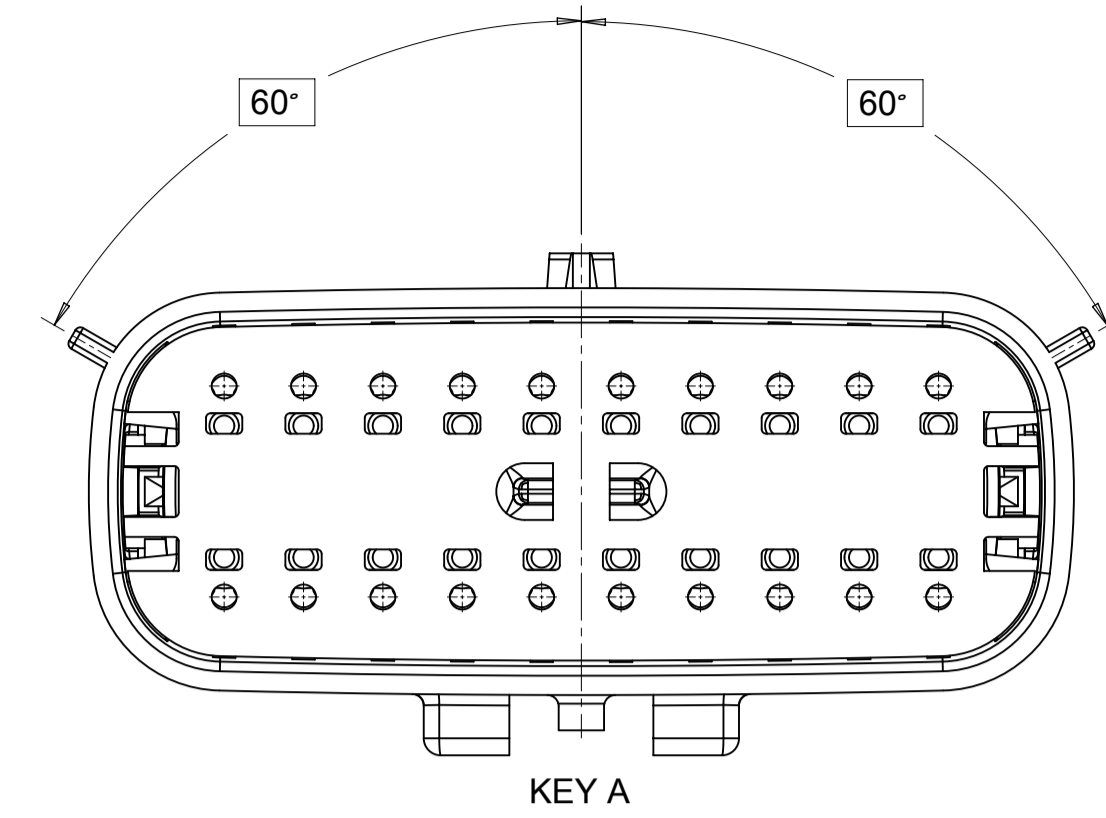


KEY C

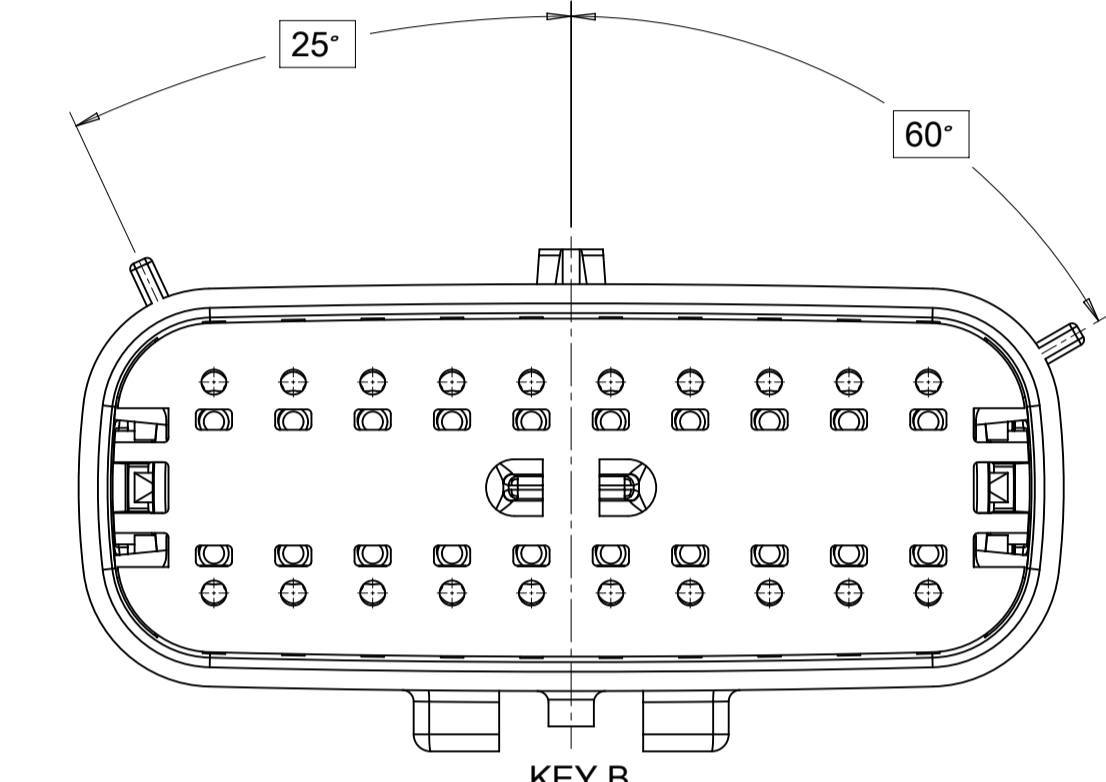


KEY D

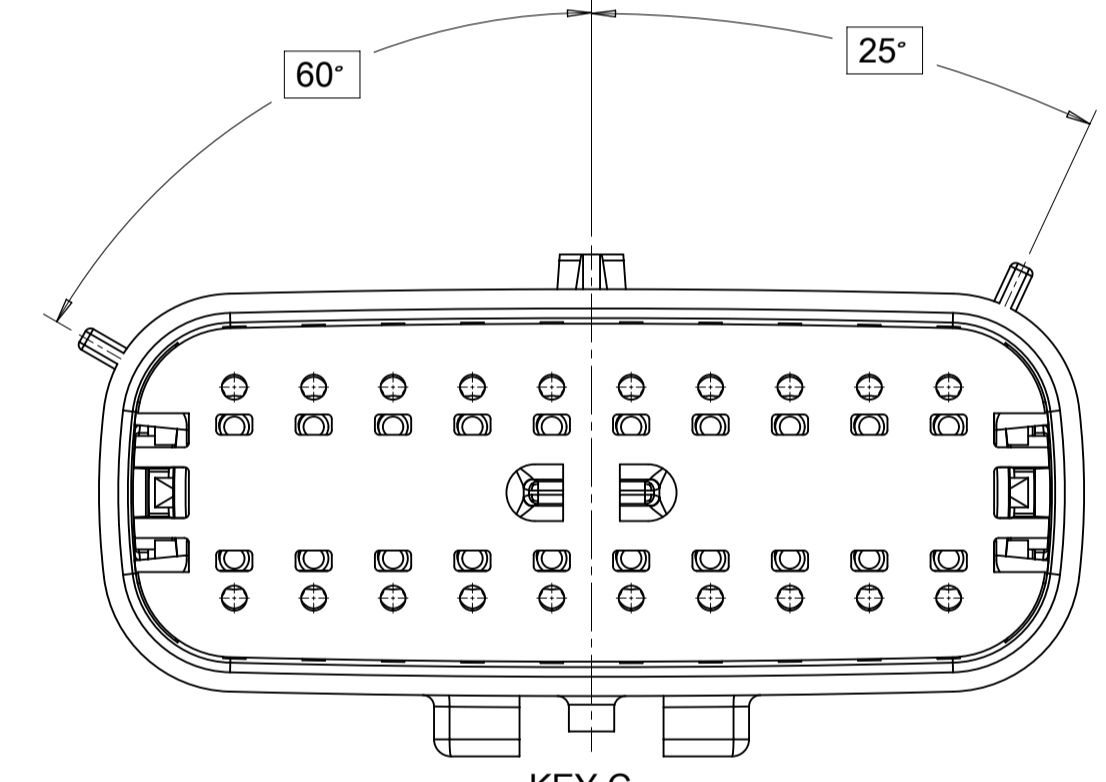
2X10



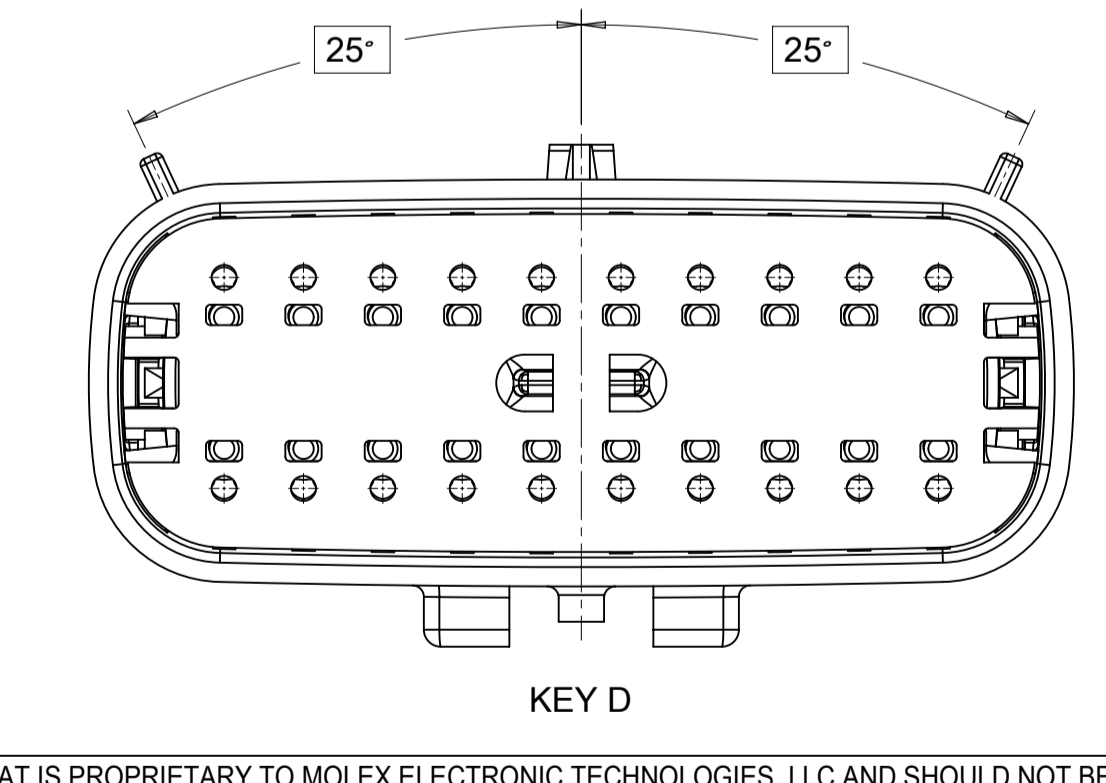
KEY A



KEY B



KEY C

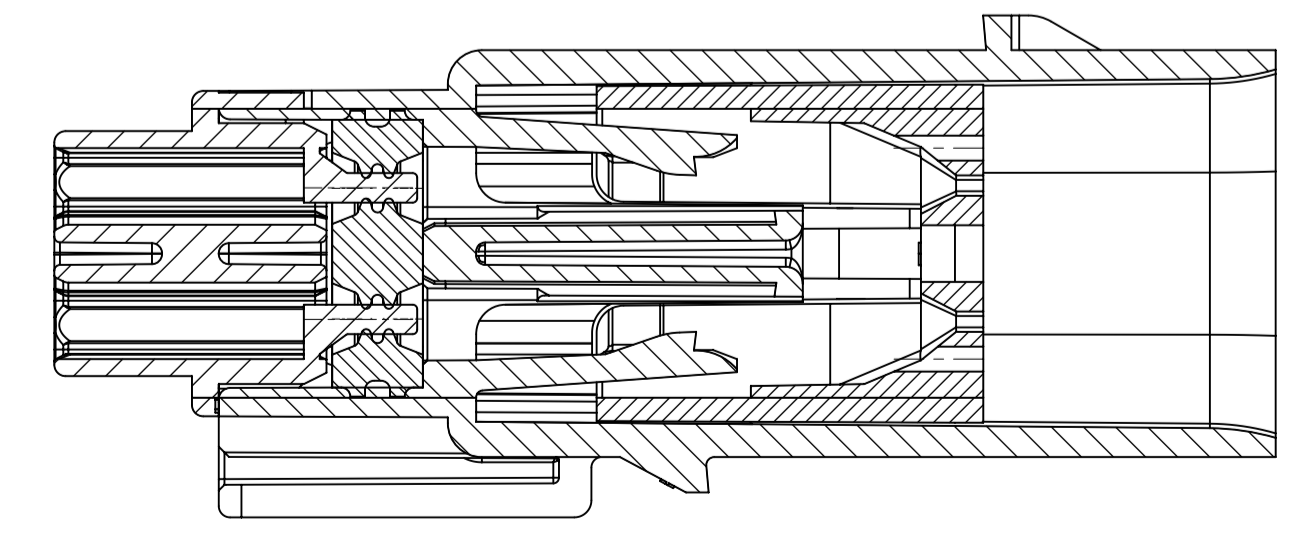
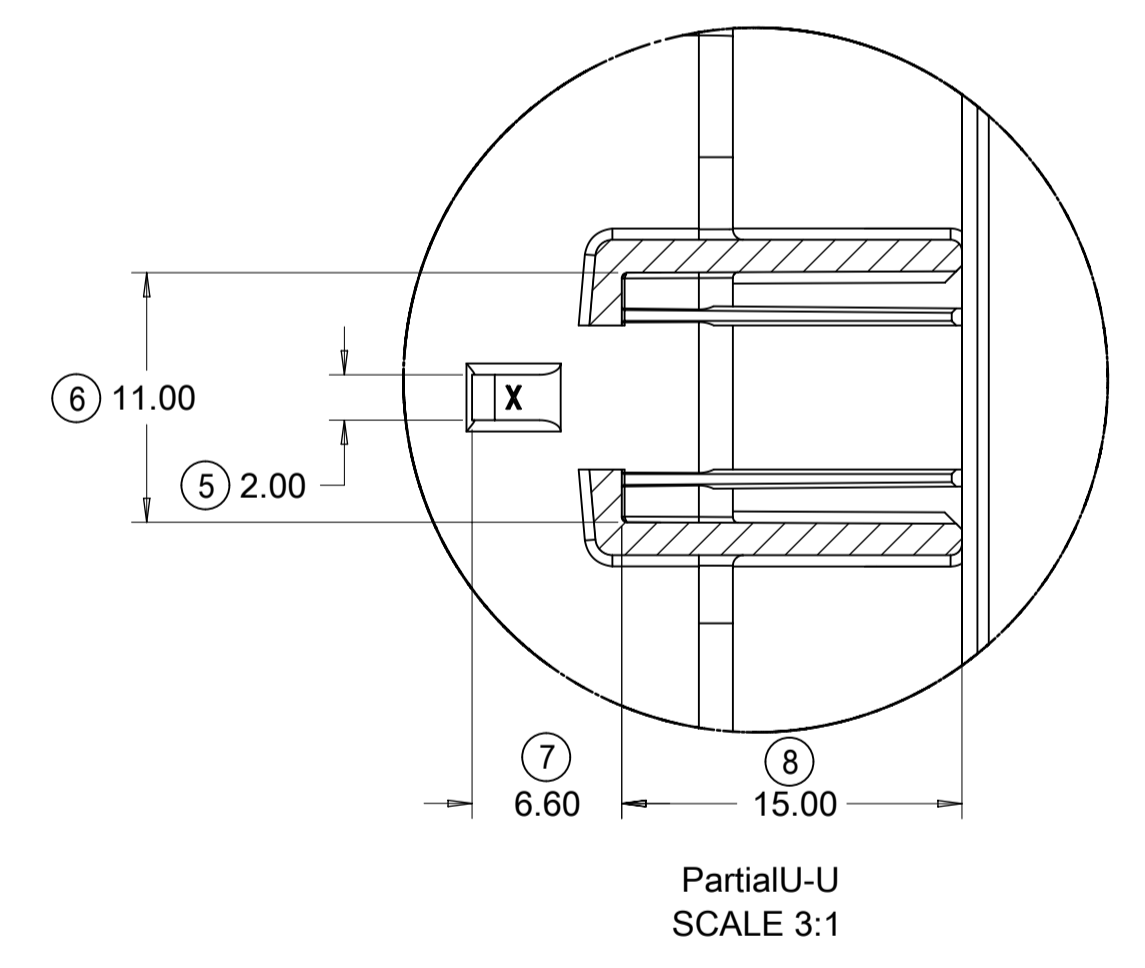
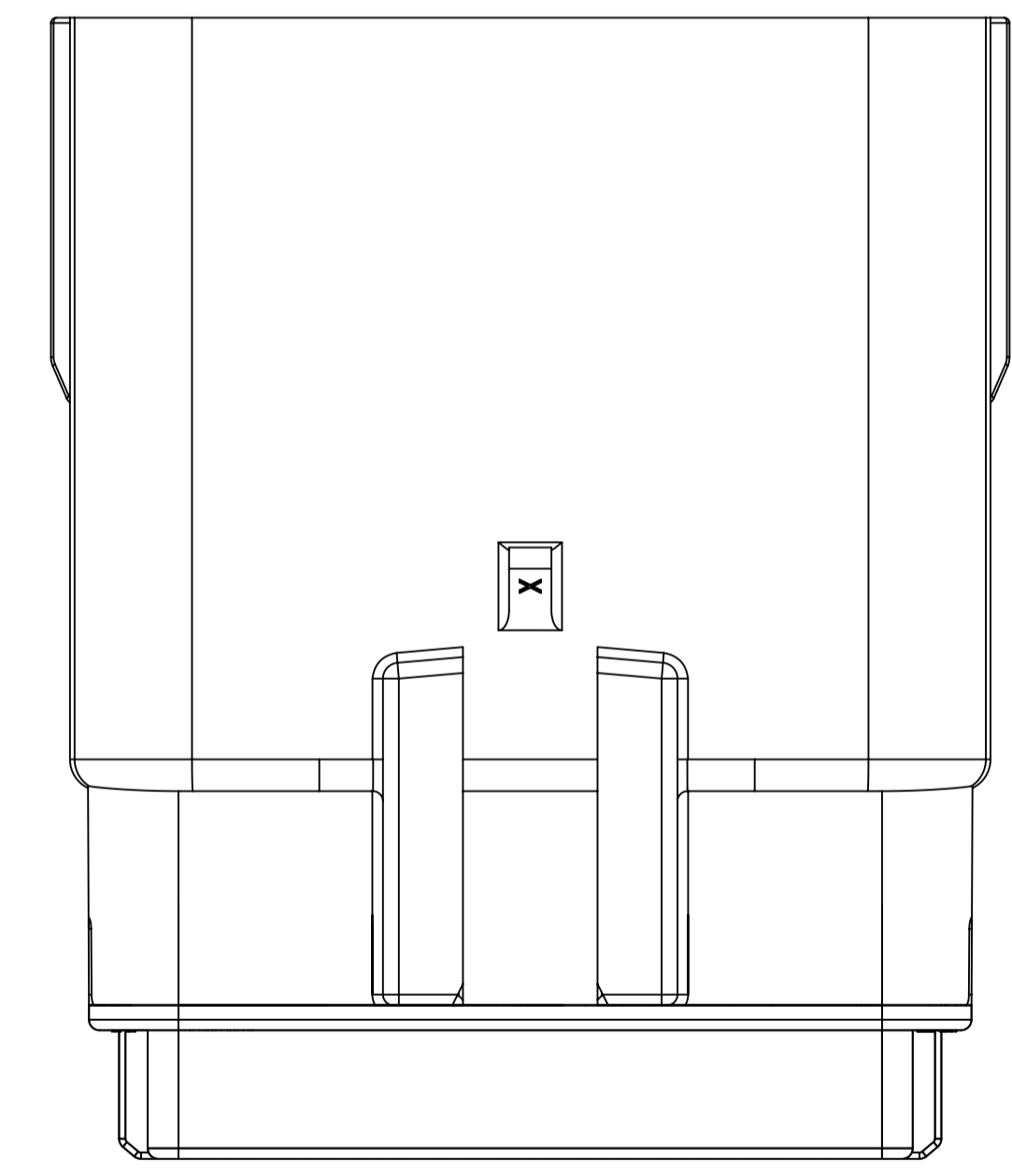
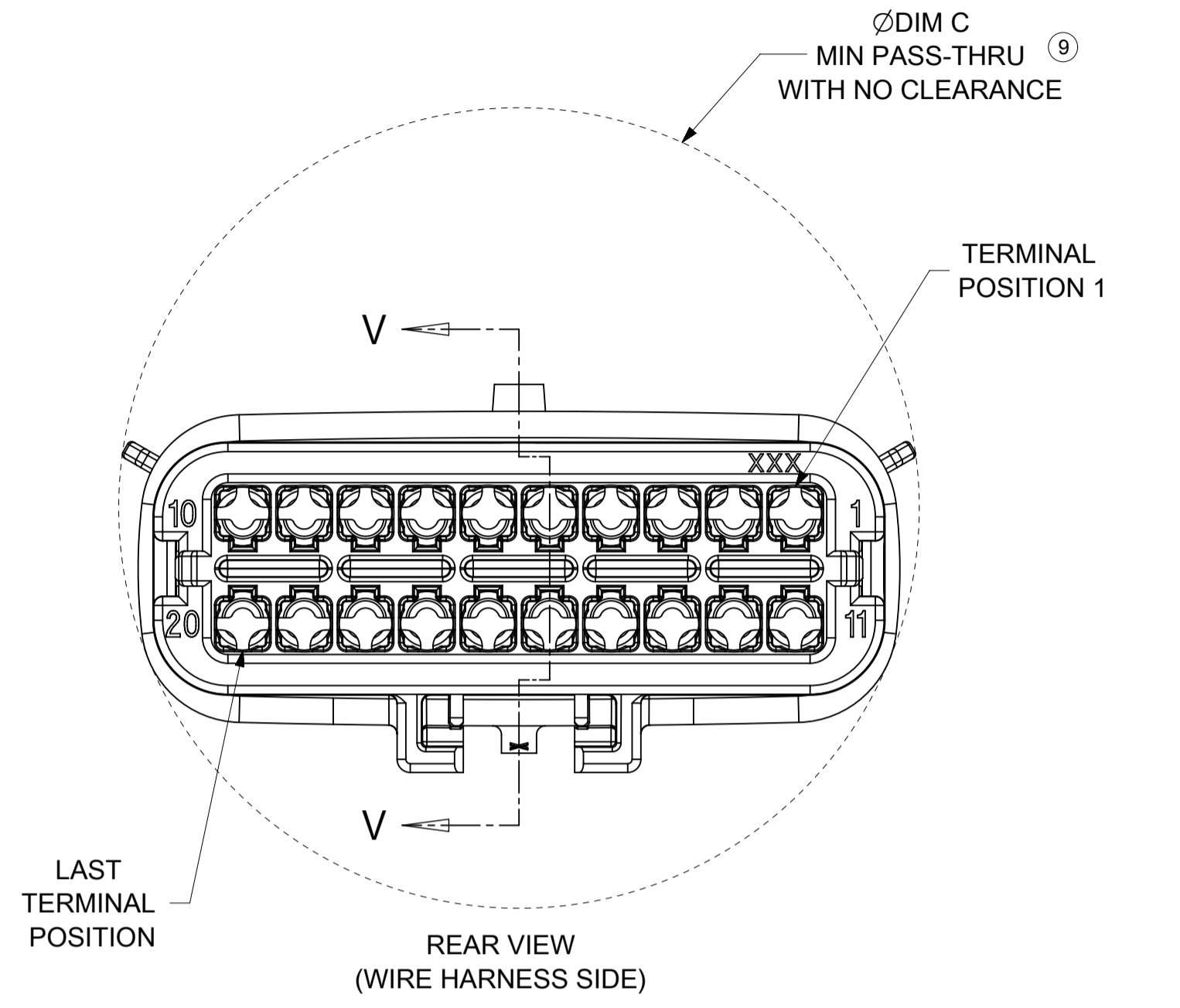
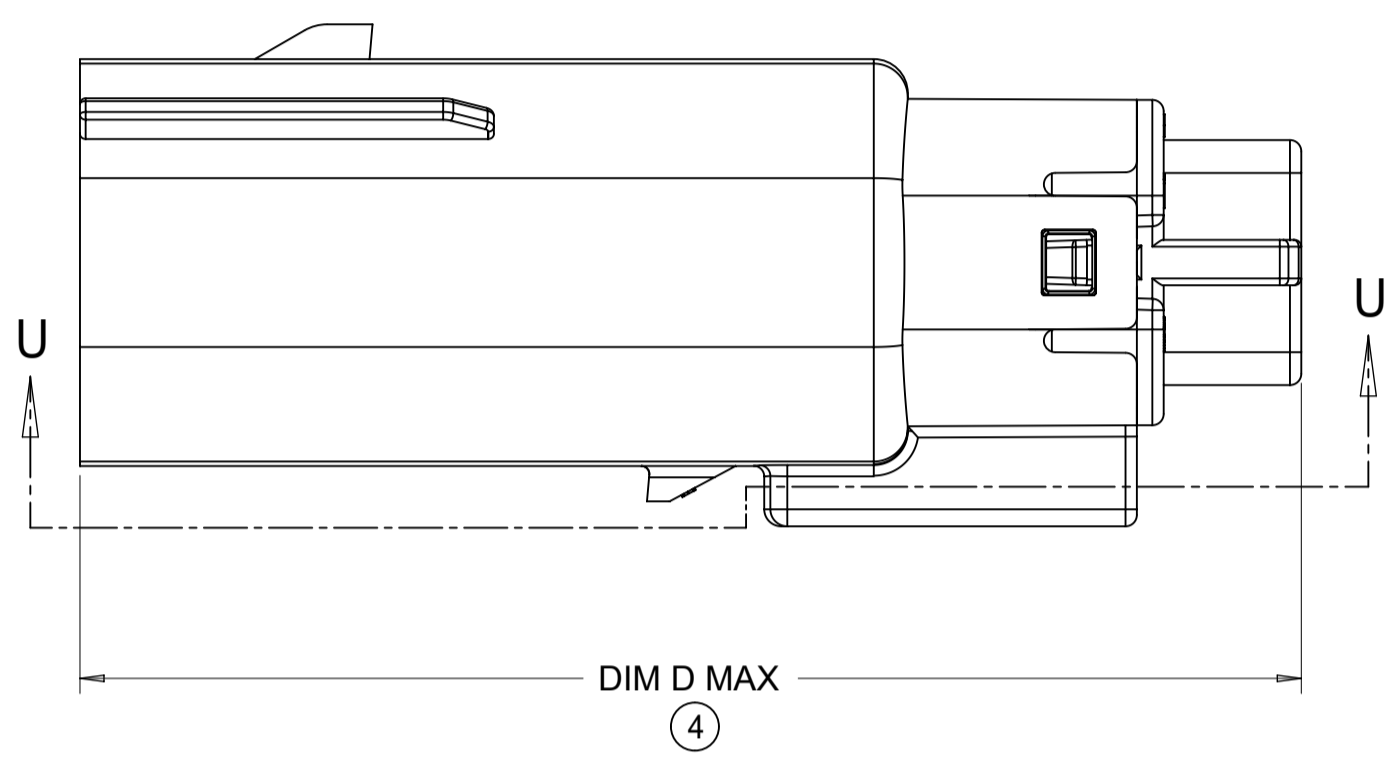
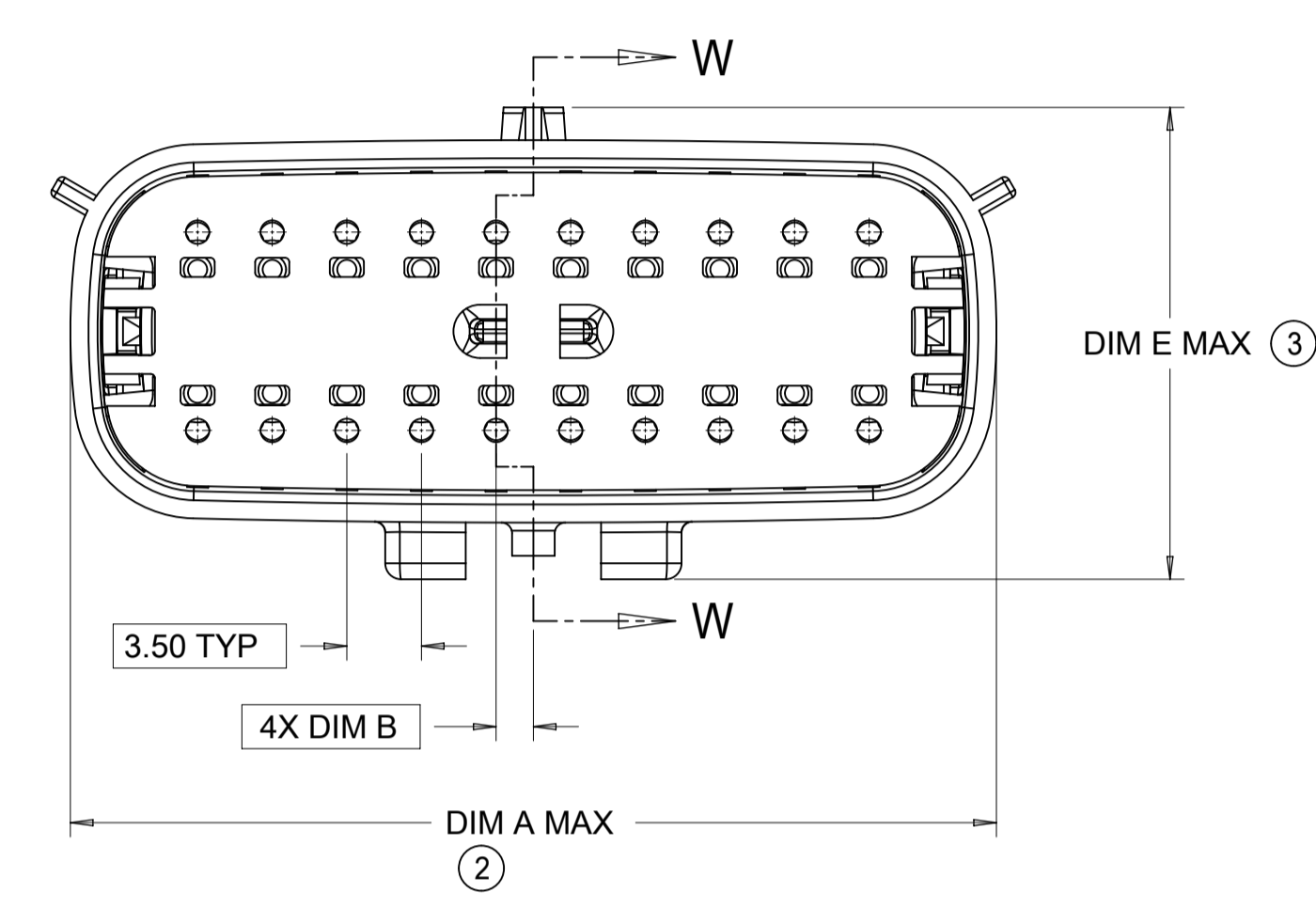
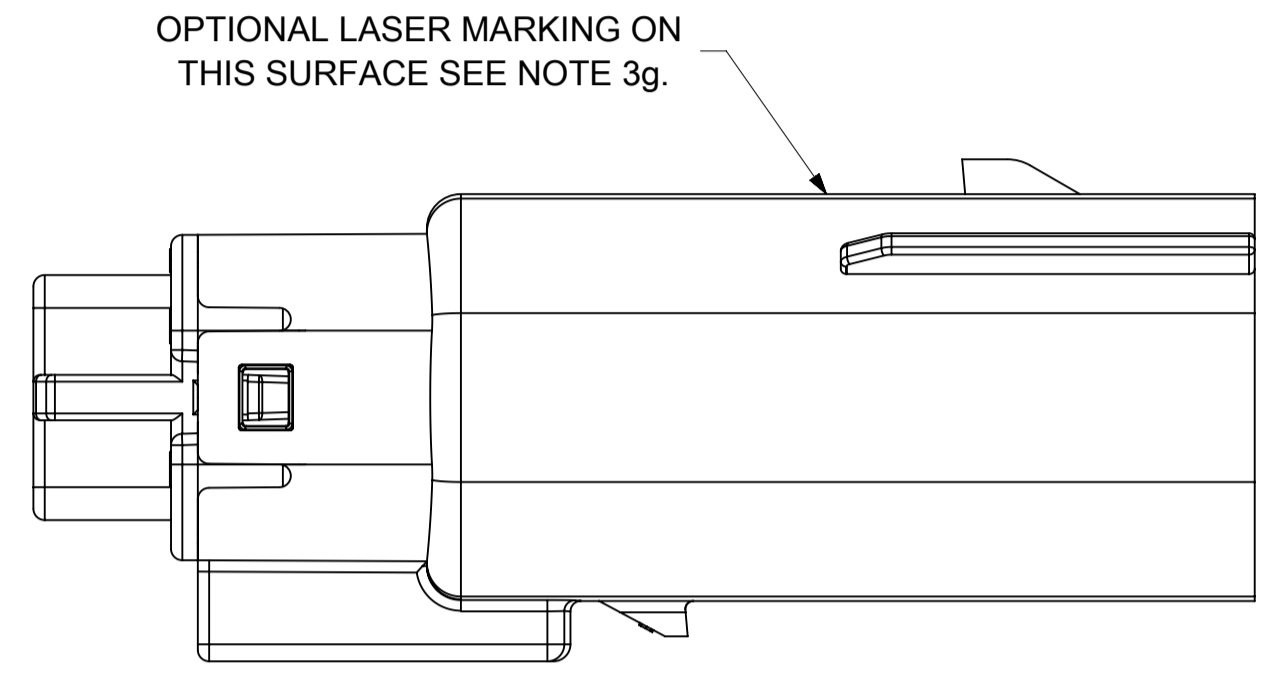


KEY D

| | | | | | | | | |
|---------|---|-------|-------------------------------|--------------------------------|-----------------------------------|----------------|--------------|---------------|
| SYMBOLS | THIS DRAWING CONTAINS INFORMATION THAT IS PROPRIETARY TO MOLEX ELECTRONIC TECHNOLOGIES, LLC AND SHOULD NOT BE USED WITHOUT WRITTEN PERMISSION | | CURRENT REV DESC: | | | | | |
| | DIMENSION UNITS | SCALE | | | | | | EC NO: 171650 |
| ▽ = 0 | mm | 3:1 | DRWN: PMANJUNATHAC 2018/01/03 | CHK'D: MVANSLAMBROU 2018/02/16 | DUAL ROW SEALED ASSEMBLY MAT SEAL | | | |
| ▽ = 0 | GENERAL TOLERANCES (UNLESS SPECIFIED) | | APPR: MVANSLAMBROU 2018/02/16 | INITIAL REVISION: | PRODUCT CUSTOMER DRAWING | | | |
| ▽ = 0 | ANGULAR TOL ± 1.0° | | DRWN: APROFFITT 2014/04/28 | APPR: VKOSHY 2014/05/14 | DOCUMENT NUMBER | DOC TYPE | DOC PART | REVISION |
| ▽ = 0 | 4 PLACES ± | | DRWN: APROFFITT 2014/04/28 | APPR: VKOSHY 2014/05/14 | SD-33482-0001 | PSD | 001 | E2 |
| ▽ = 0 | 3 PLACES ± | | DRWN: APROFFITT 2014/04/28 | APPR: VKOSHY 2014/05/14 | MATERIAL NUMBER | CUSTOMER | SHEET NUMBER | |
| ▽ = 0 | 2 PLACES ± 0.1 | | DRWN: APROFFITT 2014/04/28 | APPR: VKOSHY 2014/05/14 | 33482 | GENERAL MARKET | 4 OF 11 | |
| ▽ = 0 | 1 PLACE ± 0.2 | | DRWN: APROFFITT 2014/04/28 | APPR: VKOSHY 2014/05/14 | | | | |
| ▽ = 0 | 0 PLACES ± | | DRWN: APROFFITT 2014/04/28 | APPR: VKOSHY 2014/05/14 | | | | |
| ▽ = 0 | DRAFT WHERE APPLICABLE MUST REMAIN WITHIN DIMENSIONS | | THIRD ANGLE PROJECTION | DRAWING | SERIES | | | |
| ▽ = 0 | | | | A1-SIZE | 33482 | | | |

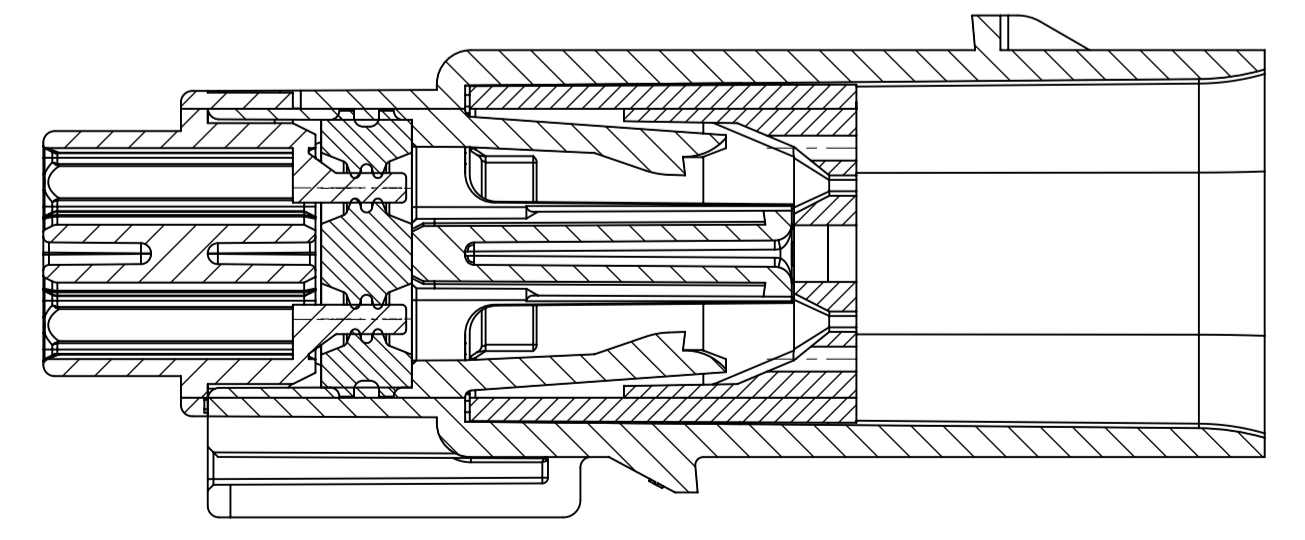
SHEET DESCRIPTION
BLADE SEALED ASSEMBLY

| DESCRIPTION | DIMENSIONS | | | | |
|----------------|------------|------|-------|-------|-------|
| | A | B | C | D | E |
| 2X2 | 15.54 | 1.75 | 24.40 | 54.45 | 22.23 |
| 2X3 STANDARD | 19.04 | 3.50 | 26.21 | 54.45 | 22.23 |
| 2X3 LENGTHENED | 19.04 | 3.50 | 26.21 | 56.45 | 22.23 |
| 2X4 | 22.54 | 1.75 | 27.21 | 54.45 | 22.23 |
| 2X6 | 29.54 | 1.75 | 32.27 | 54.45 | 22.23 |
| 2X8 | 36.54 | 1.75 | 38.88 | 54.45 | 22.23 |
| 2X10 | 43.64 | 1.75 | 45.65 | 54.45 | 22.05 |



PRIMARY LOCK REINFORCEMENT (PLR) SHOWN IN PRE-STAGED POSITION

SECTION W-W



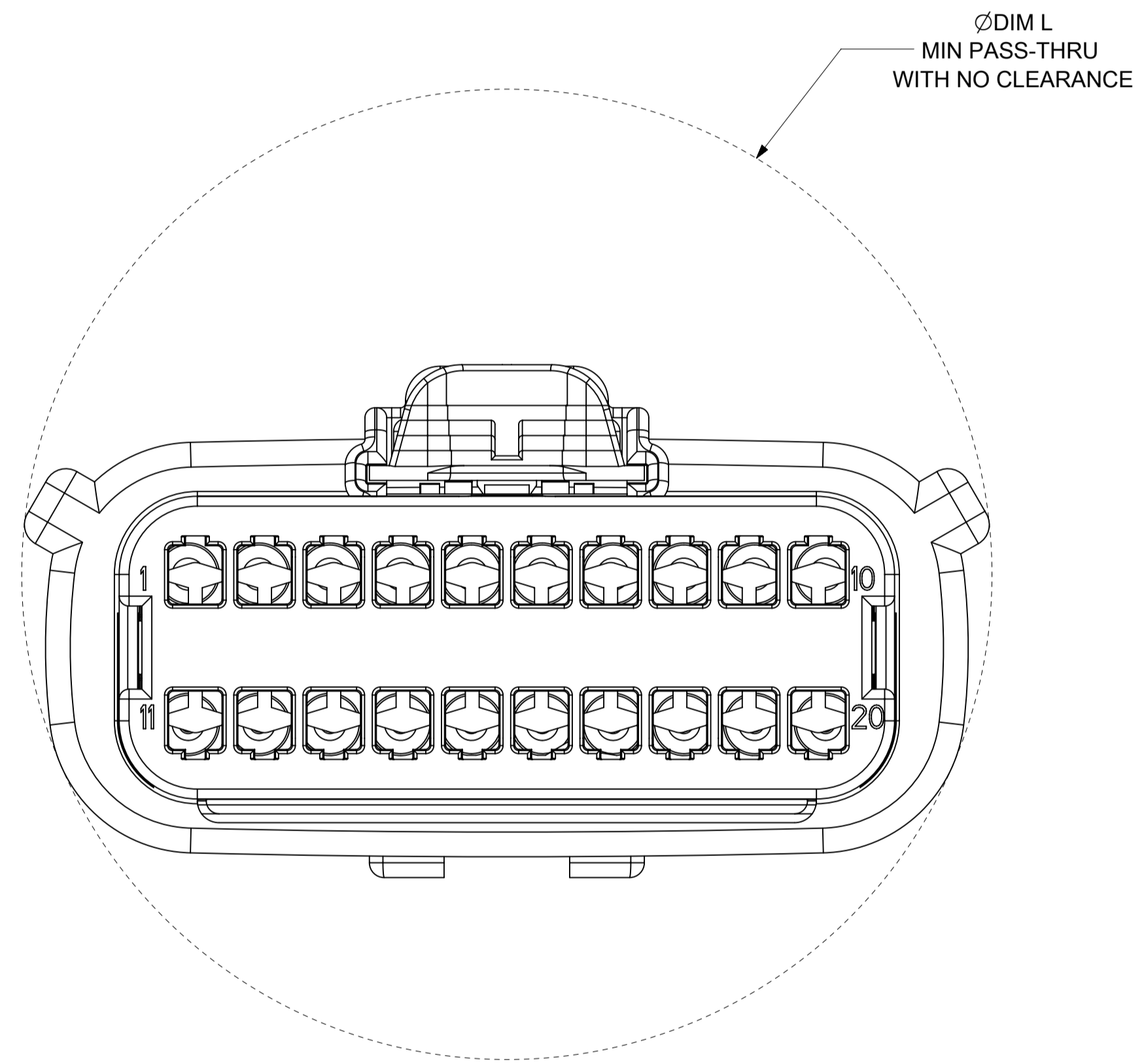
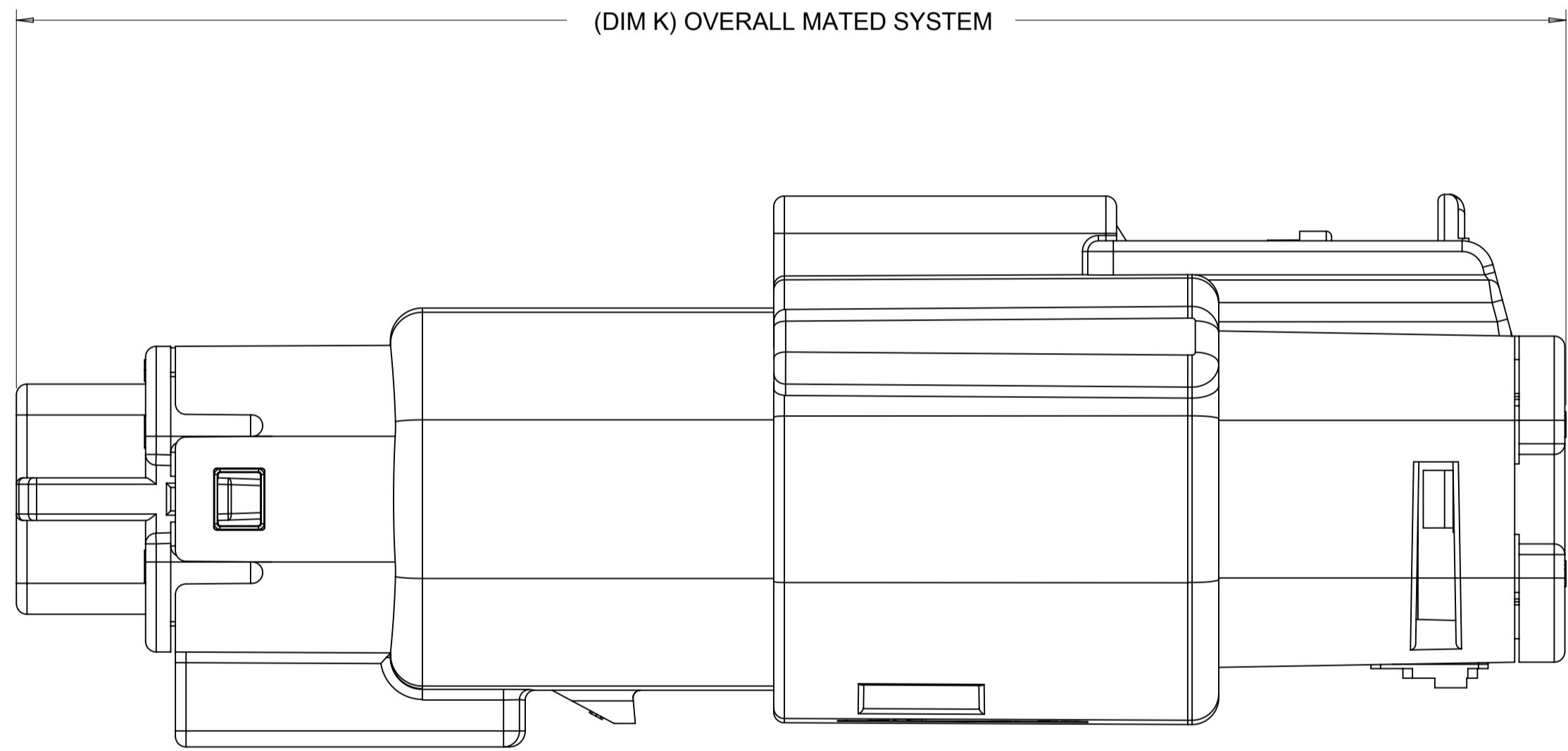
PRIMARY LOCK REINFORCEMENT (PLR) SHOWN IN FINAL-LOCK POSITION

SECTION V-V

| SYMBOLS | | | | THIS DRAWING CONTAINS INFORMATION THAT IS PROPRIETARY TO MOLEX ELECTRONIC TECHNOLOGIES, LLC AND SHOULD NOT BE USED WITHOUT WRITTEN PERMISSION | | | |
|-----------------|--|---------------|--------------|---|--------------|------------|----------|
| ▽ = 0 | mm | SCALE | 3:1 | CURRENT REV DESC: | | | |
| ▽ = 0 | GENERAL TOLERANCES (UNLESS SPECIFIED) | | | EC NO: | 171650 | | |
| ▽ = 0 | ANGULAR TOL ± 1.0° | | | DRWN: | PANJUNATHAC | 2018/01/03 | |
| ▽ = 0 | 4 PLACES | ± | | CHK'D: | MVANSLAMBROU | 2018/02/16 | |
| ▽ = 0 | 3 PLACES | ± | | APPR: | MVANSLAMBROU | 2018/02/16 | |
| ▽ = 0 | 2 PLACES | ± 0.1 | | INITIAL REVISION: | | | |
| ▽ = 0 | 1 PLACE | ± 0.2 | | DRWN: | APROFFITT | 2014/04/28 | |
| ▽ = 0 | 0 PLACES | ± | | APPR: | VKOSHY | 2014/05/14 | |
| ▽ = 0 | DRAFT WHERE APPLICABLE MUST REMAIN WITHIN DIMENSIONS | | | THIRD ANGLE PROJECTION | DRAWING | SERIES | |
| ▽ = 0 | | | | ⊕ | A1-SIZE | 33482 | |
| DOCUMENT STATUS | | P1 | RELEASE DATE | 2018/02/16 | 22:02:26 | | |
| | | | | molex | | | |
| | | | | MX150 BLADE DUAL ROW SEALED ASSEMBLY MAT SEAL | | | |
| | | | | PRODUCT CUSTOMER DRAWING | | | |
| DOCUMENT NUMBER | | SD-33482-0001 | DOC TYPE | PSD | DOC PART | 001 | REVISION |
| | | | | GENERAL MARKET | | E2 | |
| | | | | SHEET NUMBER | | 5 OF 11 | |

SHEET DESCRIPTION
SYSTEM PACKAGING

| CHARTED DIMENSION | | | | |
|-------------------|---------------------|--------------------------|------------|-------|
| CKT | BLADE CONFIGURATION | RECEPTACLE CONFIGURATION | DIMENSIONS | |
| | | | K | L |
| 2X2 | STANDARD | W/O CLIPSLOT | 72.78 | 28.00 |
| | | W/ CLIPSLOT | 72.78 | 28.50 |
| | | LENGTHENED | 77.21 | 28.00 |
| 2X3 | STANDARD | W/O CLIPSLOT | 72.78 | 28.00 |
| | | W/ CLIPSLOT | | 30.50 |
| | LENGTHENED | W/O CLIPSLOT | 74.79 | 28.00 |
| | | W/ CLIPSLOT | | 30.50 |
| 2X4 | STANDARD | W/O CLIPSLOT | 72.78 | 29.50 |
| | | W/ CLIPSLOT | | 31.50 |
| 2X6 | STANDARD | W/O CLIPSLOT | 72.79 | 35.58 |
| | | W/ CLIPSLOT | | |
| 2X8 | STANDARD | W/O CLIPSLOT | 72.67 | 42.25 |
| | | W/ CLIPSLOT | | |
| 2X10 | STANDARD | STANDARD | 72.78 | 49.05 |



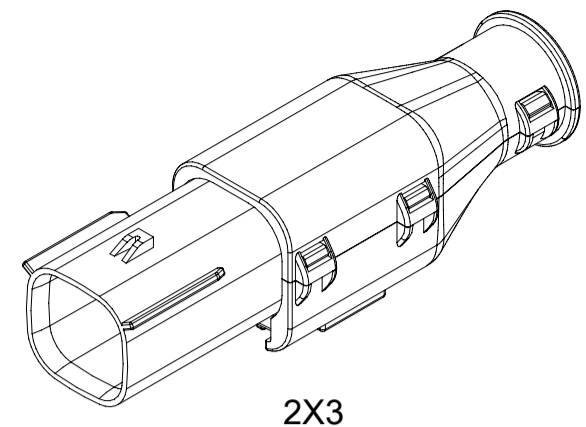
| | | | | | | | | | | |
|---|---|-----------------|---|-------------------|---|--|--|--|--|--|
| SYMBOLS ▽ = 0 ▽ = 0 ▽ = 0 ▽ = 0 ▽ = 0 ▽ = 0 ▽ = 0 ▽ = 0 ▽ = 0 ▽ = 0 ▽ = 0 | THIS DRAWING CONTAINS INFORMATION THAT IS PROPRIETARY TO MOLEX ELECTRONIC TECHNOLOGIES, LLC AND SHOULD NOT BE USED WITHOUT WRITTEN PERMISSION | DIMENSION UNITS | SCALE | CURRENT REV DESC: | | | | | | |
| | mm | 4:1 | EC NO: 171650 DRWN: PMANJUNATHAC 2018/01/03 CHK'D: MVANSLAMBROU 2018/02/16 APPR: MVANSLAMBROU 2018/02/16 | | | | | | | |
| | GENERAL TOLERANCES (UNLESS SPECIFIED) | | | | INITIAL REVISION: | | | DOCUMENT NUMBER SD-33482-0001 | | |
| | ANGULAR TOL ± 1.0° | | | | DRWN: APROFFITT 2014/04/28 APPR: VKOSHY 2014/05/14 | | | DOC TYPE DOC PART REVISION PSD 001 E2 | | |
| | 4 PLACES ± | | | | DRAFT WHERE APPLICABLE | | | MATERIAL NUMBER | | |
| | 3 PLACES ± | | | | THIRD ANGLE PROJECTION | | | CUSTOMER | | |
| | 2 PLACES ± 0.1 | | | | DRAWING | | | SHEET NUMBER | | |
| | 1 PLACE ± 0.2 | | | | A1-SIZE | | | GENERAL MARKET | | |
| | 0 PLACES ± | | | | SERIES | | | 6 OF 11 | | |
| | DRAFT WHERE APPLICABLE MUST REMAIN WITHIN DIMENSIONS | | | | 33482 | | | | | |

SHEET DESCRIPTION
BACKSHELL NOTES

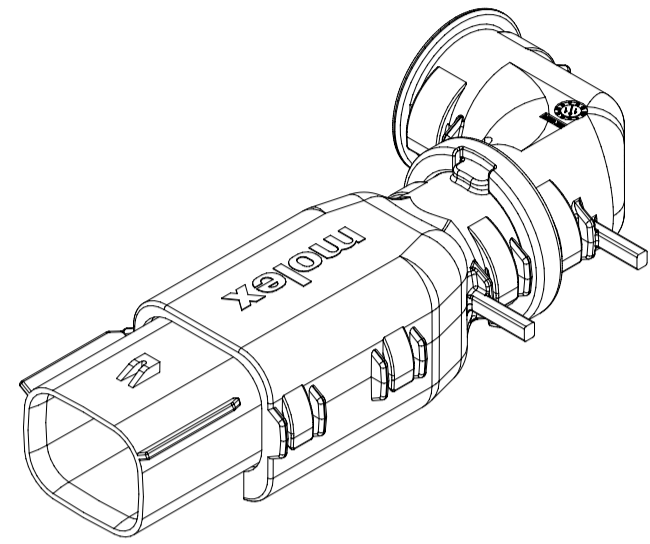
BACKSHELL NOTES: VALID UNLESS OTHERWISE SPECIFIED

1. GENERAL:

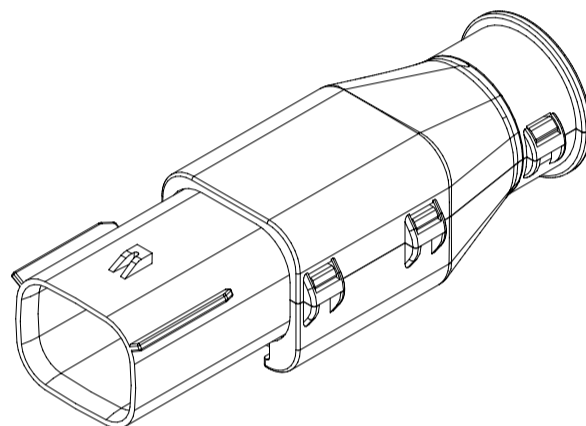
- a. APPLICATION SPECIFICATION SEE: AS-34951-001
 - DESIGNED TO MATE WITH BLADE SEALED ASSEMBLY SPECIFIED IN MOLEX DRAWING SD-33482-0001.
 - SYSTEM TO BE USED WITH WIRE WITHIN DIAMETER RANGE OF 1.2mm TO 2.69mm.
 - COMPONENTS ARE OPTIONAL AND MUST BE PURCHASED SEPERATELY.
 - DESIGN IS OWNED BY SCHLEMMER FOR SCHLEMMER BACKSHELL.
 - DESIGN IS OWNED BY MOLEX FOR MOLEX BACKSHELL.
 - 90° ADAPTOR DESIGN IS OWNED BY MOLEX.
 - FOR ADDITIONAL INFORMATION SEE THE BACKSHELL COMPONENT DRAWING SD-34950-0001.



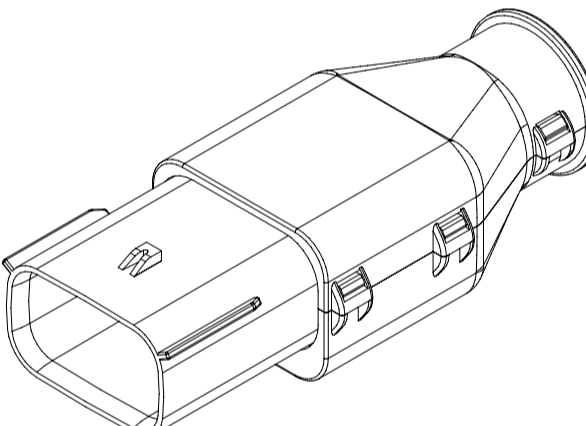
2X3



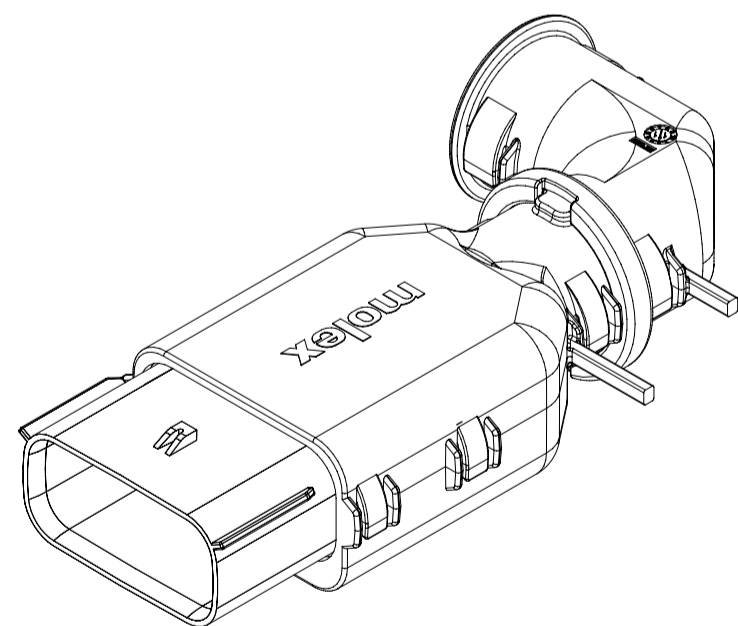
2X4



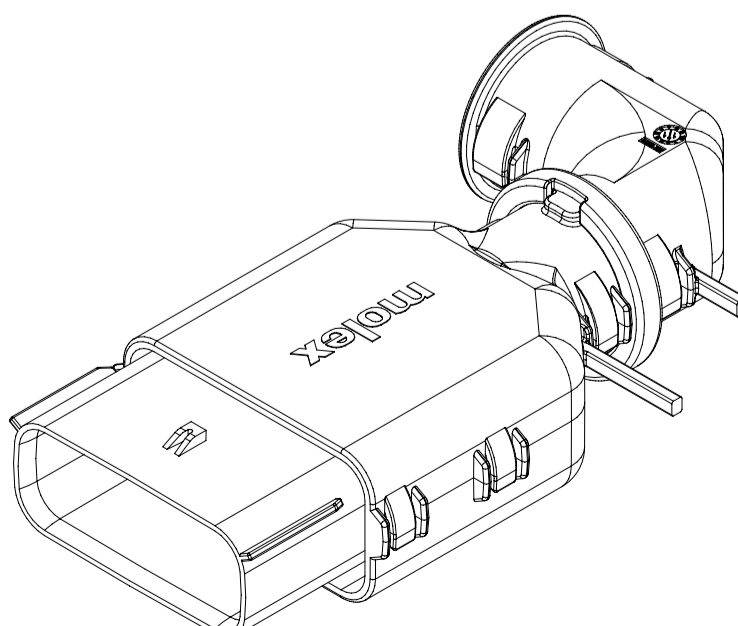
2X4



2X6



2X8



2X10

BACKSHELL CUSTOMER MODEL NUMBER LEGEND

34950-XXXX

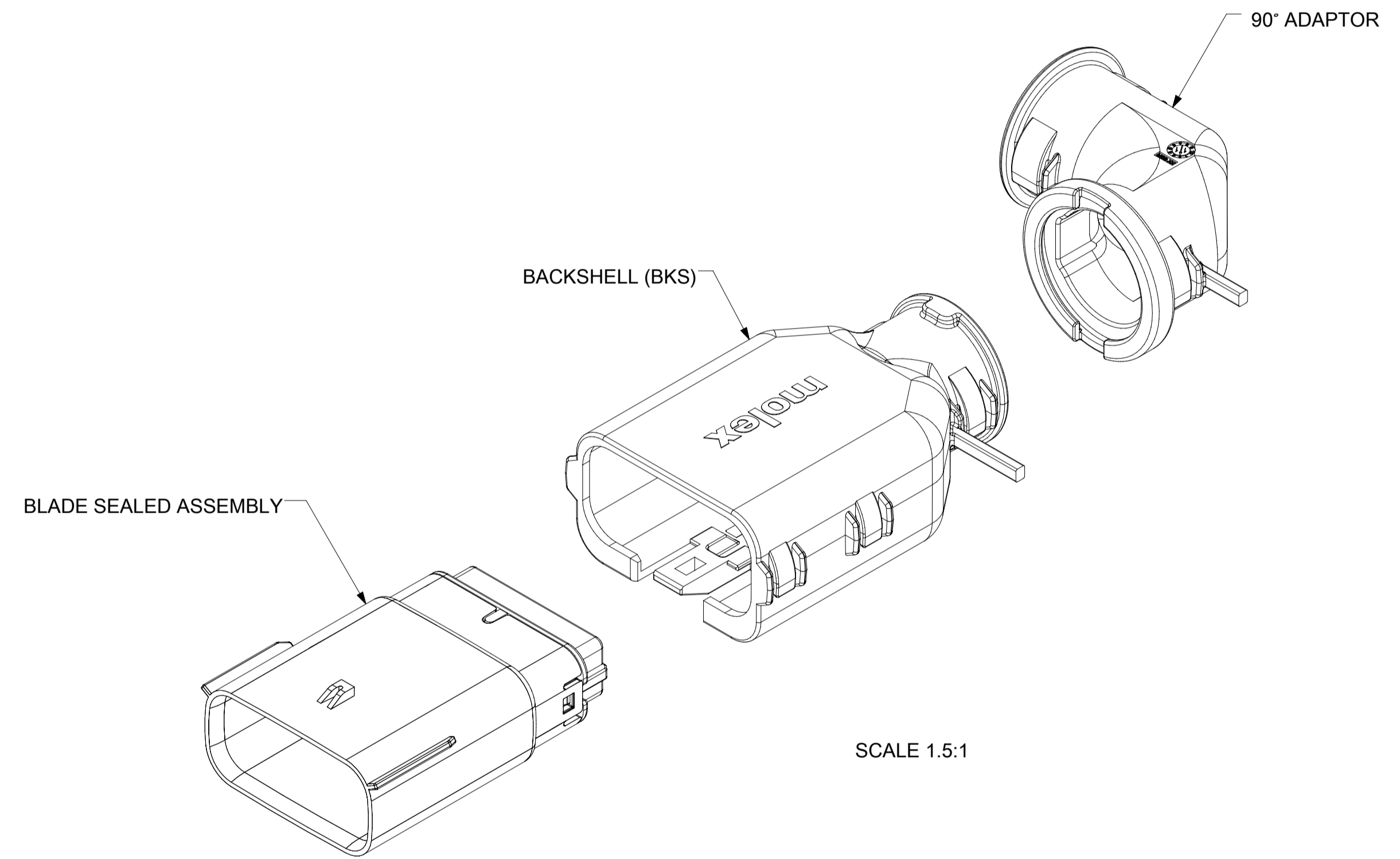
CUSTOMER MODEL COMPONENTS

- 0 - SCHLEMMER BACKSHELL ONLY
- 1 - SCHLEMMER BACKSHELL & MX150 HOUSING KEY A ASSEMBLY
- 2 - SCHLEMMER BACKSHELL & MX150 HOUSING KEY B ASSEMBLY
- 3 - SCHLEMMER BACKSHELL & MX150 HOUSING KEY C ASSEMBLY
- 4 - SCHLEMMER BACKSHELL & MX150 HOUSING KEY D ASSEMBLY
- 5 - MOLEX BACKSHELL ONLY
- 6 - MOLEX BACKSHELL & MX150 HOUSING KEY A ASSEMBLY
- 7 - MOLEX BACKSHELL & MX150 HOUSING KEY B ASSEMBLY
- 8 - MOLEX BACKSHELL & MX150 HOUSING KEY C ASSEMBLY
- 9 - MOLEX BACKSHELL & MX150 HOUSING KEY D ASSEMBLY

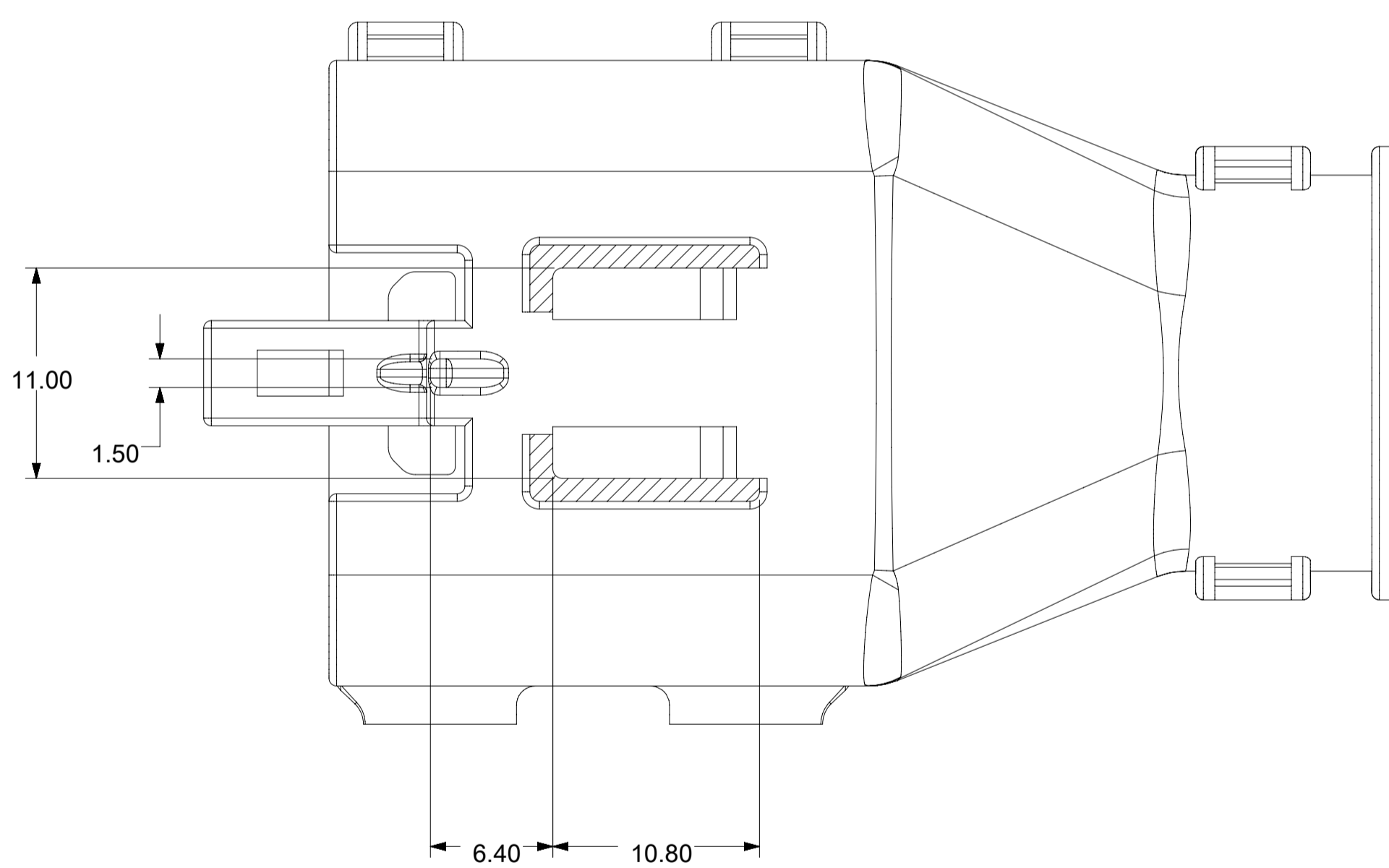
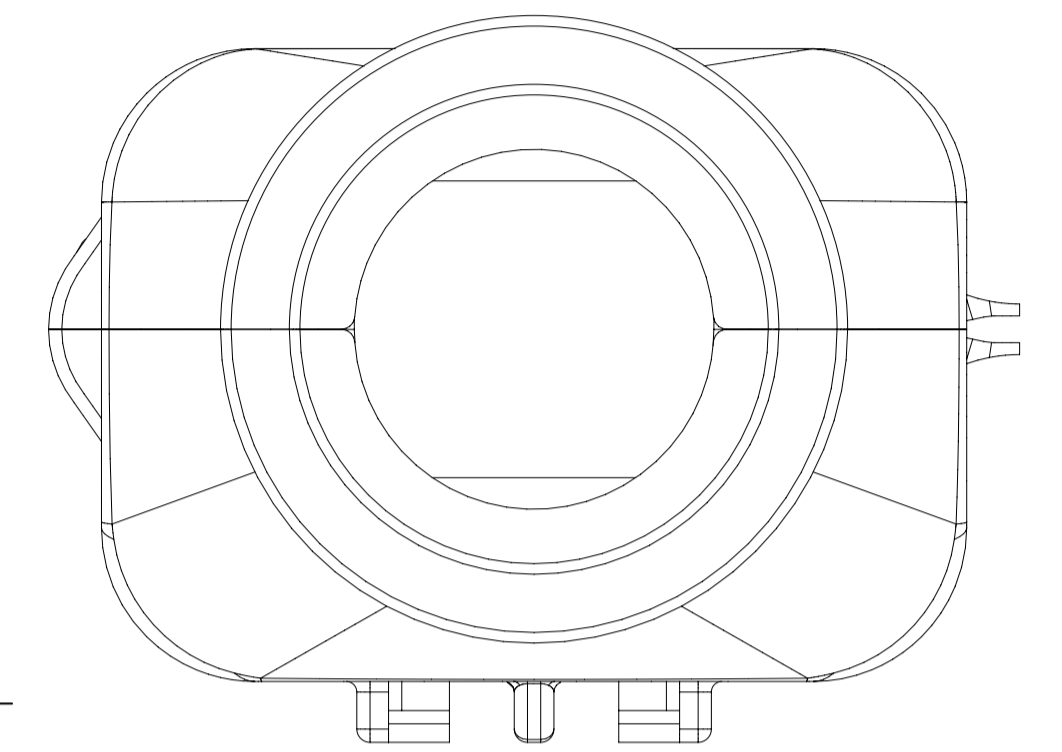
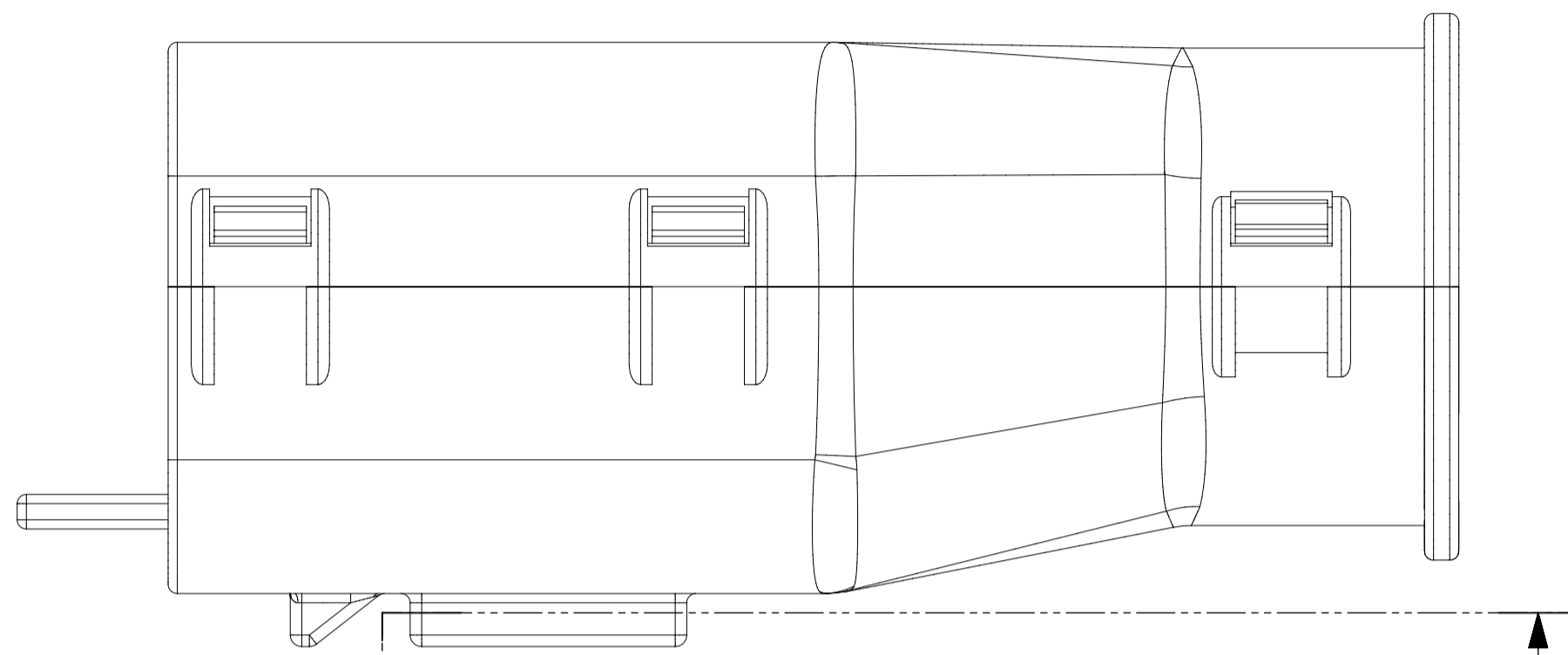
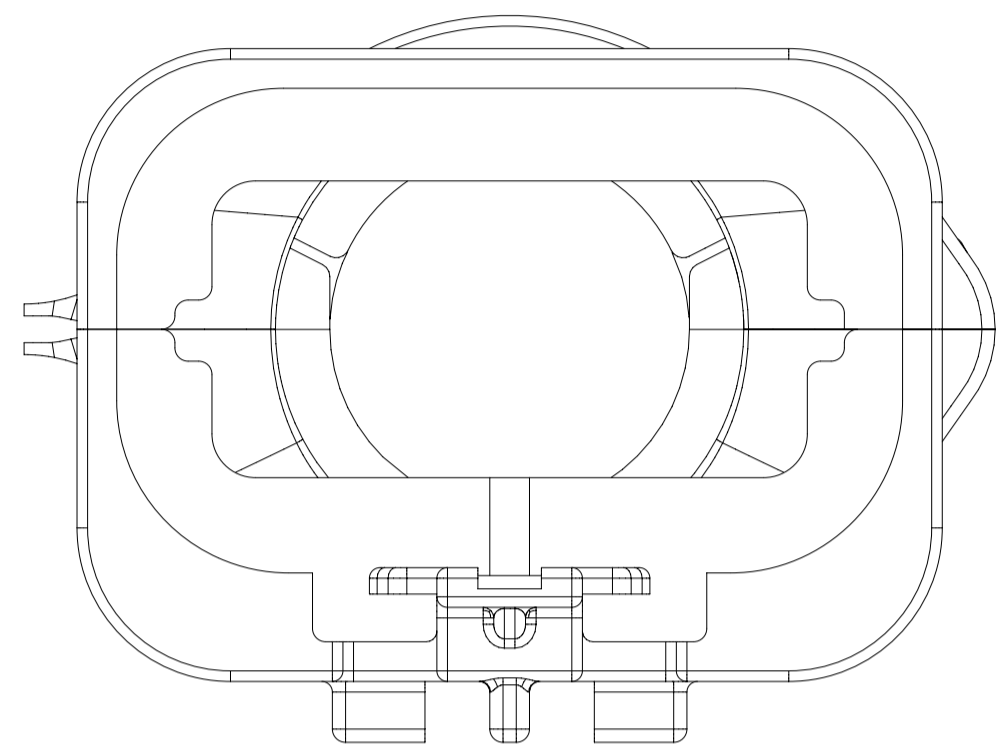
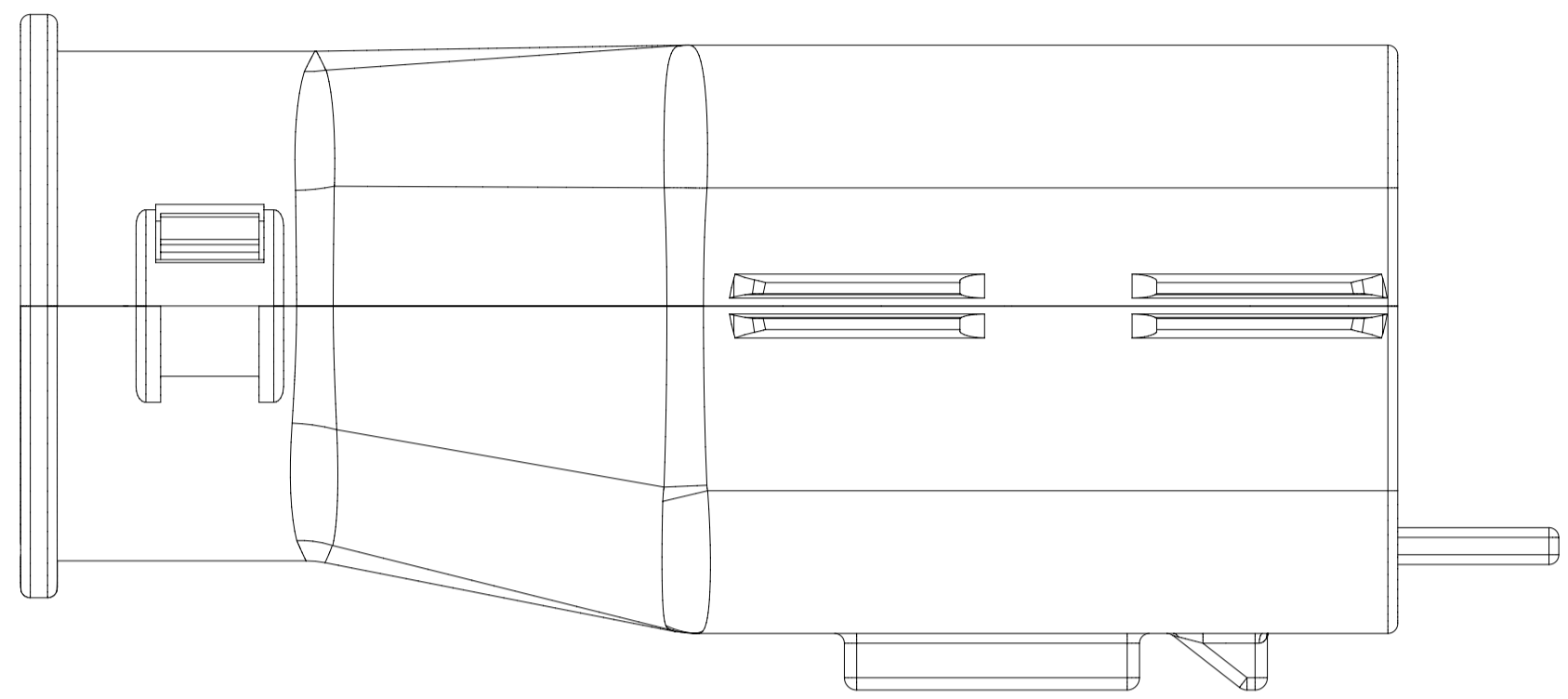
BACKSHELL FEATURES

- 1 - WITH RIBS
- 2 - WITHOUT RIBS
- 3 - 90° ADAPTOR

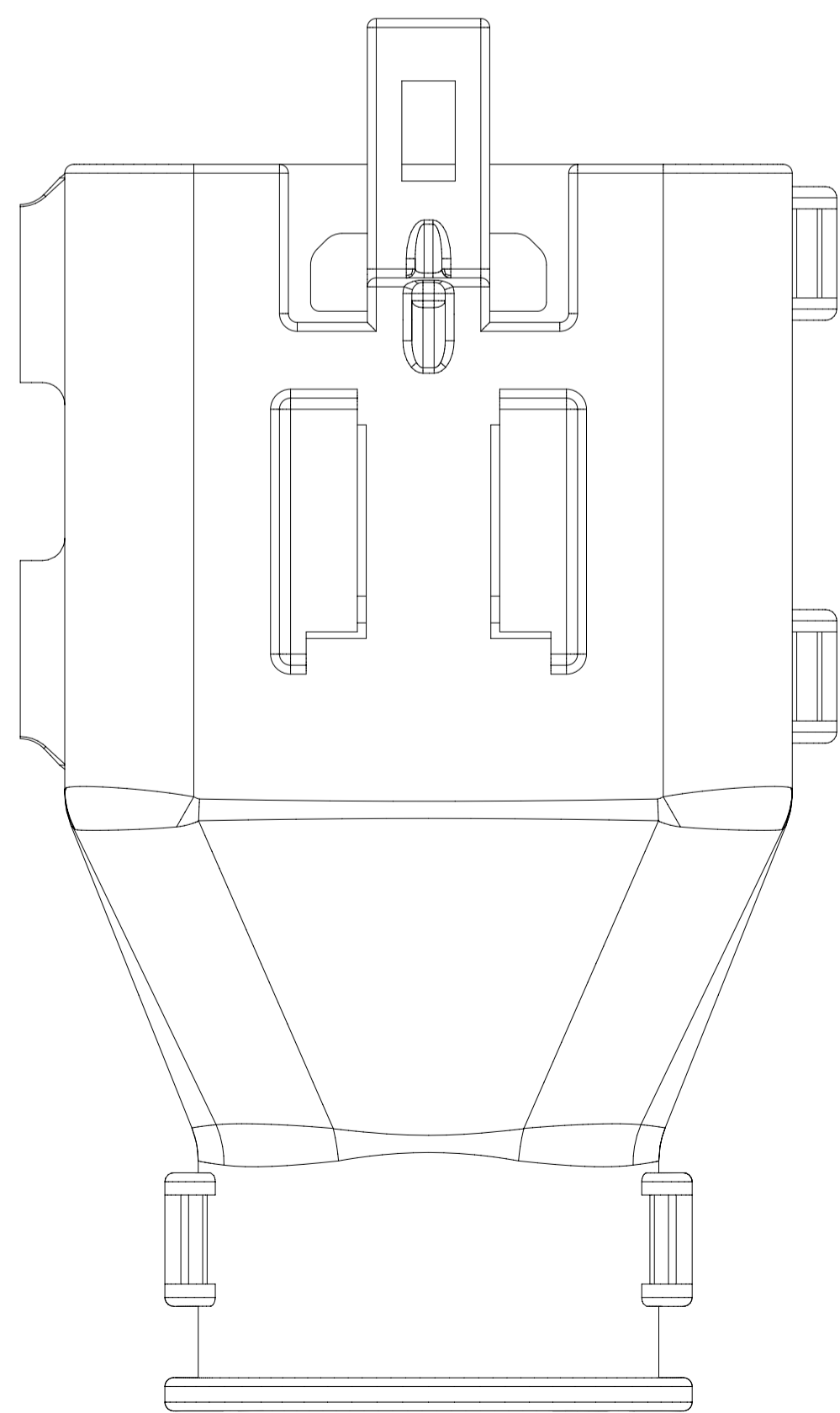
MX150 CIRCUIT SIZE 04, 06, 08, 12, 16, 20



| | | | | | | | | |
|---------|---|-------|--|--------------------------------|--------------------------|----------------|--------------|---------------|
| SYMBOLS | THIS DRAWING CONTAINS INFORMATION THAT IS PROPRIETARY TO MOLEX ELECTRONIC TECHNOLOGIES, LLC AND SHOULD NOT BE USED WITHOUT WRITTEN PERMISSION | | CURRENT REV DESC: | | | | | |
| | DIMENSION UNITS | SCALE | | | | | | EC NO: 171650 |
| ▽ = 0 | mm | 1.5:1 | DRWN: APROFFITT 2014/04/28 | CHK'D: MVANSLAMBROU 2018/02/16 | SD-33482-0001 | PSD | 001 | E2 |
| ▽ = 0 | GENERAL TOLERANCES (UNLESS SPECIFIED) | | APPR: MVANSLAMBROU 2018/02/16 | INITIAL REVISION: | | | | |
| ▽ = 0 | ANGULAR TOL ± 1.0° | | DRWN: APROFFITT 2014/04/28 | APPR: VKOSHY 2014/05/14 | PRODUCT CUSTOMER DRAWING | | | |
| ▽ = 0 | 4 PLACES | ± | DRAFT WHERE APPLICABLE MUST REMAIN WITHIN DIMENSIONS | | MATERIAL NUMBER | CUSTOMER | SHEET NUMBER | |
| ▽ = 0 | 3 PLACES | ± | THIRD ANGLE PROJECTION | DRAWING | 33482 | GENERAL MARKET | 7 OF 11 | |
| ▽ = 0 | 2 PLACES | ± 0.1 | A1-SIZE | SERIES | | | | |
| ▽ = 0 | 1 PLACE | ± 0.2 | | | | | | |
| ▽ = 0 | 0 PLACES | ± | | | | | | |

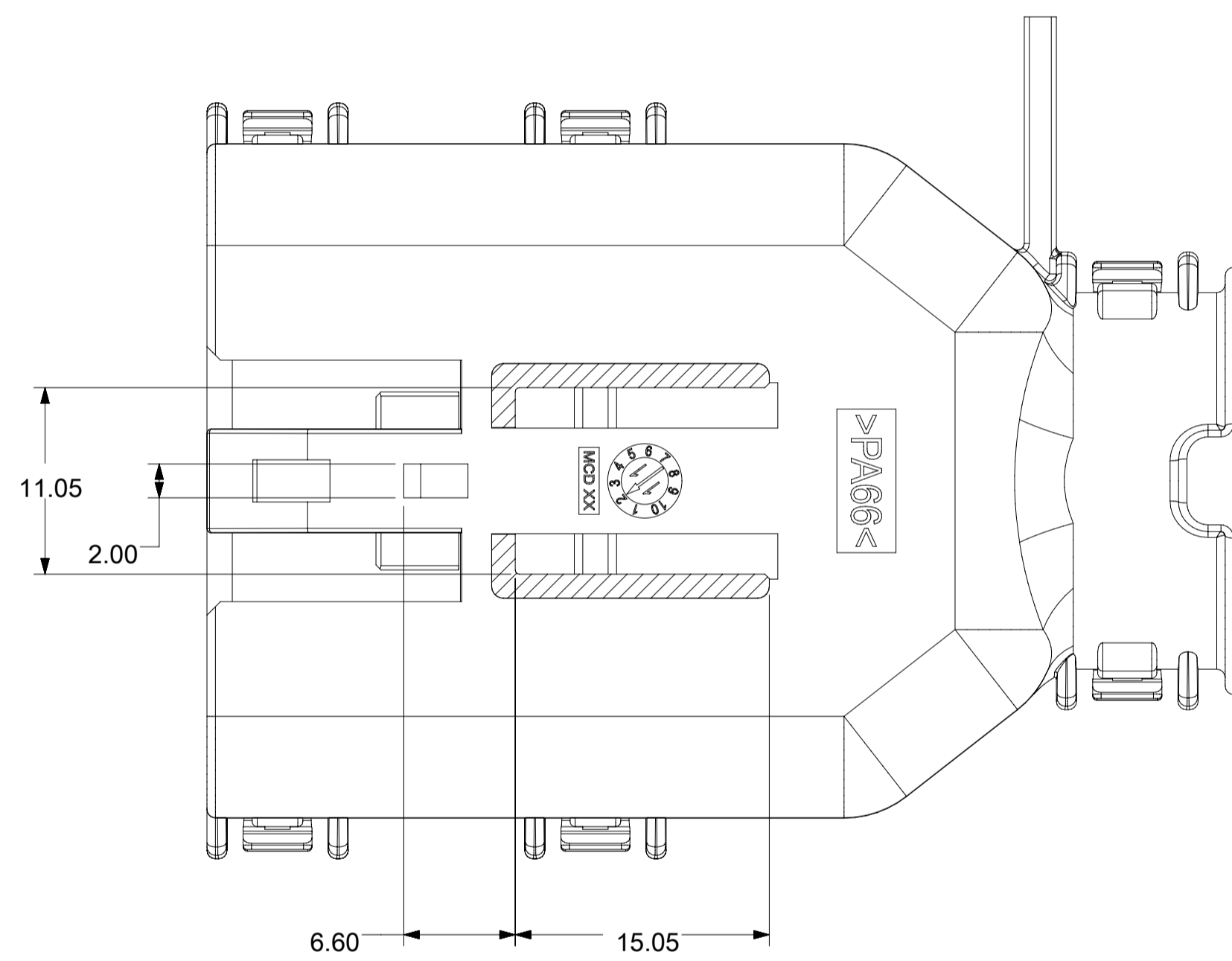
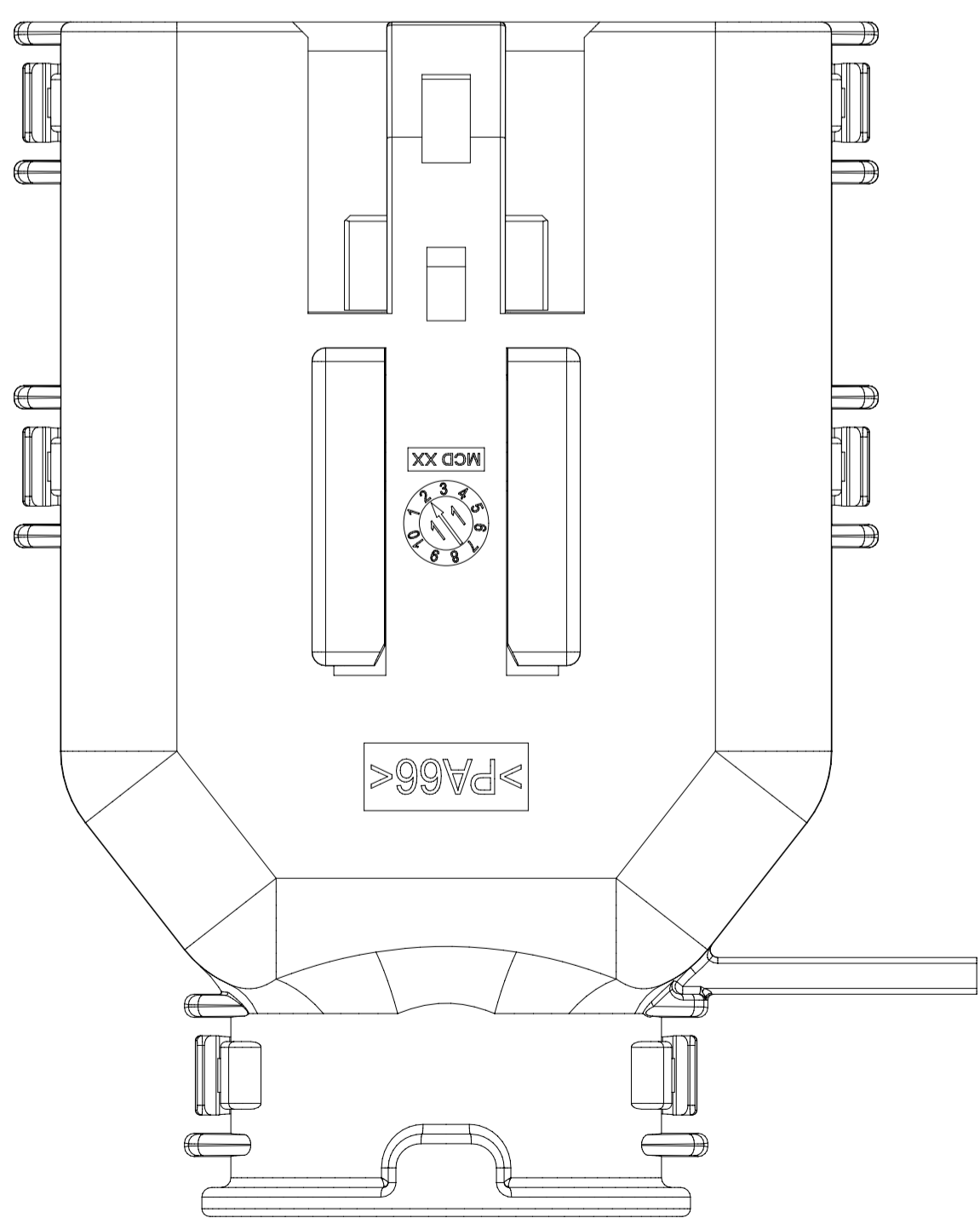
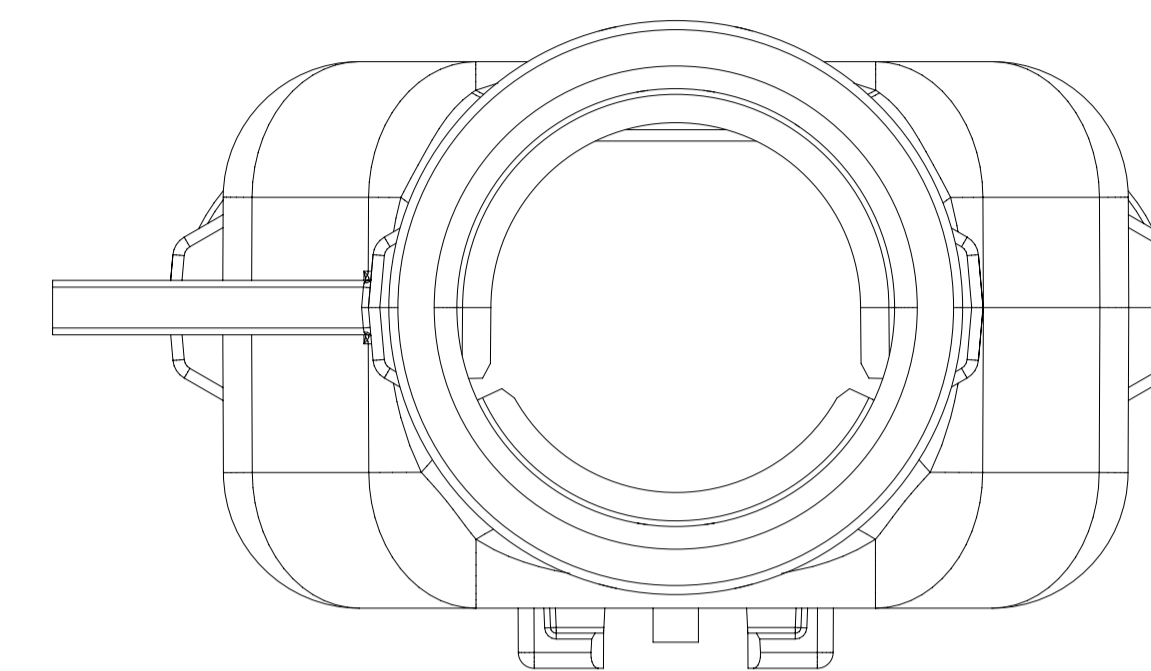
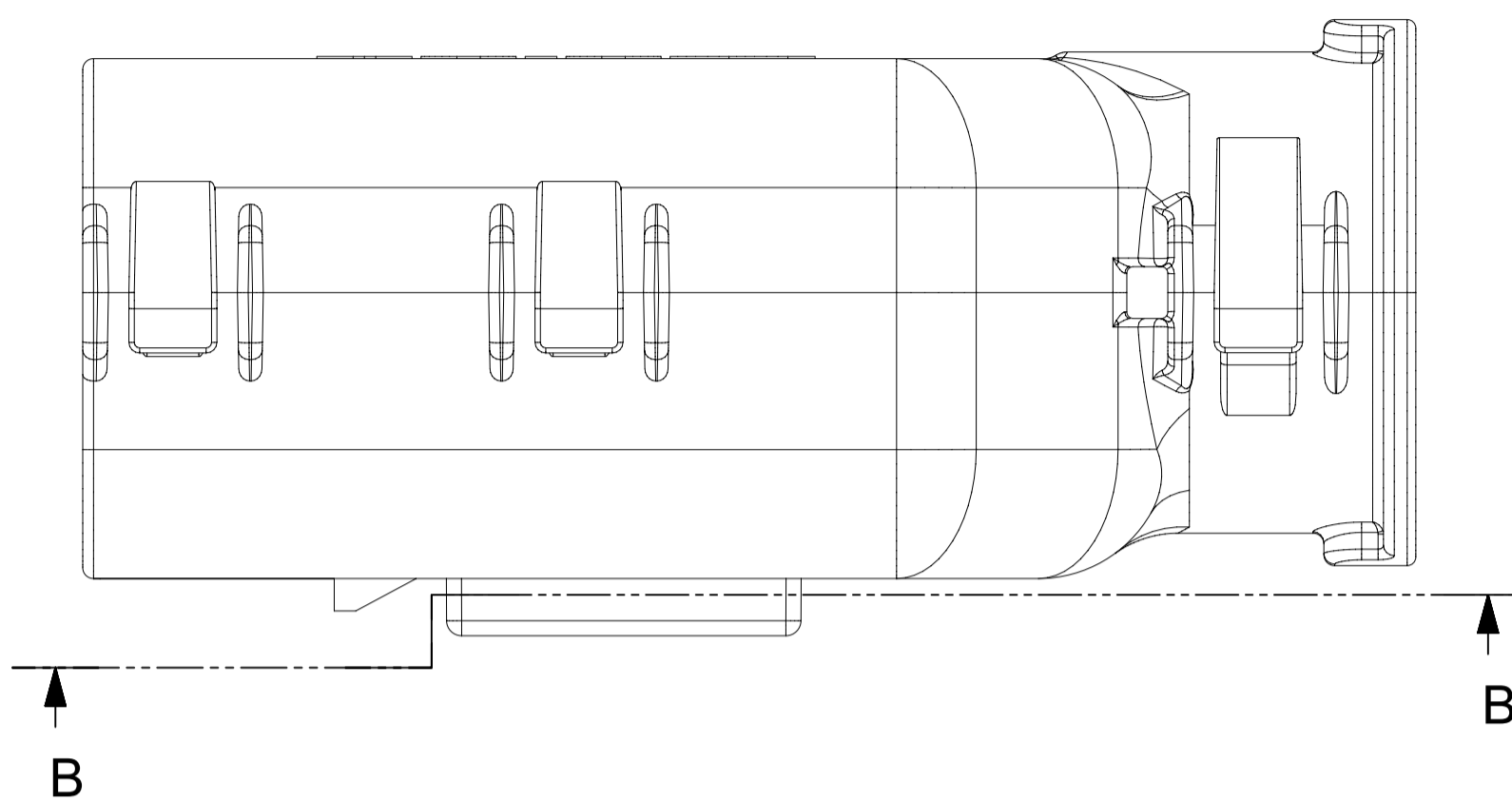
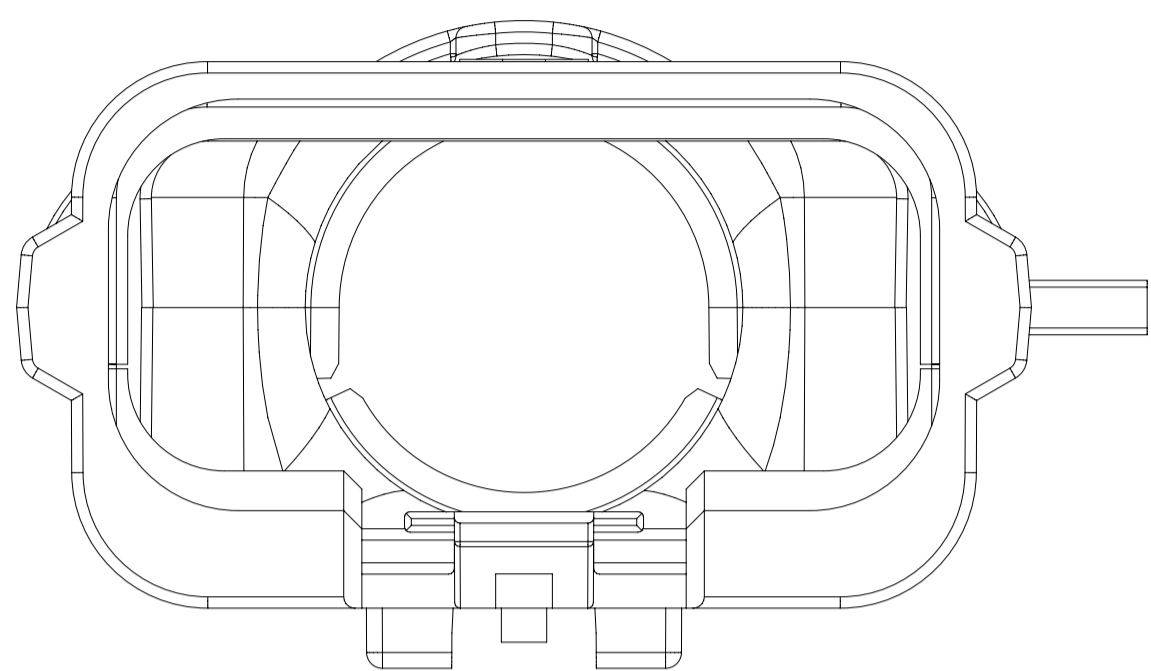
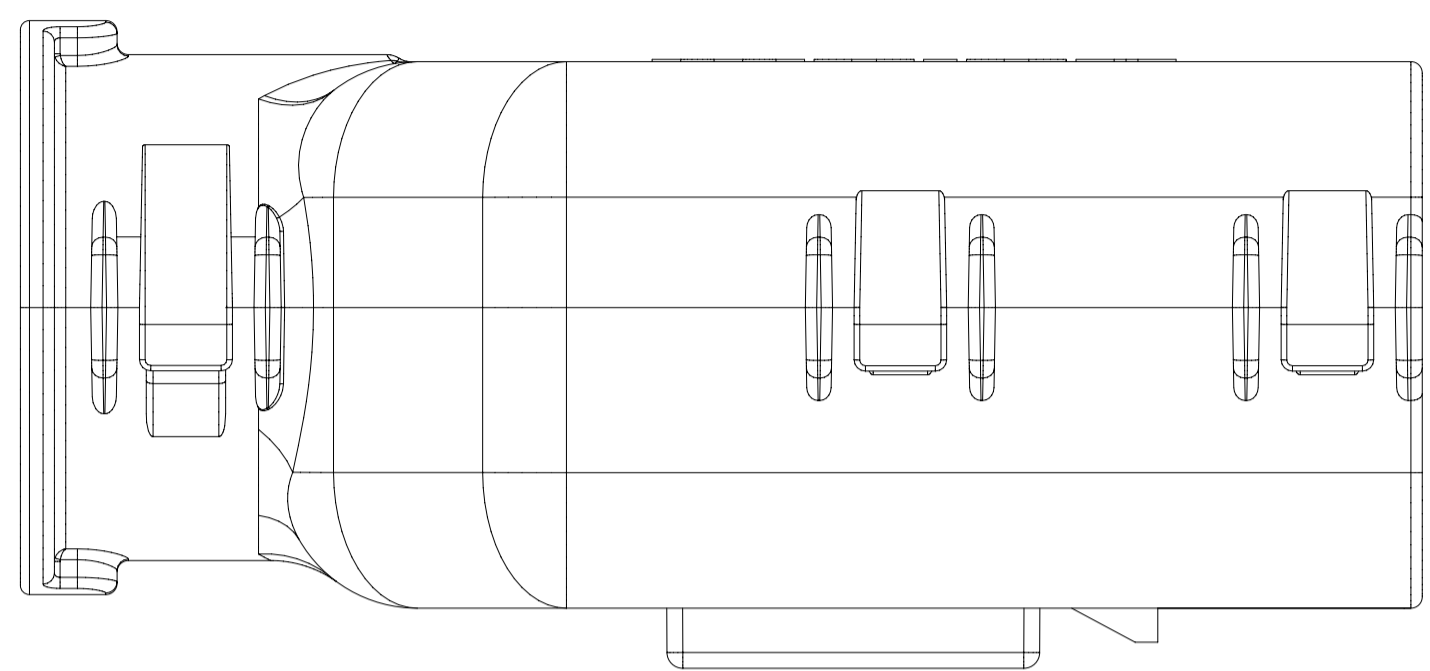


SECTION A-A



| | | | | | |
|--|---|---|---|---------------------------------|------------------------------|
| SYMBOLS = 0 = 0 = 0 = 0 = 0 = 0 = 0 = 0 = 0 = 0 = 0 = 0 | THIS DRAWING CONTAINS INFORMATION THAT IS PROPRIETARY TO MOLEX ELECTRONIC TECHNOLOGIES, LLC AND SHOULD NOT BE USED WITHOUT WRITTEN PERMISSION DIMENSION UNITS: mm SCALE: 3.5:1 | CURRENT REV DESC: EC NO: 171650 DRWN: PMANJUNATHAC 2018/01/03 CHK'D: MVANSLAMBROU 2018/02/16 APPR: MVANSLAMBROU 2018/02/16 INITIAL REVISION: DRWN: APROFFITT 2014/04/28 APPR: VKOSHY 2014/05/14 | | | |
| | GENERAL TOLERANCES (UNLESS SPECIFIED) ANGULAR TOL $\pm 1.0^\circ$ 4 PLACES \pm 3 PLACES \pm 2 PLACES ± 0.1 1 PLACE ± 0.2 0 PLACES \pm DRAFT WHERE APPLICABLE MUST REMAIN WITHIN DIMENSIONS | | PRODUCT CUSTOMER DRAWING DOCUMENT NUMBER: SD-33482-0001 DOC TYPE: PSD DOC PART: 001 REVISION: E2 | | |
| THIRD ANGLE PROJECTION | DRAWING: A1-SIZE | SERIES: 33482 | MATERIAL NUMBER: | CUSTOMER: GENERAL MARKET | SHEET NUMBER: 8 OF 11 |

SHEET DESCRIPTION
MOLEX BACKSHELL

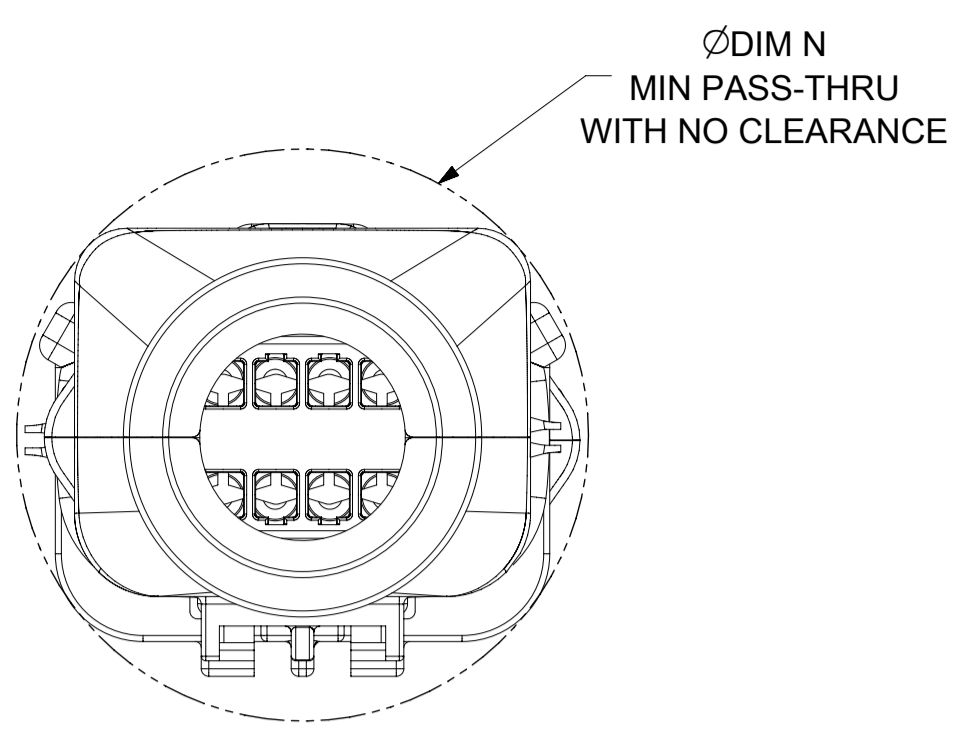
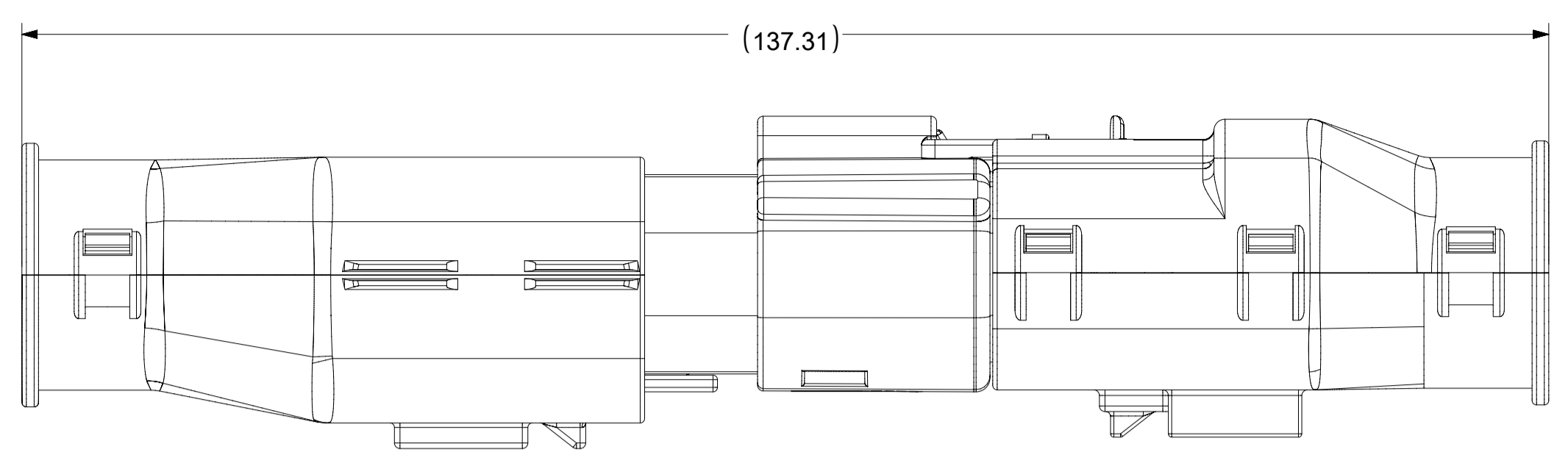


SECTION B-B

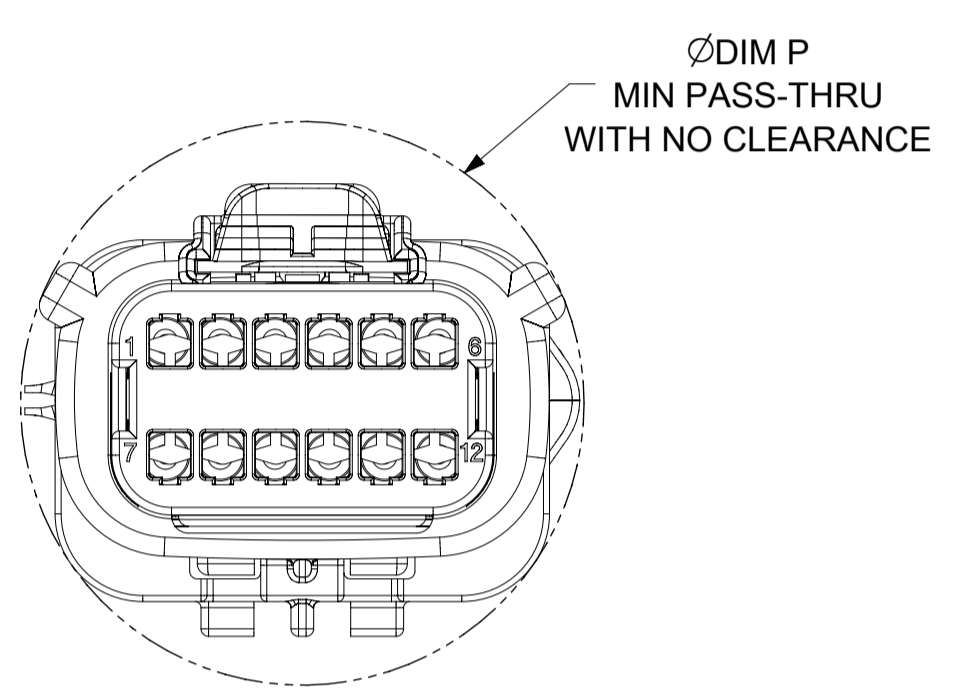
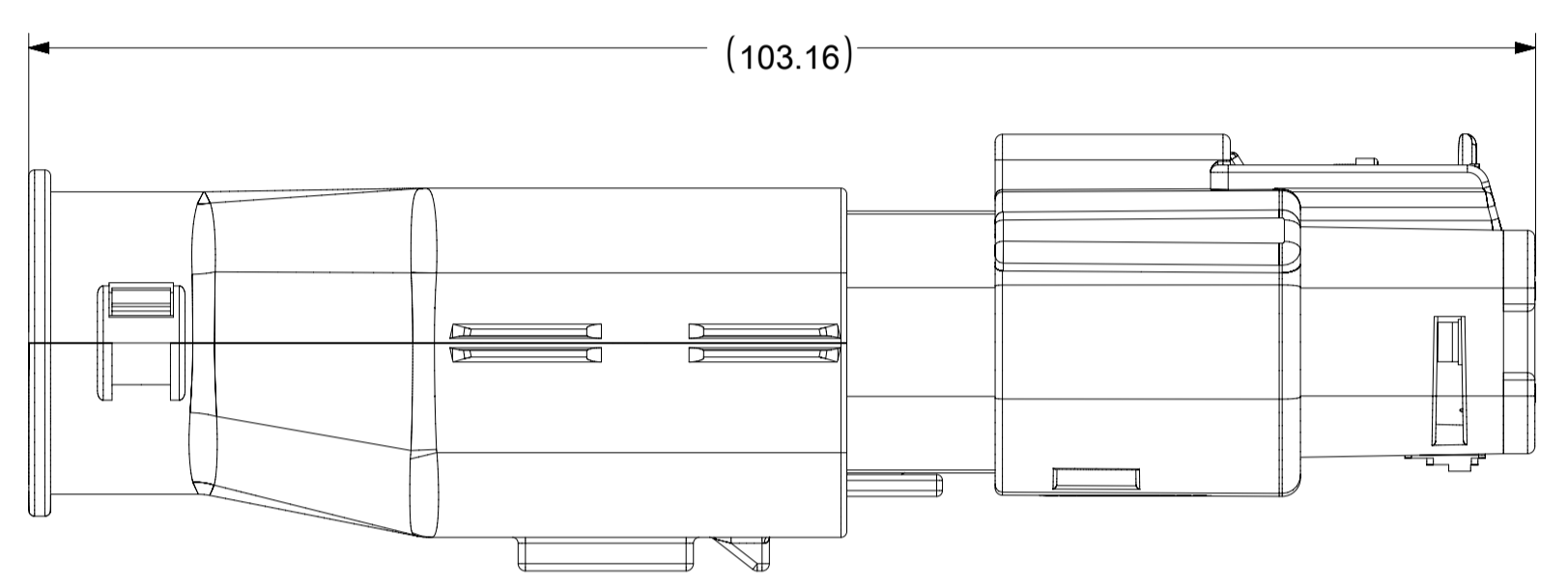
| SYMBOLS | THIS DRAWING CONTAINS INFORMATION THAT IS PROPRIETARY TO MOLEX ELECTRONIC TECHNOLOGIES, LLC AND SHOULD NOT BE USED WITHOUT WRITTEN PERMISSION | | CURRENT REV DESC: | | molex | | | |
|---------|---|------------|--------------------------------|--|--|----------------|----------------|-----------------|
| ∇ = 0 | DIMENSION UNITS | SCALE | | | MX150 BLADE DUAL ROW SEALED ASSEMBLY MAT SEAL | | | |
| ∇ = 0 | mm | 3:1 | | | | | | |
| ∇ = 0 | GENERAL TOLERANCES (UNLESS SPECIFIED) | | EC NO: 171650 | | PRODUCT CUSTOMER DRAWING | | | |
| ∇ = 0 | ANGULAR TOL ± 1.0° | | DRWN: PMANJUNATHAC 2018/01/03 | | DOCUMENT NUMBER | DOC TYPE | DOC PART | REVISION |
| ∇ = 0 | 4 PLACES ± | | CHK'D: MVANSLAMBROU 2018/02/16 | | SD-33482-0001 | PSD | 001 | E2 |
| ∇ = 0 | 3 PLACES ± | | APPR: MVANSLAMBROU 2018/02/16 | | INITIAL REVISION: | | | |
| ∇ = 0 | 2 PLACES ± 0.1 | | DRWN: APROFFITT 2014/04/28 | | DRWN: APROFFITT 2014/05/14 | | | |
| ∇ = 0 | 1 PLACE ± 0.2 | | APPR: VKOSHY | | SERIES | | | |
| ☒ = 0 | 0 PLACES ± | | DRAFT WHERE APPLICABLE | | THIRD ANGLE PROJECTION | DRAWING | SERIES | MATERIAL NUMBER |
| ■ = 0 | MUST REMAIN WITHIN DIMENSIONS | | THIRD ANGLE PROJECTION | | ⊕ | A1-SIZE | 33482 | CUSTOMER |
| ∇ = 0 | | | | | | | | SHEET NUMBER |
| | | | | | GENERAL MARKET | | 9 OF 11 | |

SHEET DESCRIPTION
SCHLEMMER BACKSHELL CONFIGURATIONS

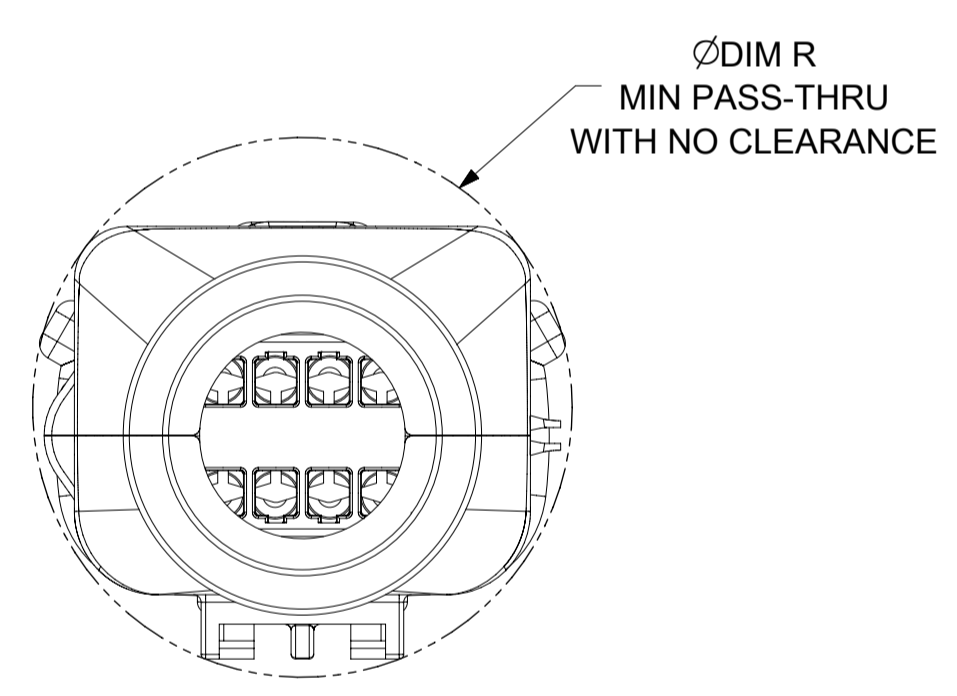
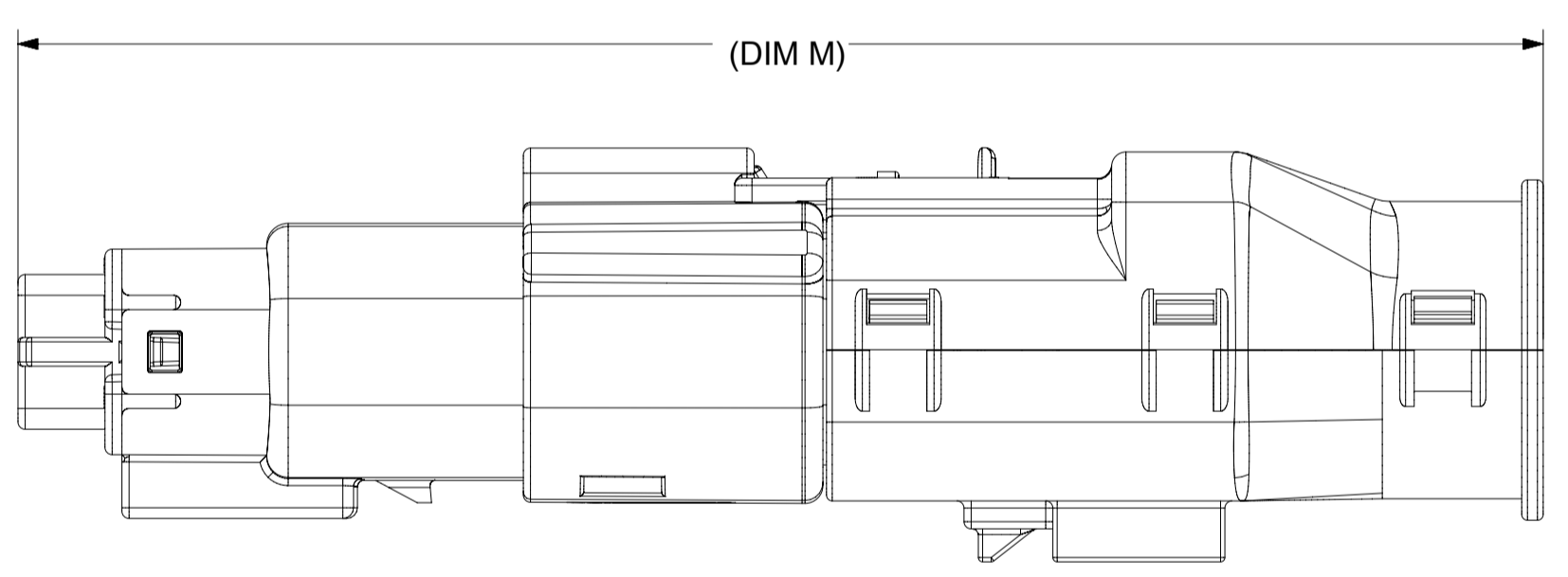
| CKT | BLADE CONFIGURATION | RECEPTACLE CONFIGURATION | DIMENSIONS | | | | |
|-----|---------------------|--------------------------|------------|-------|-------|-------|-------|
| | | | M | N | P | R | T |
| 2X3 | STANDARD | STANDARD | 106.83 | 32.75 | 31.75 | 29.00 | 29.50 |
| | LENGTHENED | | 108.71 | | | | |
| 2X4 | STANDARD | STANDARD | 106.83 | 33.50 | 31.90 | 30.70 | 30.70 |
| 2X6 | STANDARD | STANDARD | 106.83 | 37.84 | 37.27 | 35.83 | 36.83 |



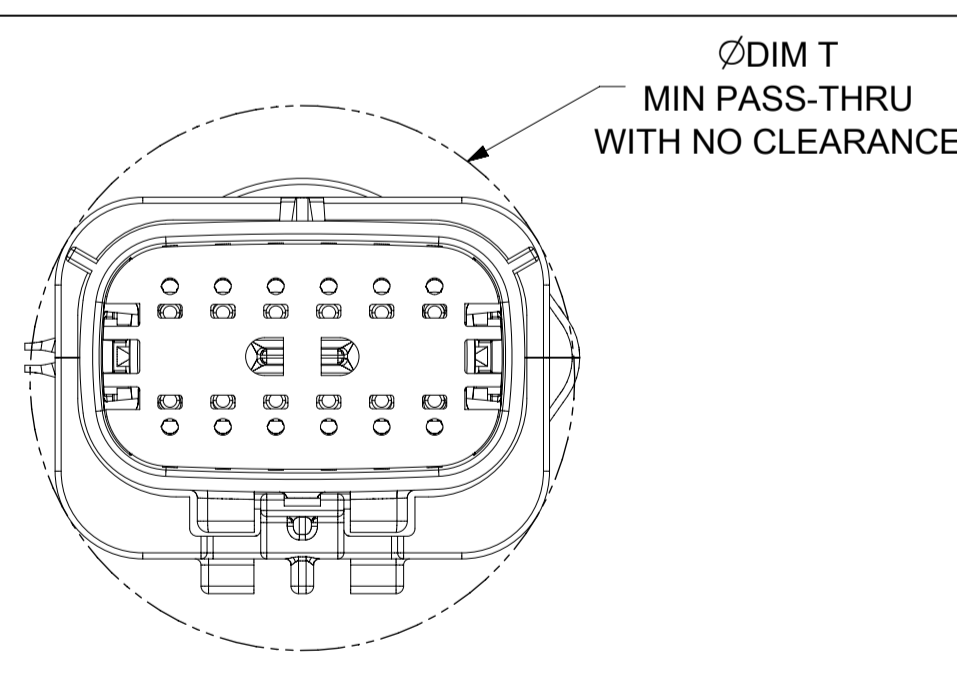
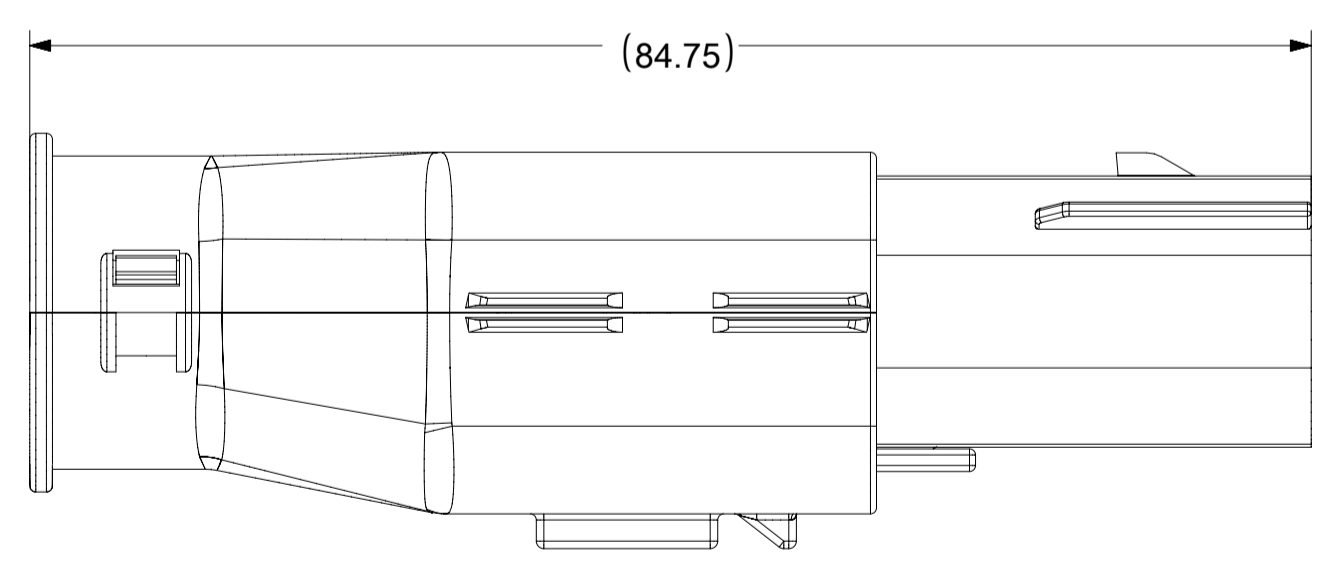
OVERALL MATED SYSTEM WITH BLADE AND RECEPTACLE BACKSHELL



OVERALL MATED SYSTEM WITH BLADE BACKSHELL



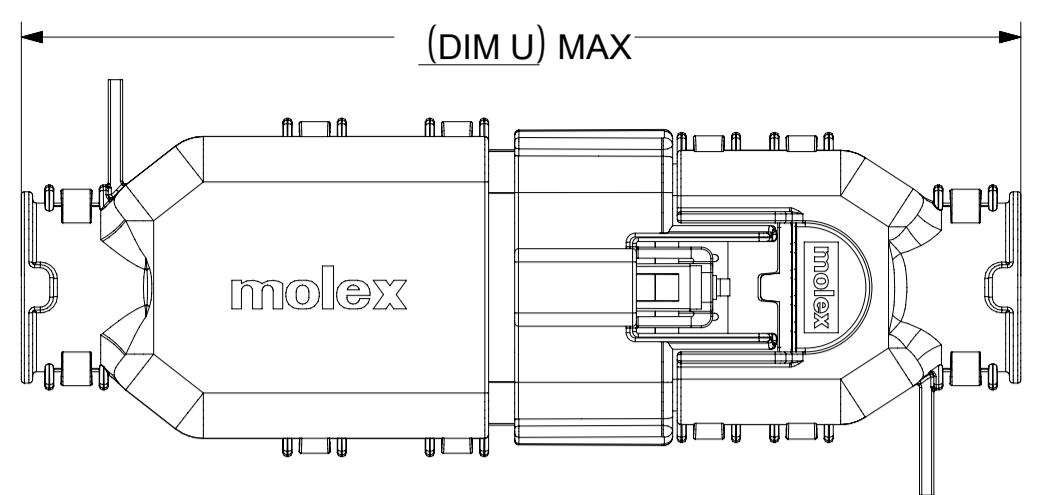
OVERALL MATED SYSTEM WITH RECEPTACLE BACKSHELL



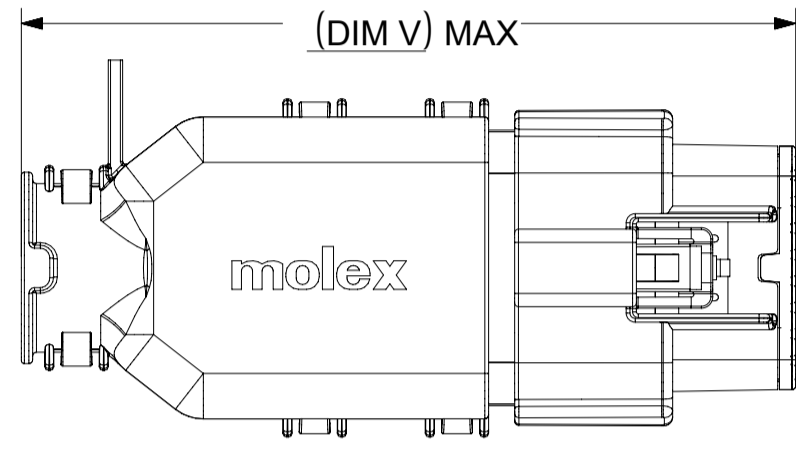
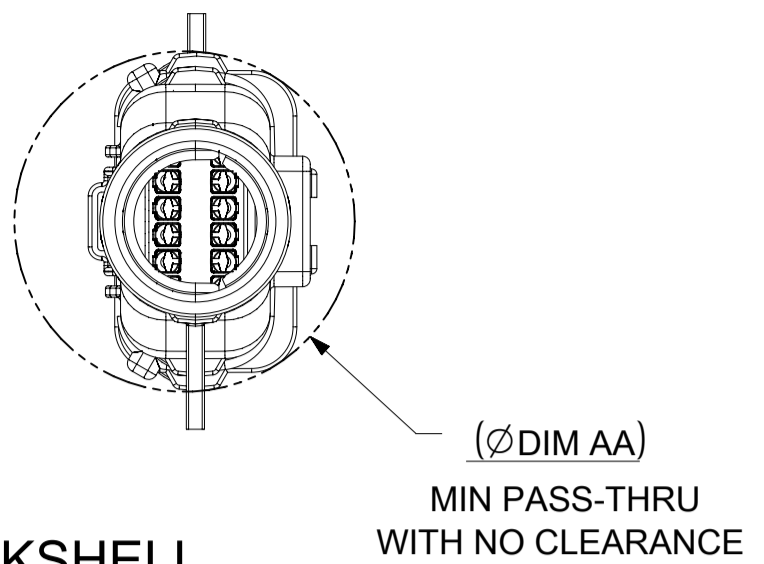
BLADE SEALED ASSEMBLY WITH BLADE BACKSHELL

| | | | | | | | | |
|--|---|--|---------------------------------------|---------------------------------|---|----------------------------|--|--|
| SYMBOLS = 0 = 0 = 0 = 0 = 0 = 0 = 0 = 0 | THIS DRAWING CONTAINS INFORMATION THAT IS PROPRIETARY TO MOLEX ELECTRONIC TECHNOLOGIES, LLC AND SHOULD NOT BE USED WITHOUT WRITTEN PERMISSION | | SCALE 2:1 | | CURRENT REV DESC: | | MX150 BLADE DUAL ROW SEALED ASSEMBLY MAT SEAL | |
| | DIMENSION UNITS mm | | GENERAL TOLERANCES (UNLESS SPECIFIED) | | EC NO: 171650 DRWN: PMANJUNATHAC 2018/01/03 CHK'D: MVANSLAMBROU 2018/02/16 APPR: MVANSLAMBROU 2018/02/16 | | | |
| | ANGULAR TOL ± 1.0° | | 4 PLACES ± | | INITIAL REVISION: DRWN: APROFFITT 2014/04/28 APPR: VKOSHY 2014/05/14 | | DOCUMENT NUMBER SD-33482-0001 | |
| | 3 PLACES ± | | 2 PLACES ± 0.1 | | DRAWING A1-SIZE | | DOC TYPE DOC PART REVISION PSD 001 E2 | |
| 2 PLACES ± 0.2 | | 1 PLACE ± 0.2 | | SERIES 33482 | | CUSTOMER GENERAL MARKET | | |
| 0 PLACES ± | | DRAFT WHERE APPLICABLE MUST REMAIN WITHIN DIMENSIONS | | SHEET NUMBER 10 OF 11 | | | | |

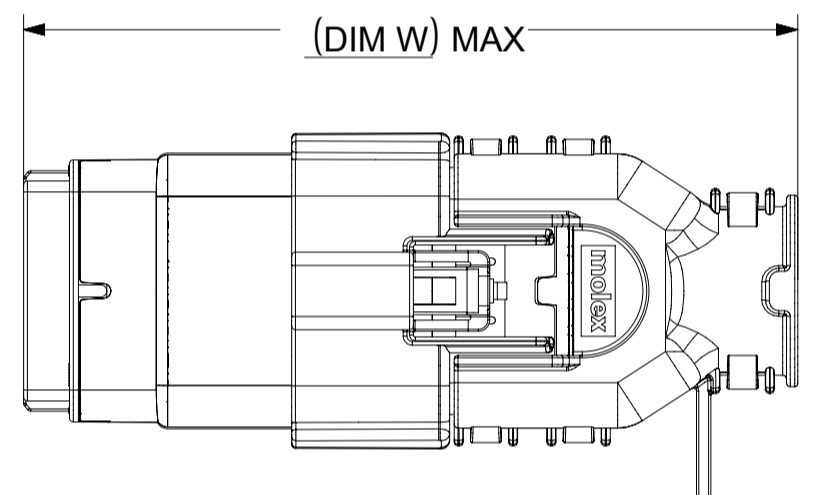
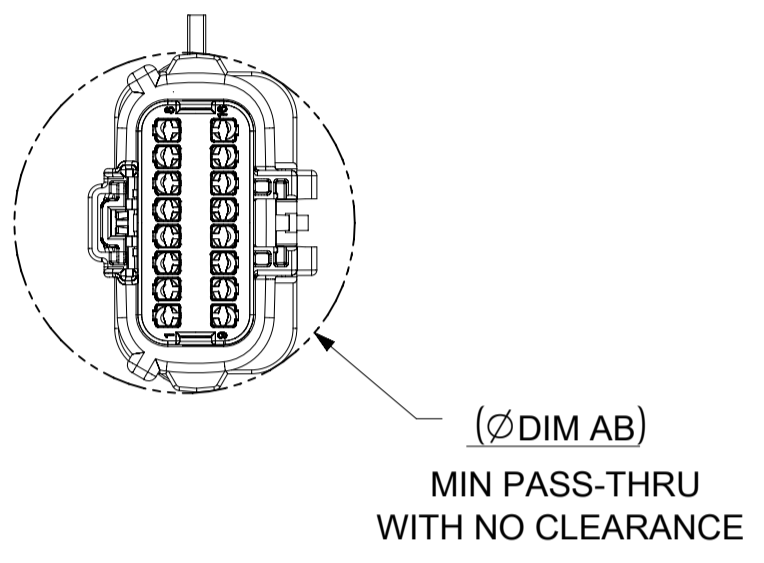
SHEET DESCRIPTION
MOLEX BACKSHELL CONFIGURATIONS



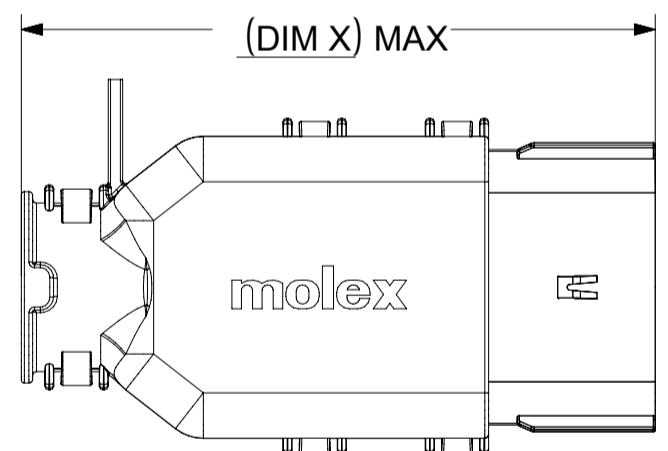
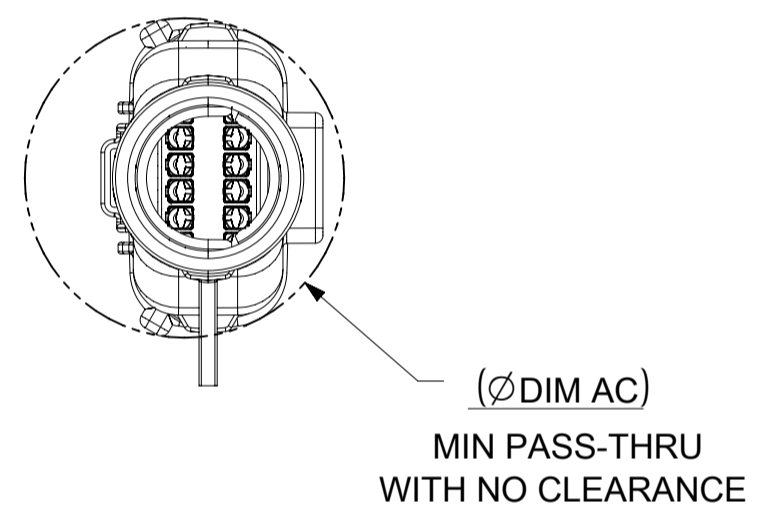
OVERALL MATED SYSTEM WITH BLADE AND RECEPTACLE BACKSHELL



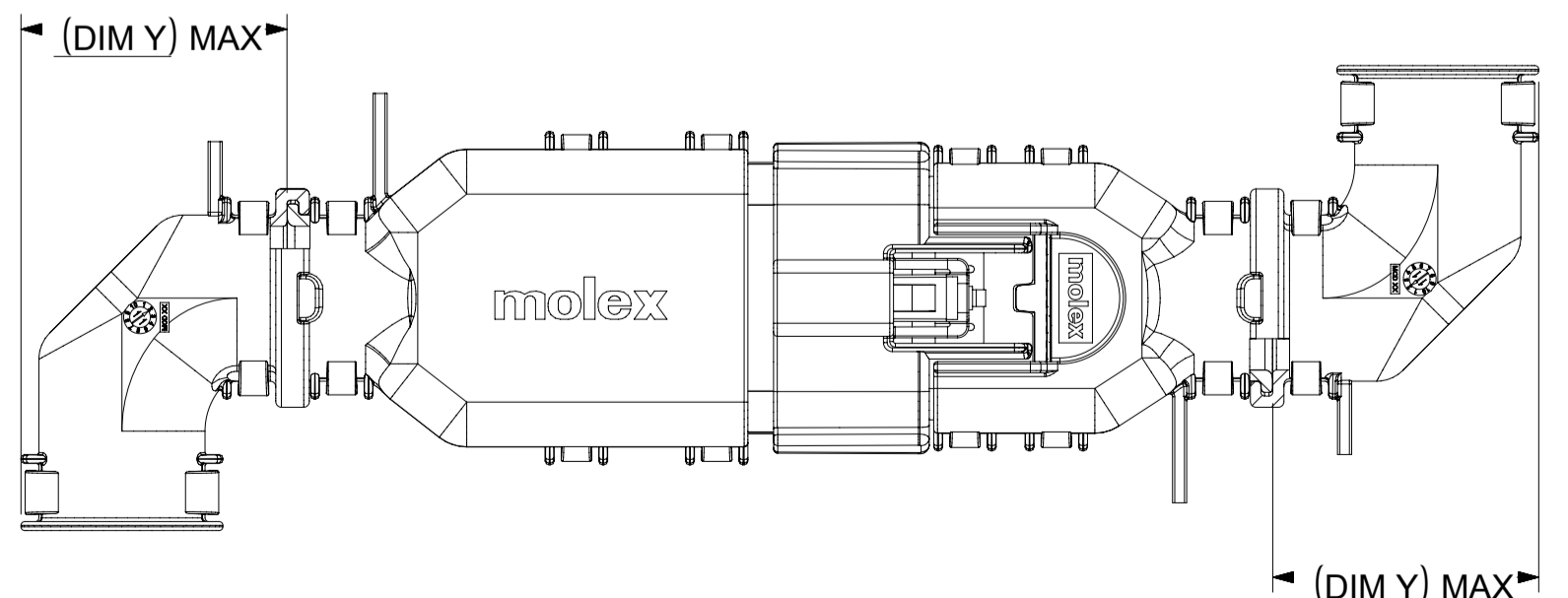
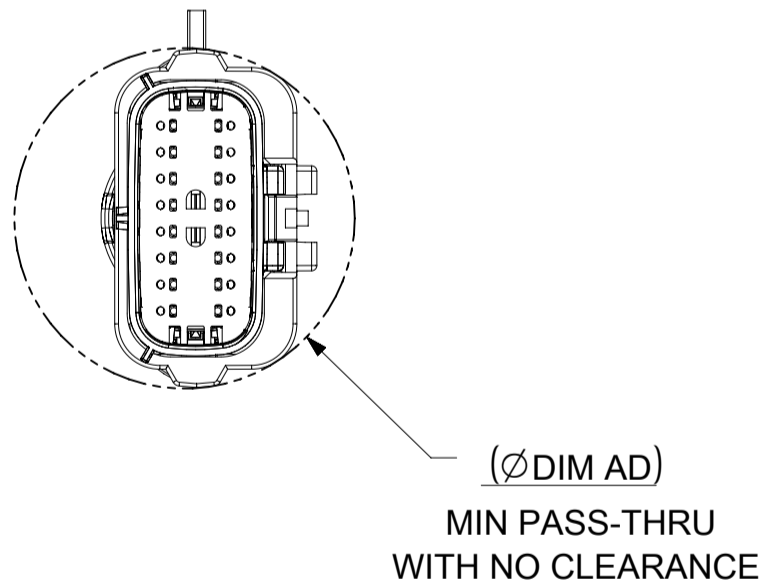
OVERALL MATED SYSTEM WITH BLADE BACKSHELL



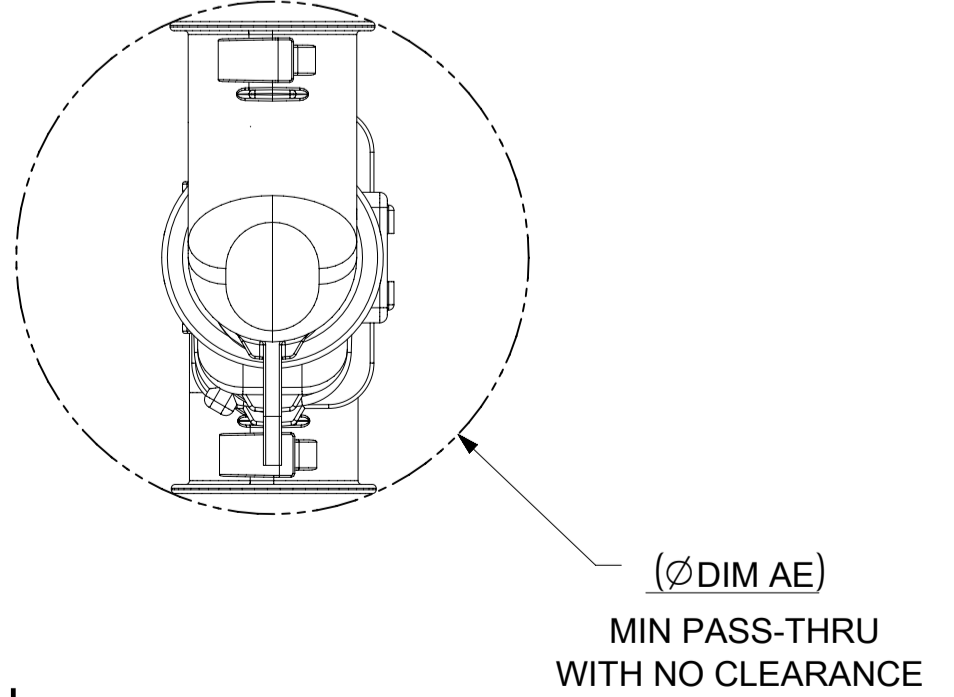
OVERALL MATED SYSTEM WITH RECEPTACLE BACKSHELL



BLADE SEALED ASSEMBLY WITH BLADE BACKSHELL



ADD THE VALUE OF 'Y' TO THE TOTAL DIMENSION
WHENEVER ADAPTOR IS USED



CHARTED DIMENSIONS

| CKT | BLADE CONFIGURATION | RECEPTACLE CONFIGURATION | DIMENSIONS | | | | | | | | | |
|------|---------------------|--------------------------|------------|--------|--------|-------|-------|-------|-------|-------|-------|-------|
| | | | U | V | W | X | Y | AA | AB | AC | AD | AE |
| 2X4 | STANDARD | STANDARD | 115.24 | 94.36 | 93.93 | 75.62 | 32.10 | 32.93 | 32.54 | 32.85 | 31.76 | 56.81 |
| 2X8 | STANDARD | STANDARD | 132.49 | 102.81 | 102.73 | 84.07 | 36.10 | 45.44 | 45.44 | 42.65 | 45.44 | 68.18 |
| 2X10 | STANDARD | STANDARD | 132.49 | 102.81 | 102.73 | 84.07 | 36.10 | 45.44 | 45.44 | 42.65 | 45.44 | 68.18 |

SYMBOLS

| | | | | | | | | | | | | | |
|---------------|---|------------------------|-------|--------------------------|---|-----------------|--------------|--|-----------------|--|--|--|--|
| $\nabla = 0$ | THIS DRAWING CONTAINS INFORMATION THAT IS PROPRIETARY TO MOLEX ELECTRONIC TECHNOLOGIES, LLC AND SHOULD NOT BE USED WITHOUT WRITTEN PERMISSION | DIMENSION UNITS | SCALE | CURRENT REV DESC: | | | molex | | | | | | |
| $\nabla = 0$ | mm | 1:1 | | | | | | | | | | | |
| $\nabla = 0$ | GENERAL TOLERANCES (UNLESS SPECIFIED) | | | | | | | | | | | | |
| $\nabla = 0$ | ANGULAR TOL ± 1.0° | | | | EC NO: 171650 DRWN: PMANJUNATHAC 2018/01/03 CHK'D: MVANSLAMBROU 2018/02/16 APPR: MVANSLAMBROU 2018/02/16 | | | PRODUCT CUSTOMER DRAWING DOCUMENT NUMBER: SD-33482-0001 DOC TYPE: PSD DOC PART: 001 REVISION: E2 | | | | | |
| $\nabla = 0$ | 4 PLACES ± | | | | | | | | | | | | |
| $\nabla = 0$ | 3 PLACES ± | | | | | | | INITIAL REVISION: DRWN: APROFFITT 2014/04/28 APPR: VKOSHY 2014/05/14 | | | | | |
| $\nabla = 0$ | 2 PLACES ± 0.1 | | | | | | | | | | | | |
| $\nabla = 0$ | 1 PLACE ± 0.2 | | | | | | | | | | | | |
| $\nabla = 0$ | 0 PLACES ± | | | | | | | | | | | | |
| $\square = 0$ | DRAFT WHERE APPLICABLE MUST REMAIN WITHIN DIMENSIONS | THIRD ANGLE PROJECTION | | DRAWING | SERIES | MATERIAL NUMBER | | CUSTOMER | SHEET NUMBER | | | | |
| $\nabla = 0$ | | | | A1-SIZE | 33482 | | | GENERAL MARKET | 11 OF 11 | | | | |