



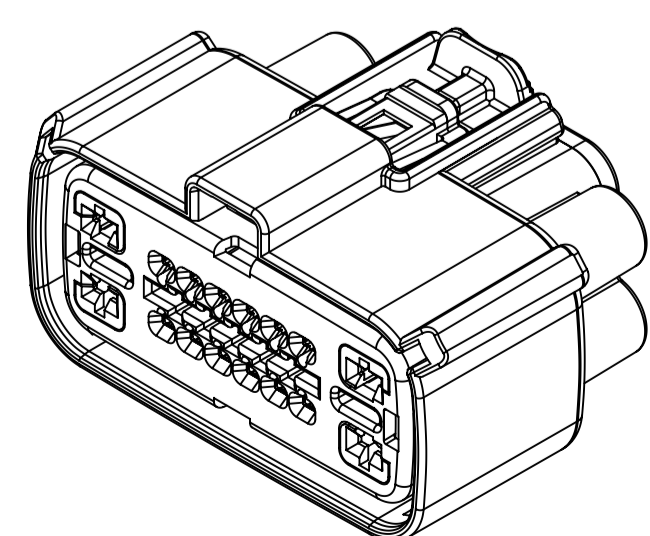
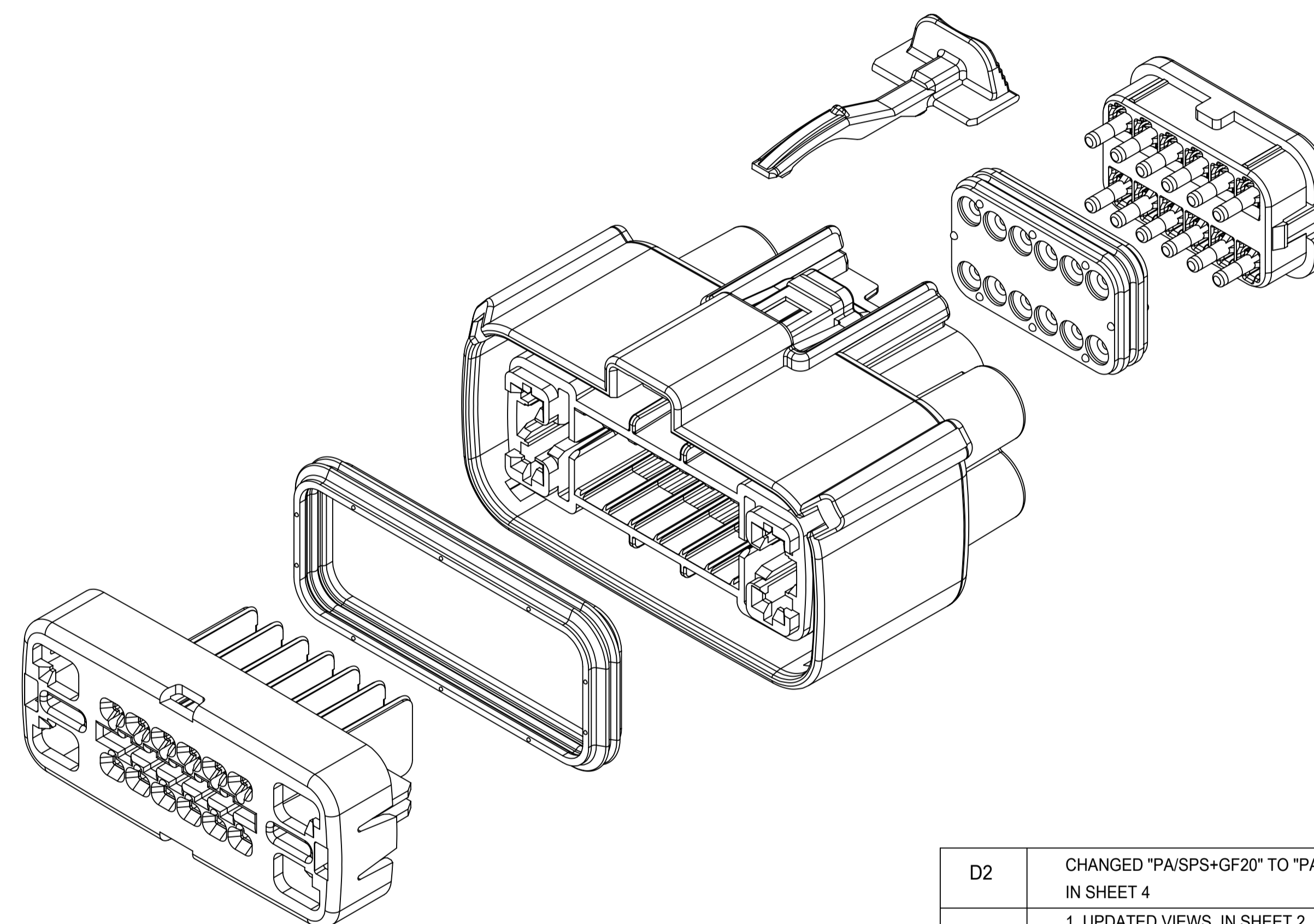
TABLE OF CONTENTS	
SHEET NO.	SHEET DESCRIPTION
1	NOTES AND BOM
2	CONFIGURATIONS
3	KEY CONFIGURATIONS
4	RECEPTACLE CONNECTOR ASSEMBLY

NOTES: VALID UNLESS OTHERWISE SPECIFIED

1. GENERAL:
- a. APPLICATION SPECIFICATION SEE: AS-33472-100
- CONTAINS: PRODUCT INTRODUCTION, PRODUCT SUMMARY, CONNECTOR ASSEMBLY, PACKAGING INFORMATION, CONNECTOR MATING, SERVICE INSTRUCTIONS, ELECTRICAL CONTINUITY CHECKING, CRIMPING, AND TROUBLESHOOTING.
  - DESIGNED TO MATE WITH DEVICE OR CONNECTOR AS SPECIFIED IN THE MATING INTERFACE/CONNECTOR DRAWINGS CHART.
  - \*DENOTES DRAWINGS THAT CAN BE ACCESSED AT <http://ewcap.uscarteams.org/>.
  - ASSEMBLY SHIPPED WITH PLR IN PRE-LOCK POSITION (SEE PLR PRE-LOCK VIEW SHEET 4).
- b. PRODUCT SPECIFICATION SEE: PS-33476-000
- CONTAINS: PRODUCT INTRODUCTION, PRODUCT SUMMARY, RATINGS (CURRENT, TEMPERATURE, SEALING, AND FLAMMABILITY), TERMINALS, WIRE DIAMETER RANGE, PRODUCT VALIDATION, AND PRODUCT DEVIATIONS.
- c. PACKAGING SPECIFICATION PER MOLEX DRAWING: SEE PACKAGING CHART
- d. PARTS MUST BE IN COMPLIANCE TO MOLEX CHEMICAL SUBSTANCES FOR PRODUCTS AND PACKAGING SPECIFICATION: QEHS-699000-300
- e. DATA MUST BE SUBMITTED UNDER THE MOLEX PART NUMBER TO IMDS (COMPANY ID#13255)
2. DESIGN - MATERIALS:
- a. SEE BOM TABLE IN SD-34985-8002
3. DESIGN - GEOMETRY:
- a. THE 3-D CAD DATA IS BASIC (WITHOUT TOLERANCE) AND MASTER FOR THIS PART WITH THE EXCEPTION OF UNDERLINED DIMENSIONS. DIMENSIONAL INFORMATION NOT SHOWN ON THIS DRAWING IS DEFINED BY THE DATA FILE AT ITS LATEST REVISION.
- b. GEOMETRIC DIMENSIONS AND TOLERANCES PER ASME Y14.5M-2009
- c. EDGES AND UNDIMENSIONED DETAILS PER ISO13715
- d. CORNERS SHOWN AS SHARP TO BE R 0.2 MAX.
- e. LETTERING SHALL BE 0.15 MAX RAISED IN 0.25 MAX RECESS PAD. THIS INCLUDES RECYCLING CODE, CAVITY ID, VENDOR IDENTIFICATION, AND CUSTOMER MATERIAL NUMBER.
- f. VISUAL DEFECTS SHALL MEET COSMETIC STANDARD PS-45499-002 (Class B).
- g. LASER MARKING:
1. PART NUMBER
  2. DAY OF THE YEAR
  3. SHIFT
  4. YEAR
- FOR ADDITIONAL INFORMATION SEE SECTION 5 UNDER PROCEDURES IN ES-34735-008.

PACKAGING	
DESCRIPTION	DRAWING NO.
W/ CLIPSLOT	PK-30907-895
W/O CLIPSLOT	PK-31300-094

MATING INTERFACE/CONNECTOR DRAWINGS		
DESCRIPTION	INTERFACE DEFINITION	MOLEX INLINE
W/O SHORTING BAR	*999-S-016-2-Z02	SD-34986-8001
W/ SHORTING BAR	N/A	SD-34986-8001



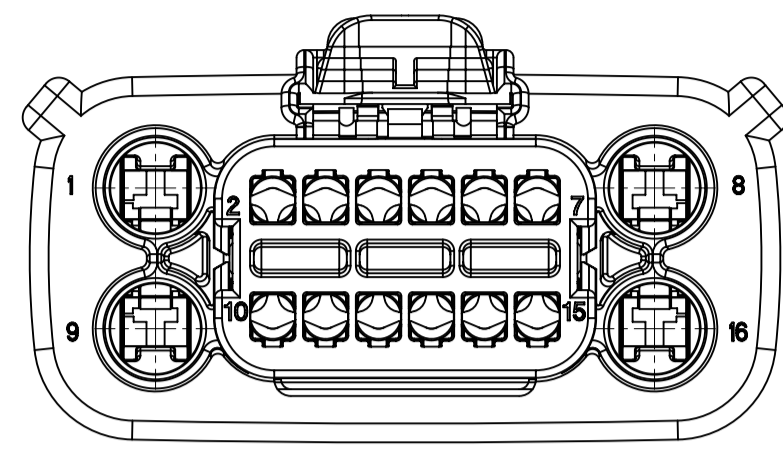
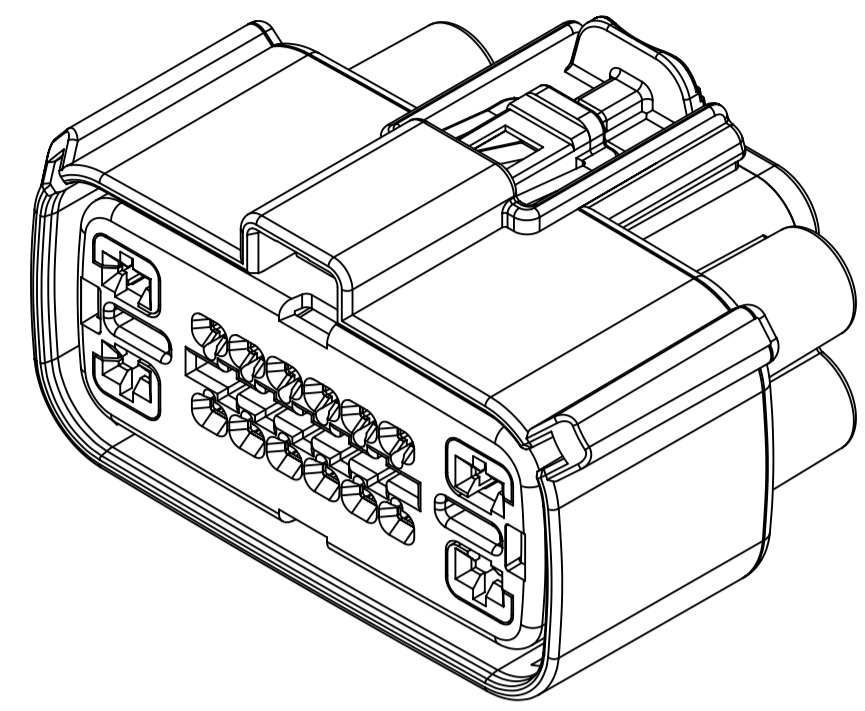
INSPECTION NUMBER LOG	
LAST NUMBER:	11
ADDED:	
REMOVED:	

D2	CHANGED "PA/SPS+GF20" TO "PA/SPS-GF20" IN SHEET 4
D1	1. UPDATED VIEWS IN SHEET 2 2. CHANGED DIM 10.98 TO 11.00, 6.61 TO 6.60, 15.00+/-0.10 TO 15.00+0.30/-0.20 IN SHEET 4
D	REMOVED BOM (REFER TO SD-34985-8002)
C	NEW P/N 34985-4026 THRU 4028
B	NEW P/N 34985-4023 THRU 4025
A2	UPDATED PACKAGING DWGS
A1	FIXED TYPO IN NOTE 1a
A	INITIAL RELEASE
REV	REV DESCRIPTION

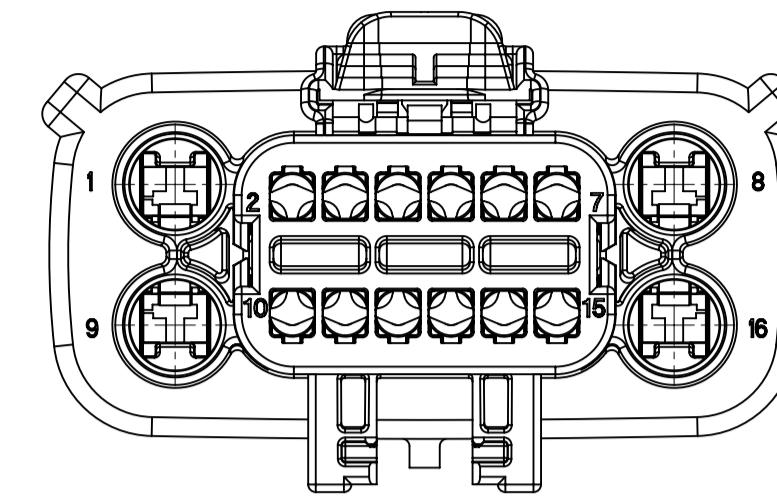
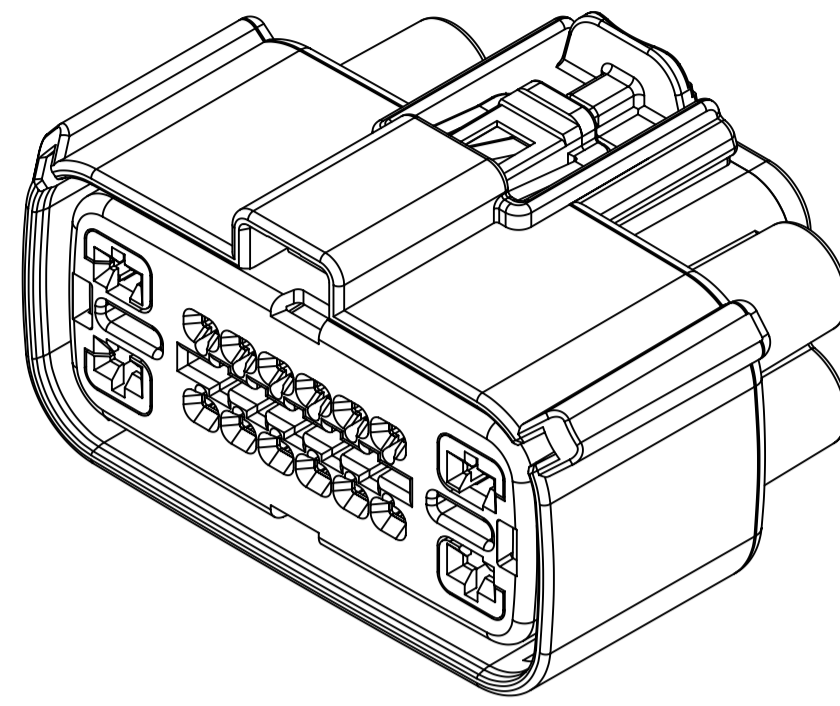
SYMBOLS	THIS DRAWING CONTAINS INFORMATION THAT IS PROPRIETARY TO MOLEX ELECTRONIC TECHNOLOGIES, LLC AND SHOULD NOT BE USED WITHOUT WRITTEN PERMISSION		CURRENT REV DESC:	
	DIMENSION UNITS	SCALE		
	mm	1.5:1		
	GENERAL TOLERANCES (UNLESS SPECIFIED)			
	ANGULAR TOL ± 3.0°			
	4 PLACES	±		
	3 PLACES	±		
	2 PLACES	± 0.1		
	1 PLACE	± 0.3		
	0 PLACES	±		
	DRAFT WHERE APPLICABLE MUST REMAIN WITHIN DIMENSIONS			
	THIRD ANGLE PROJECTION			
			DRAWING	SERIES
			A1-SIZE	34985
			EC NO: 619601	
			DRWN: HKLIANG	2019/07/25
			CHK'D: MVANSLAMBROU	2019/08/02
			APPR: MVANSLAMBROU	2019/08/02
			INITIAL REVISION:	
			DRWN: TYE	2014/09/12
			APPR: VKOSHY	2014/09/22
DOCUMENT NUMBER		DOC TYPE	DOC PART	REVISION
SD-34985-8001		PSD	001	D2
MATERIAL NUMBER		CUSTOMER		SHEET NUMBER
		GENERAL MARKET		1 OF 4

# SHEET DESCRIPTION

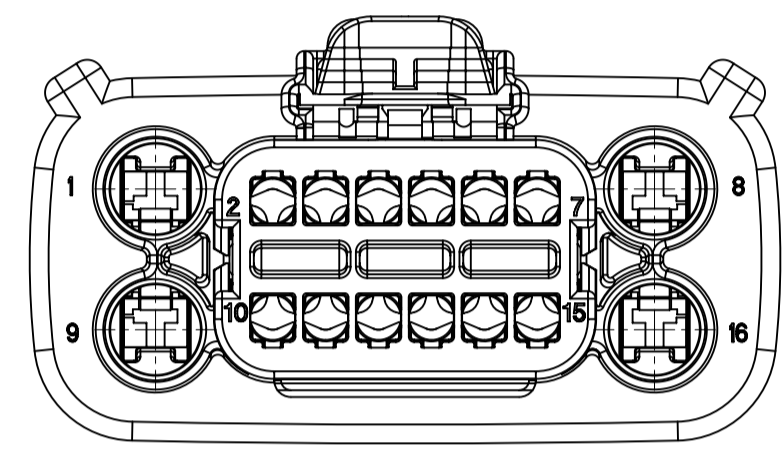
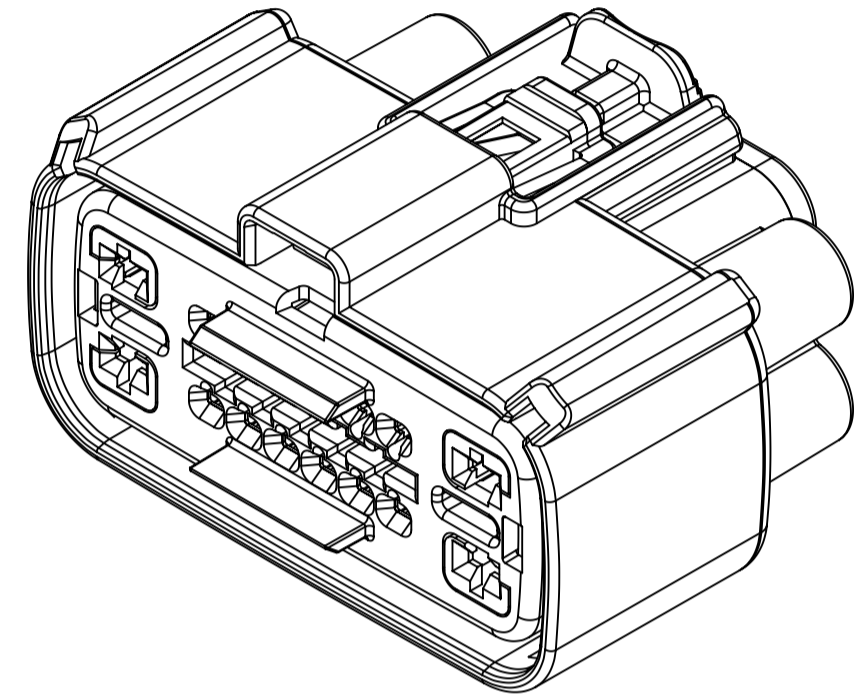
## CONFIGURATIONS



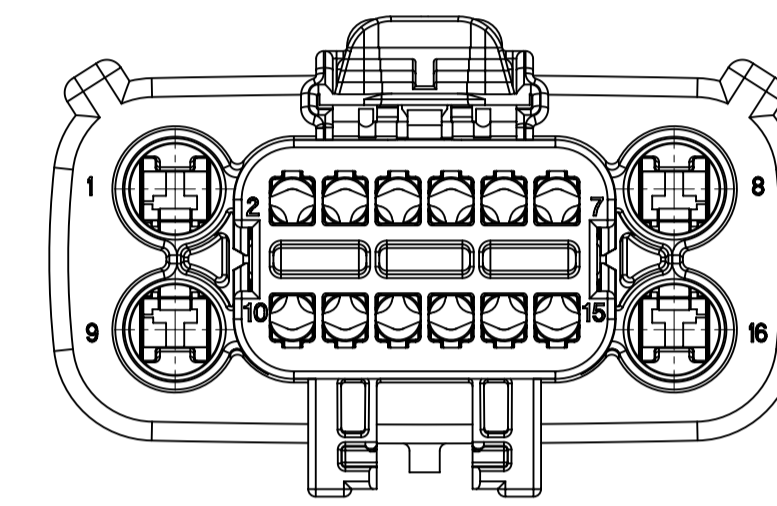
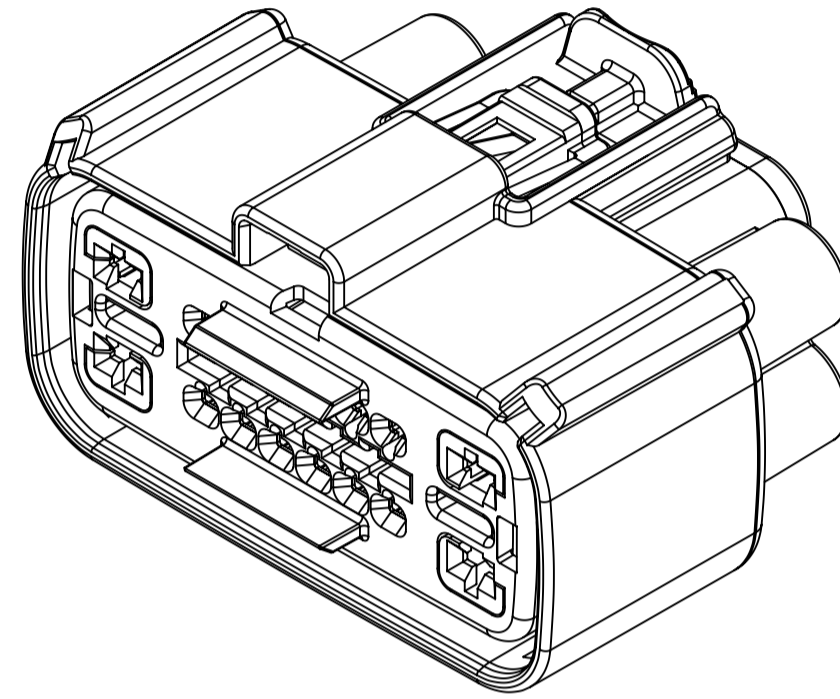
STANDARD (STD) - ALL OPEN 2.8mm CAVITIES



STANDARD (STD) - ALL OPEN 2.8mm CAVITIES WITH CLIPSLOT



SHORTING (SHRT) BAR - ALL OPEN 2.8mm CAVITIES

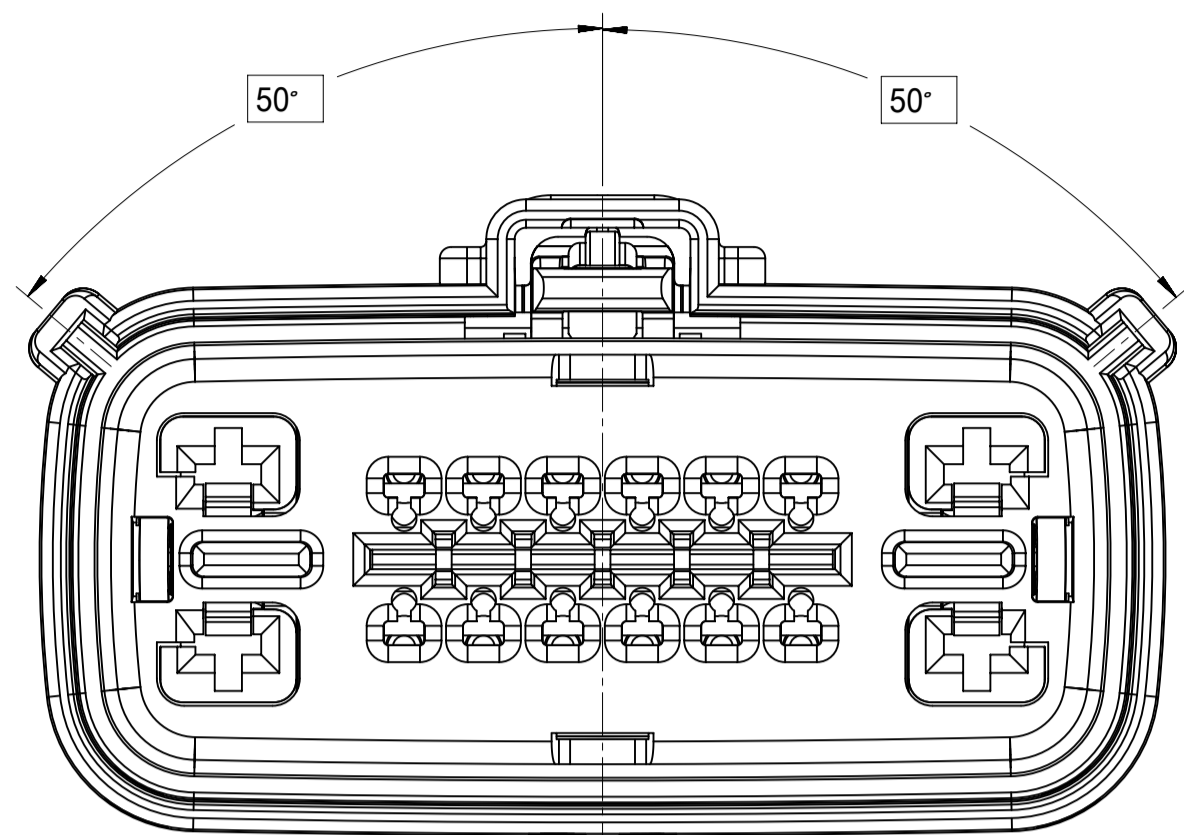


SHORTING (SHRT) BAR - ALL OPEN 2.8mm CAVITIES WITH CLIPSLOT

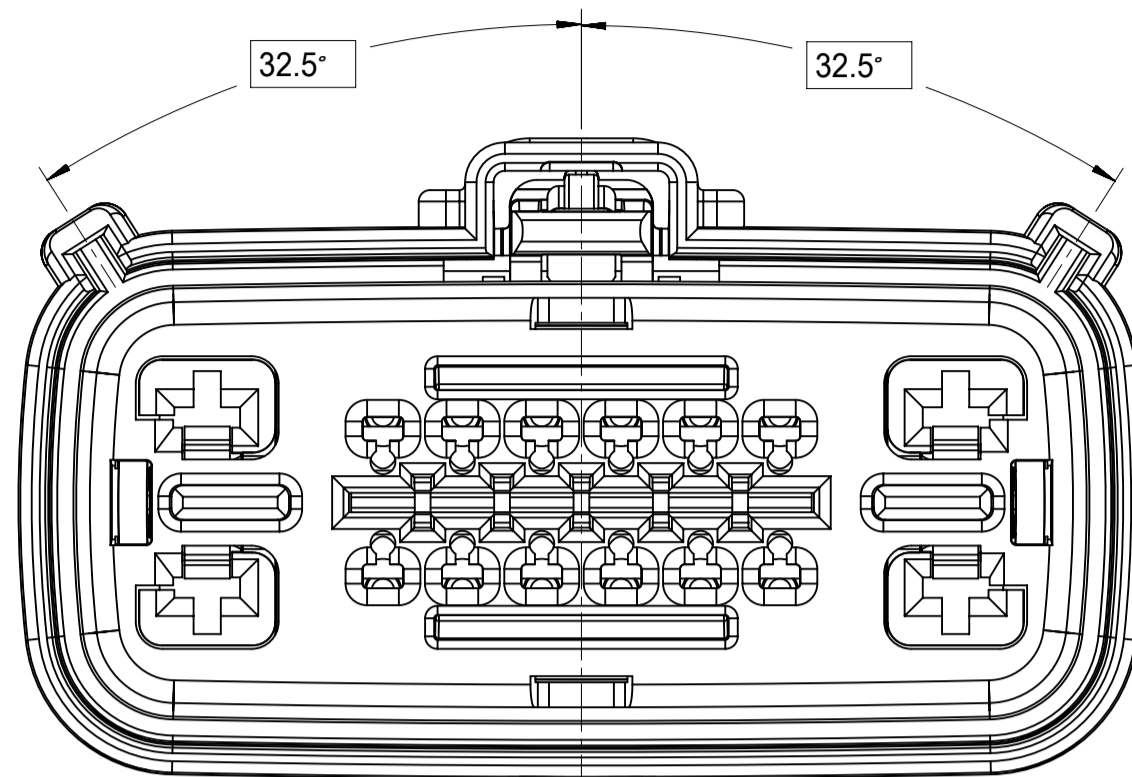
<b>SYMBOLS</b> = 0 = 0 = 0 = 0 = 0 = 0 = 0 = 0 = 0 = 0 = 0 = 0	THIS DRAWING CONTAINS INFORMATION THAT IS PROPRIETARY TO MOLEX ELECTRONIC TECHNOLOGIES, LLC AND SHOULD NOT BE USED WITHOUT WRITTEN PERMISSION DIMENSION UNITS: <b>mm</b> SCALE: <b>2:1</b>	CURRENT REV DESC:  EC NO: 619601 DRWN: HKLIANG 2019/07/25 CHK'D: MVANSLAMBROU 2019/08/02 APPR: MVANSLAMBROU 2019/08/02			
	GENERAL TOLERANCES (UNLESS SPECIFIED) ANGULAR TOL ± 3.0° 4 PLACES ± 3 PLACES ± 2 PLACES ± 0.1 1 PLACE ± 0.3 0 PLACES ±	INITIAL REVISION: DRWN: TYE 2014/09/12 APPR: VKOSHY 2014/09/22	PRODUCT CUSTOMER DRAWING		
DRAFT WHERE APPLICABLE MUST REMAIN WITHIN DIMENSIONS THIRD ANGLE PROJECTION 	DRAWING: <b>A1-SIZE</b> SERIES: <b>34985</b>	DOCUMENT NUMBER: <b>SD-34985-8001</b> DOC TYPE: PSD DOC PART: 001 REVISION: D2	MATERIAL NUMBER CUSTOMER: <b>GENERAL MARKET</b>	SHEET NUMBER: <b>2 OF 4</b>	

# SHEET DESCRIPTION

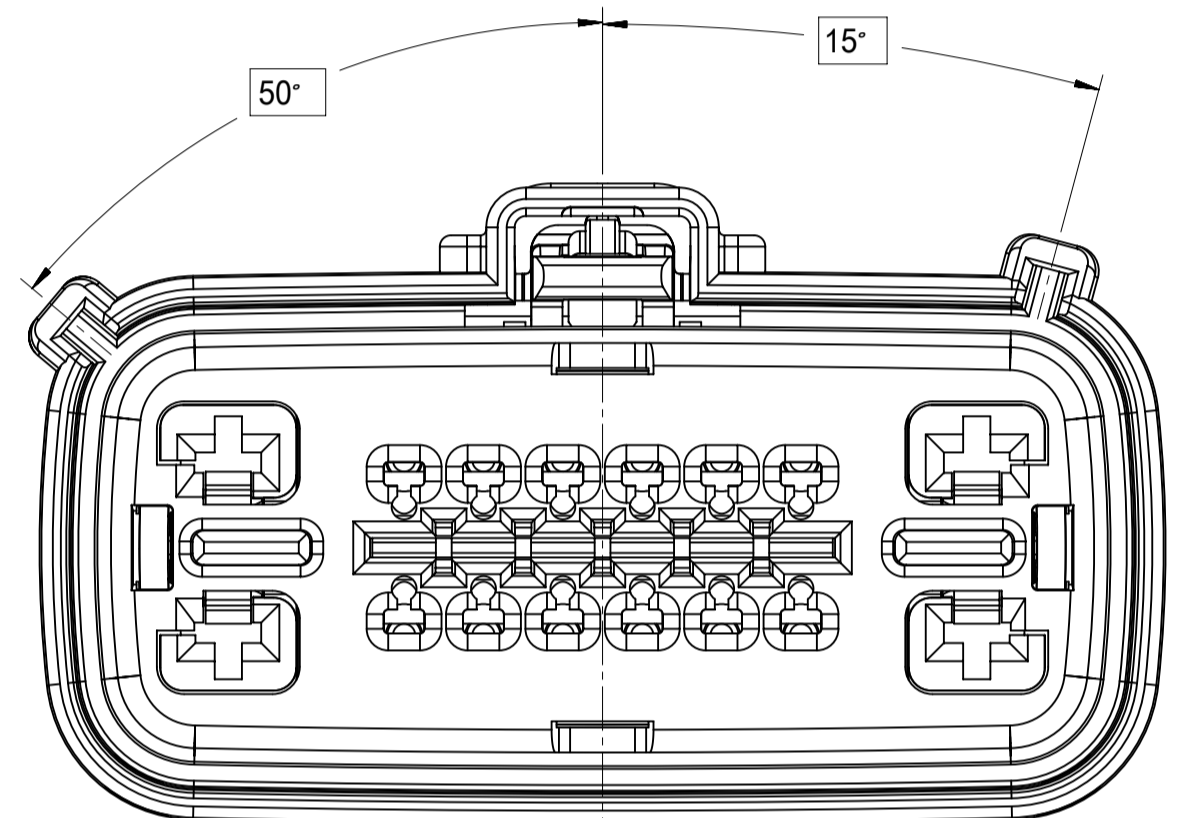
## KEY CONFIGURATIONS



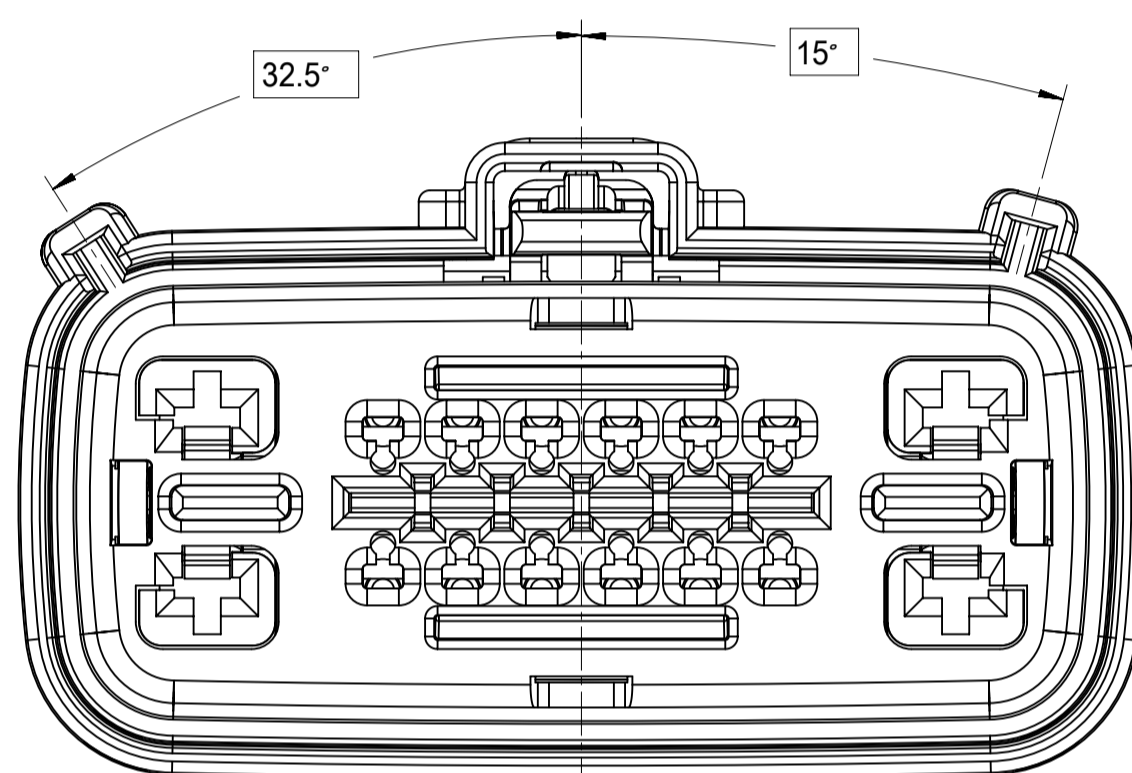
KEY A



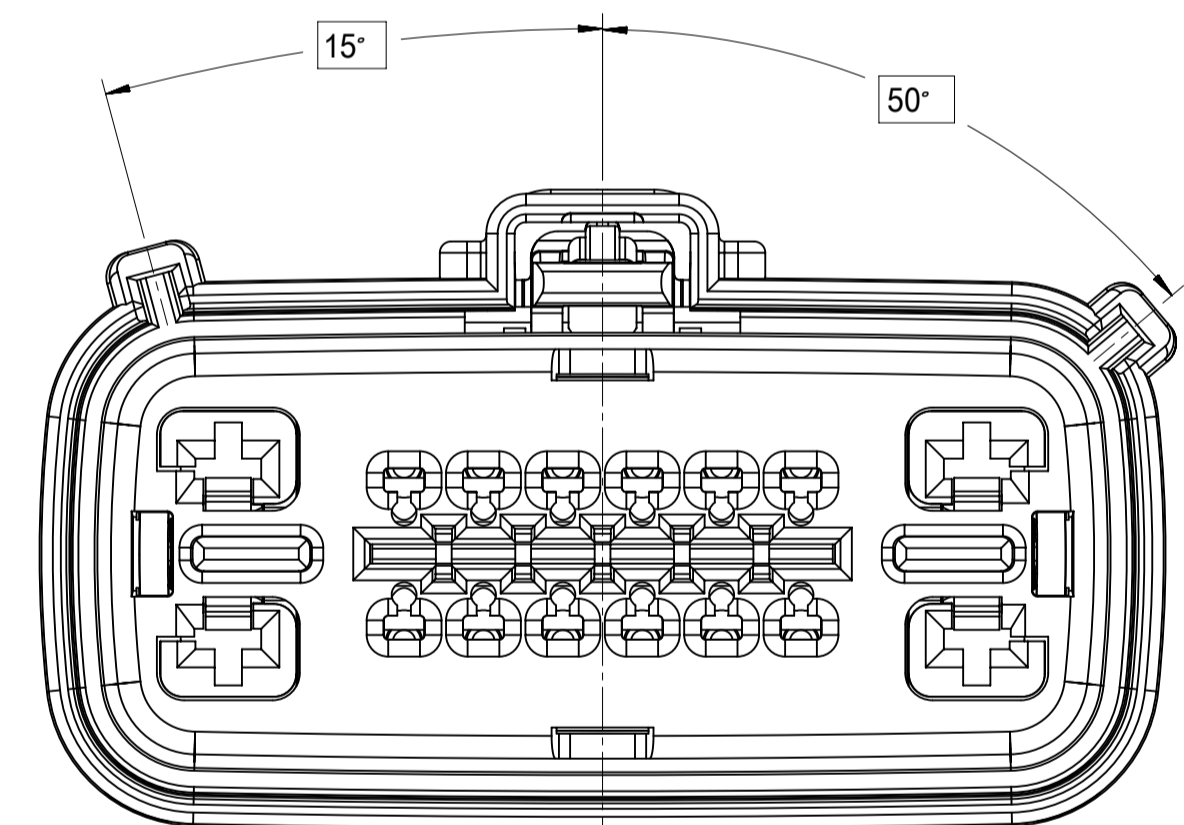
KEY E



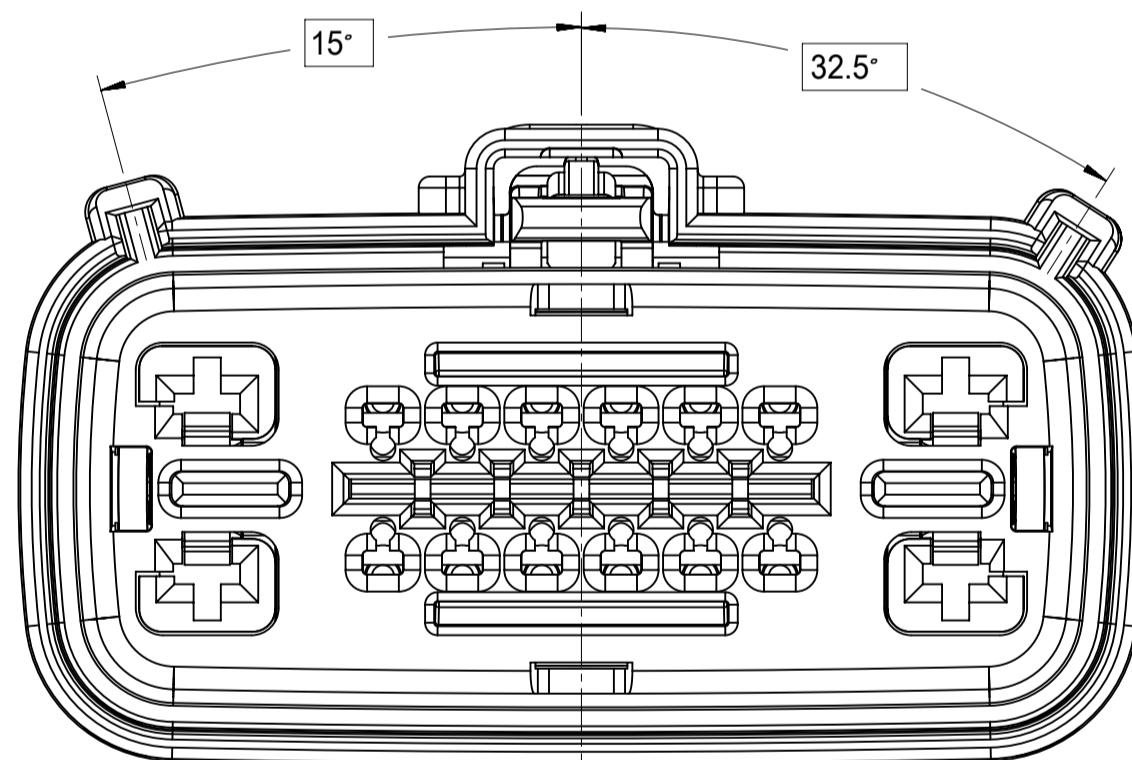
KEY B



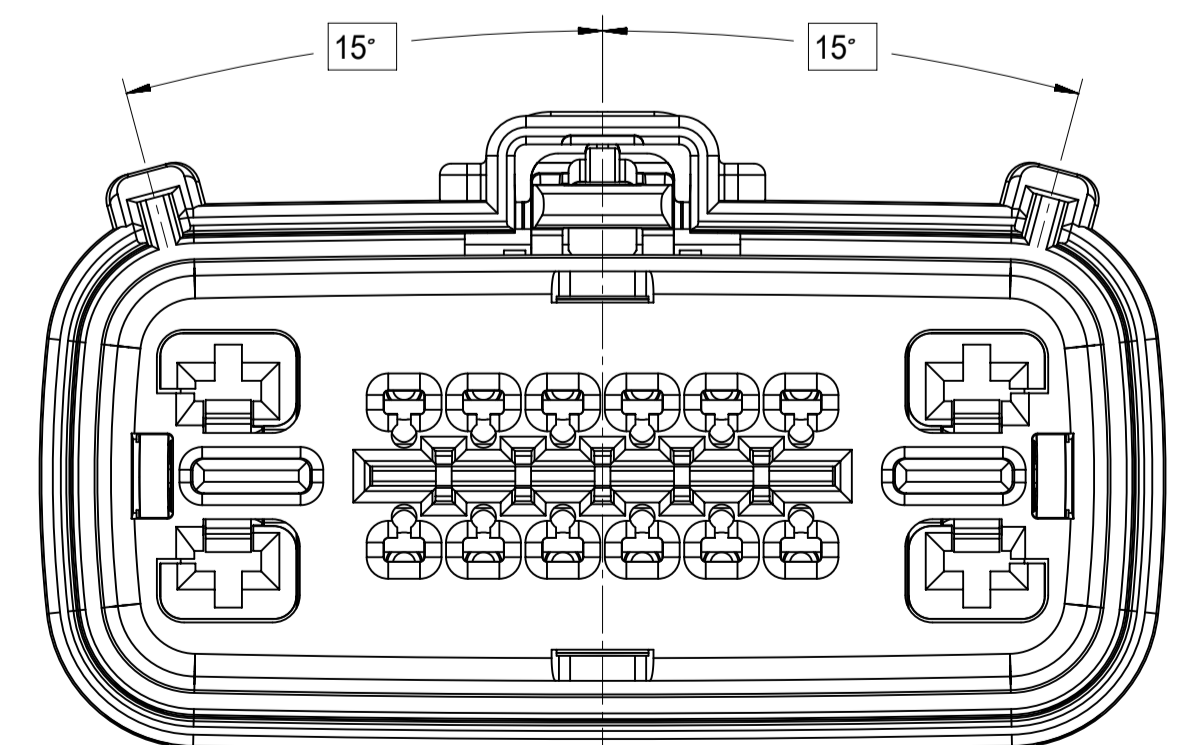
KEY F



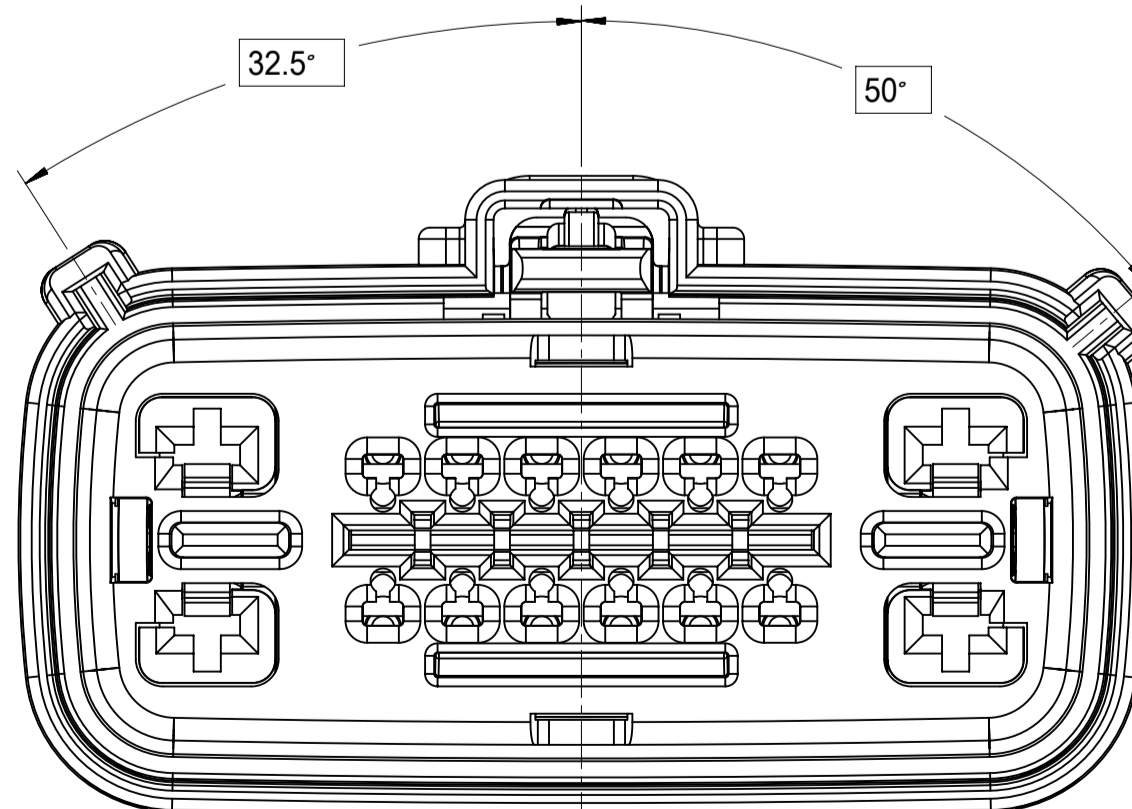
KEY C



KEY G



KEY D

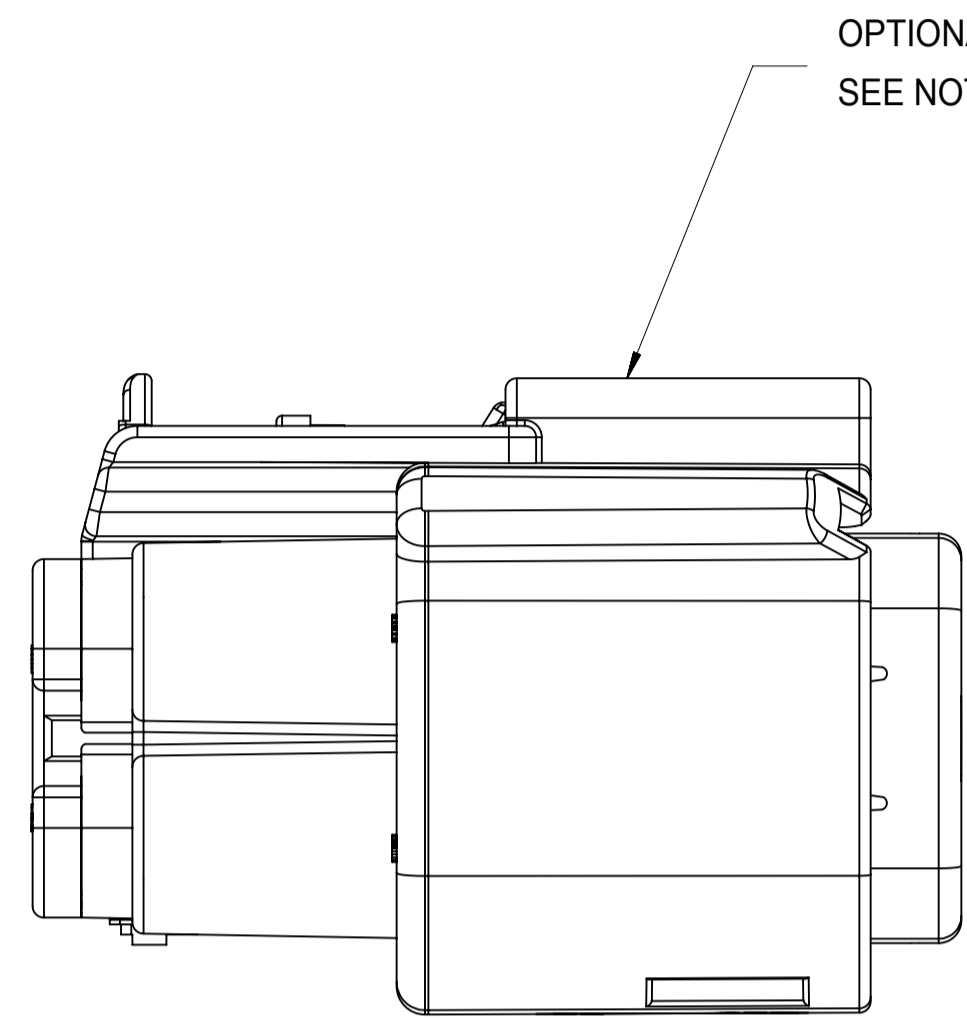


KEY H

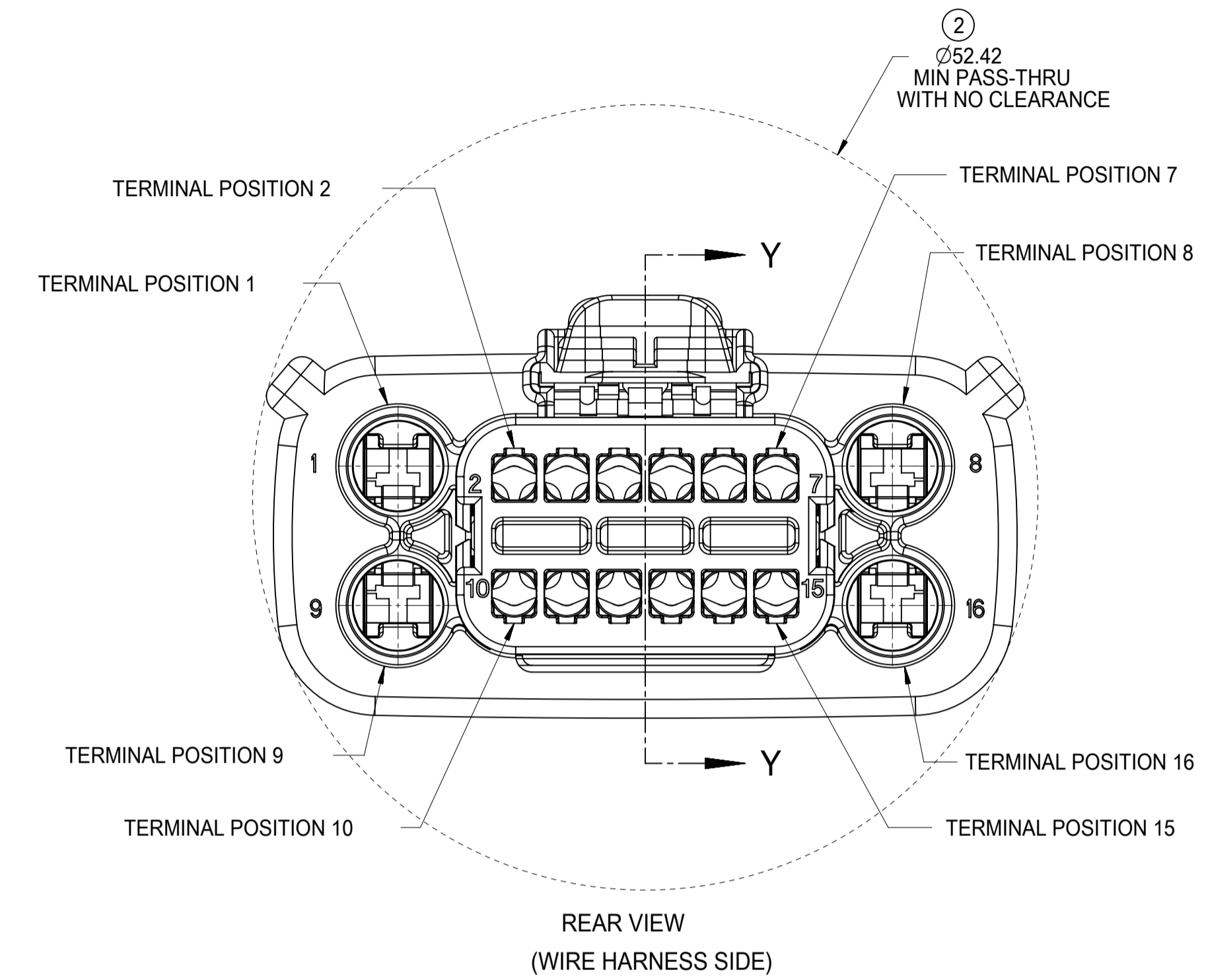
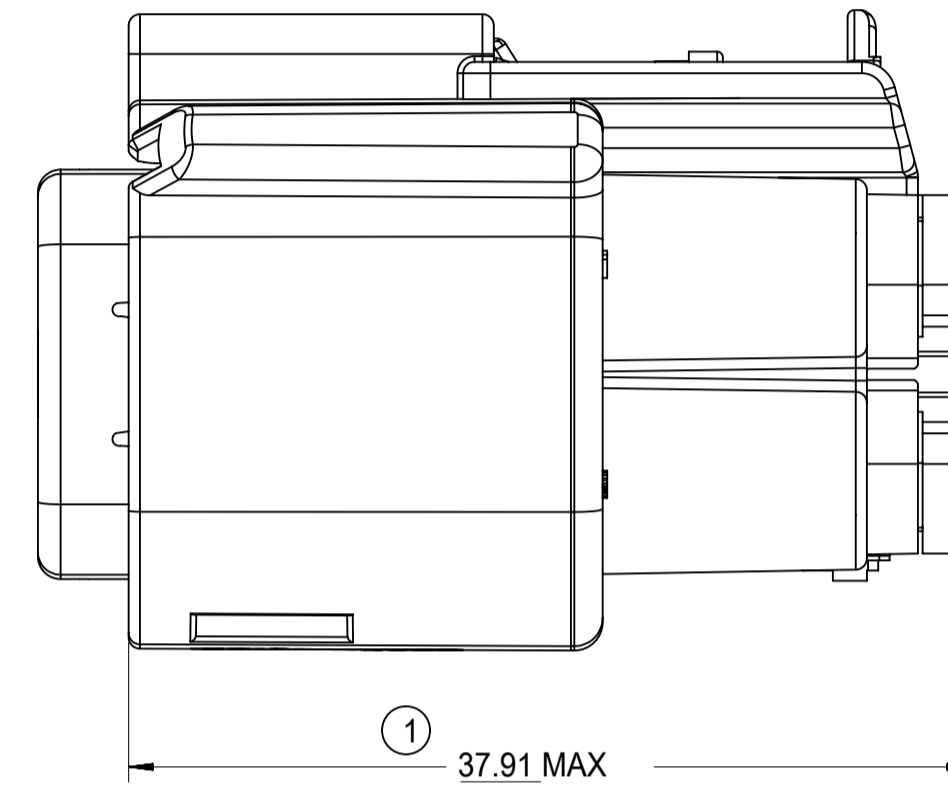
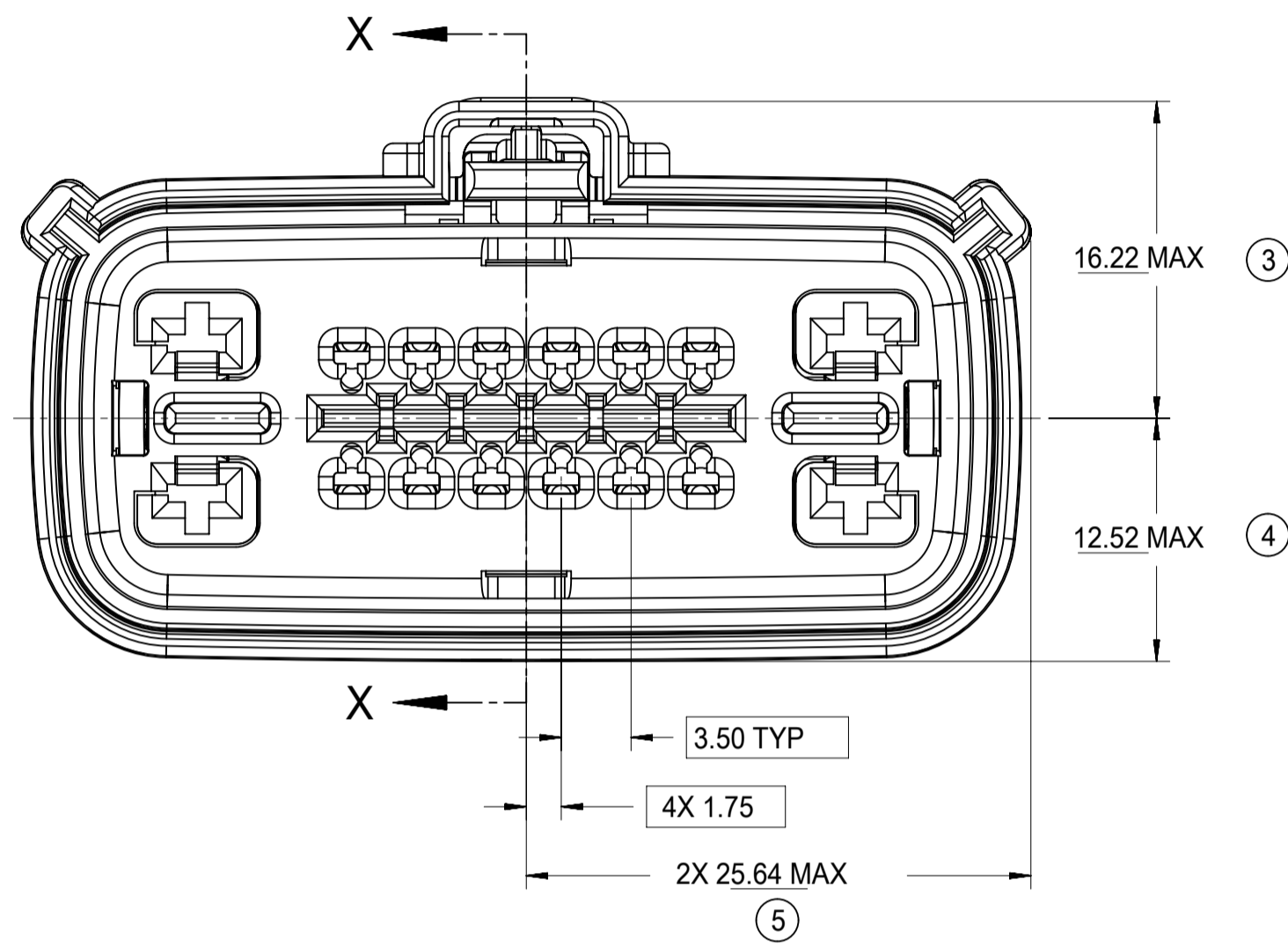
<b>SYMBOLS</b> = 0 = 0 = 0 = 0 = 0 = 0 = 0 = 0 = 0 = 0	THIS DRAWING CONTAINS INFORMATION THAT IS PROPRIETARY TO MOLEX ELECTRONIC TECHNOLOGIES, LLC AND SHOULD NOT BE USED WITHOUT WRITTEN PERMISSION		DIMENSION UNITS: <b>mm</b> SCALE: <b>3:1</b>		CURRENT REV DESC:				
	GENERAL TOLERANCES (UNLESS SPECIFIED)		EC NO: 619601 DRWN: HKLIANG    2019/07/25 CHK'D: MVANSLAMBROU    2019/08/02 APPR: MVANSLAMBROU    2019/08/02		PRODUCT CUSTOMER DRAWING				
ANGULAR TOL ± 3.0°		4 PLACES ±		INITIAL REVISION:		DOCUMENT NUMBER		DOC TYPE   DOC PART   REVISION	
3 PLACES ±		2 PLACES ± 0.1		DRWN: TYE    2014/09/12 APPR: VKOSHY    2014/09/22		<b>SD-34985-8001</b>		<b>PSD 001 D2</b>	
2 PLACES ± 0.3		1 PLACE ± 0.3		THIRD ANGLE PROJECTION		MATERIAL NUMBER		CUSTOMER	
0 PLACES ±		DRAFT WHERE APPLICABLE MUST REMAIN WITHIN DIMENSIONS				<b>A1-SIZE 34985</b>		GENERAL MARKET	
0 PLACES ±		DRAFT WHERE APPLICABLE MUST REMAIN WITHIN DIMENSIONS		SHEET NUMBER		<b>3 OF 4</b>			

# SHEET DESCRIPTION

RECEPTACLE CONNECTOR ASSEMBLY



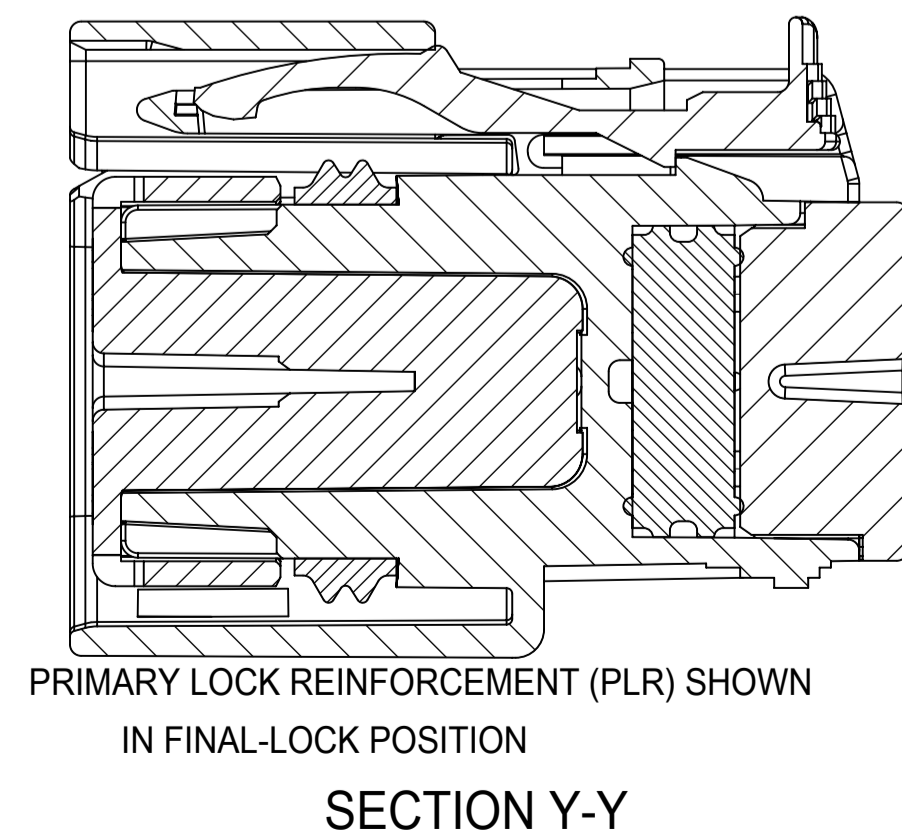
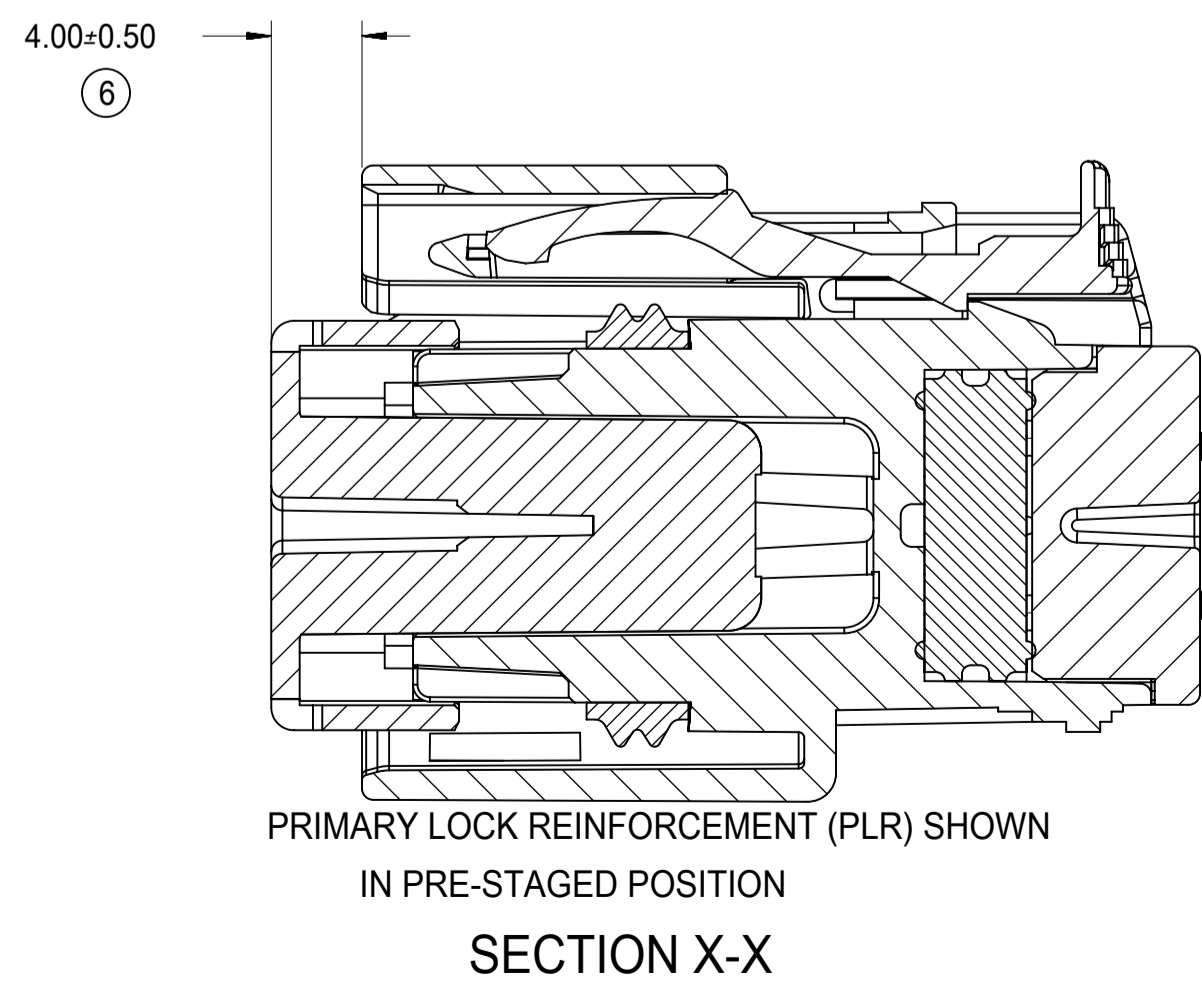
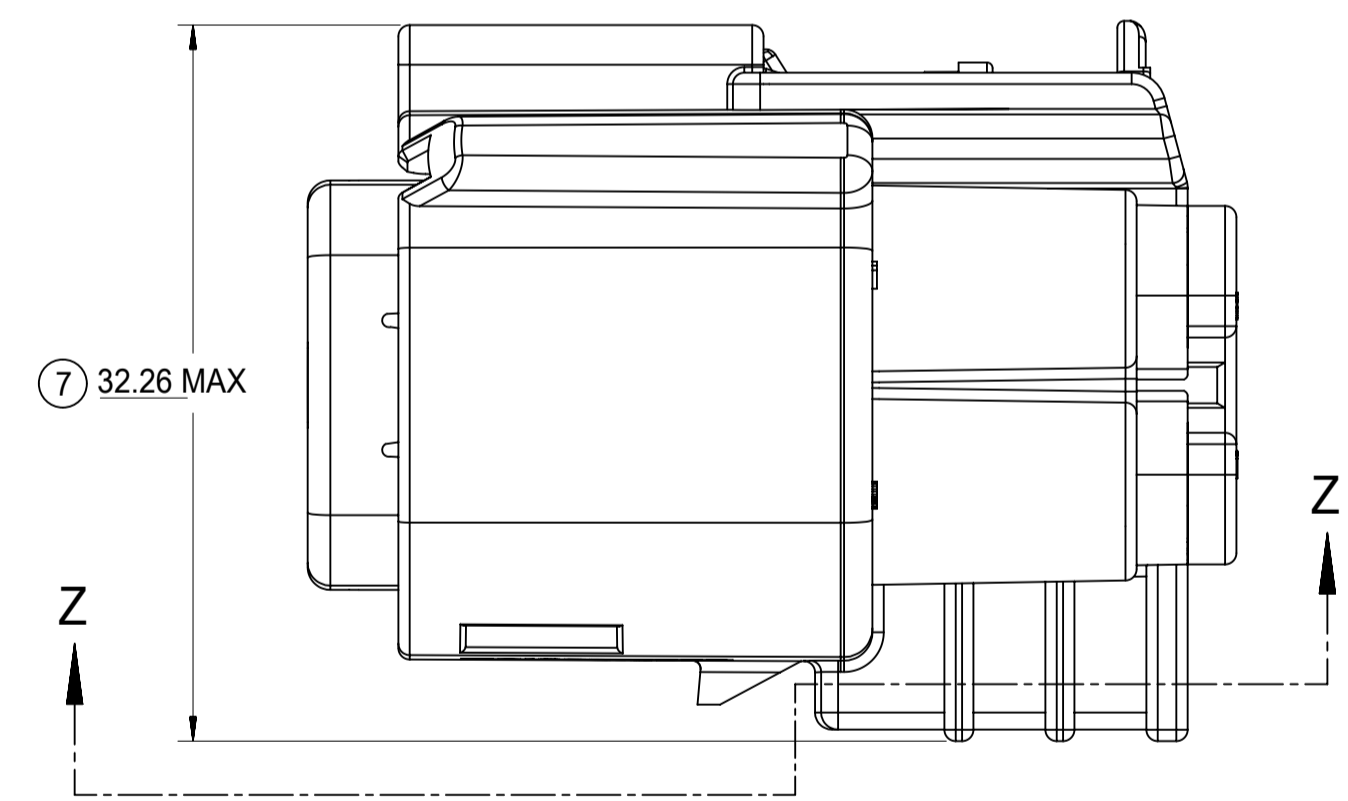
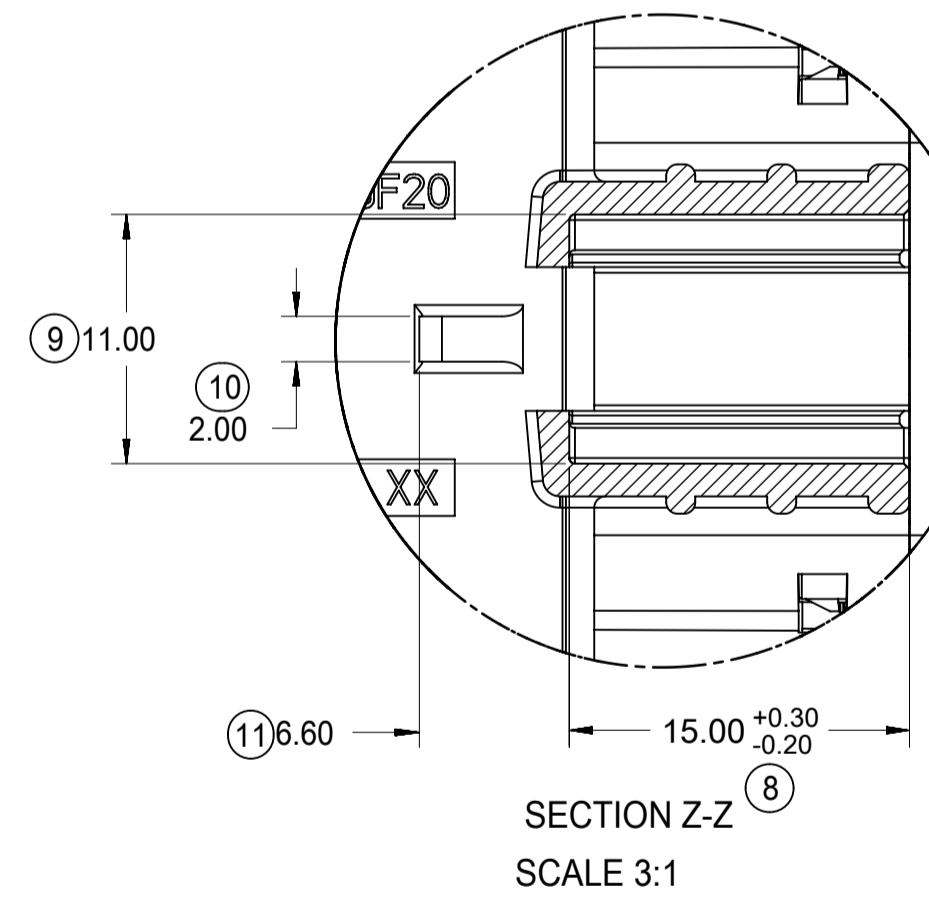
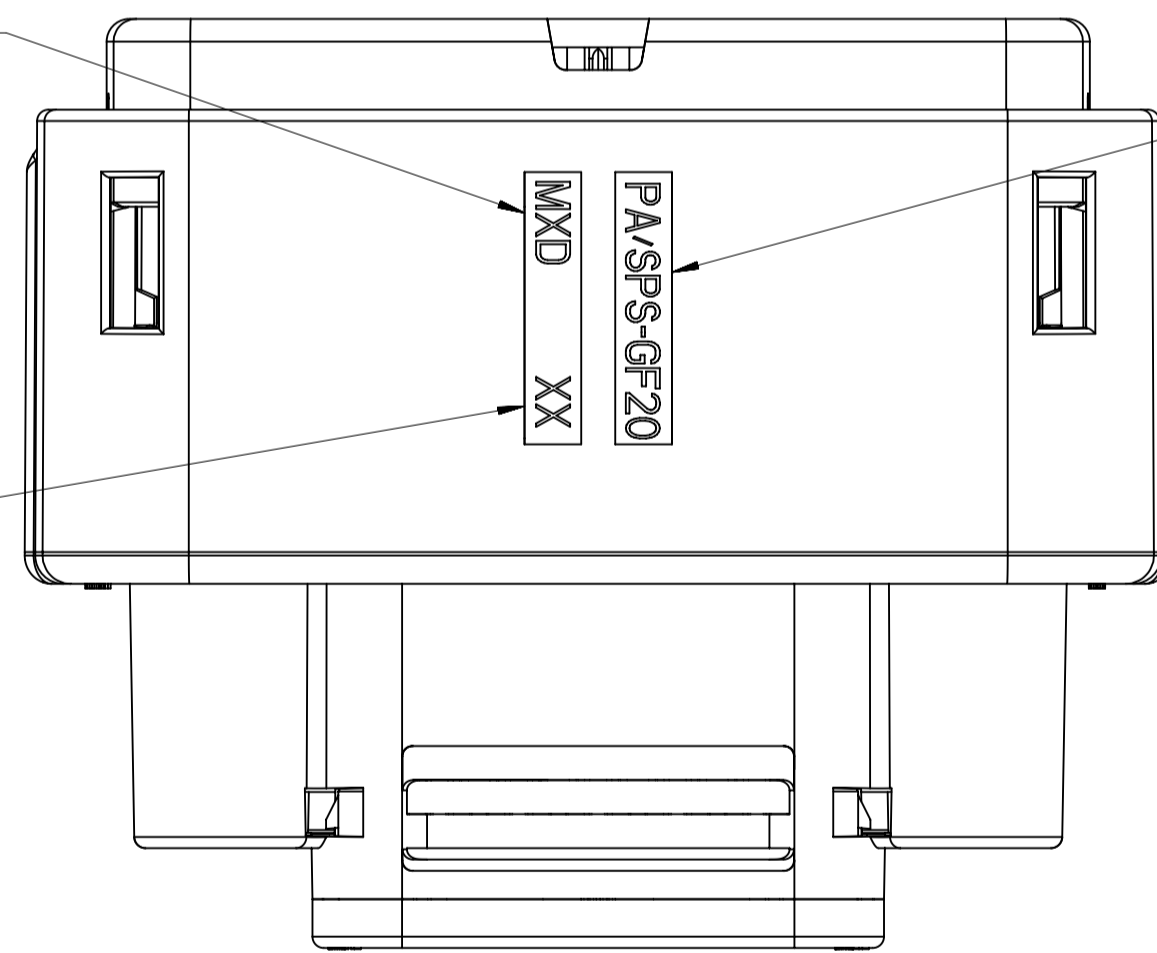
OPTIONAL LASER MARKING ON THIS SURFACE  
SEE NOTE 3g.



MANUFACTURING LOCATION  
CODE THIS LOCATION

RECYCLE CODE  
THIS LOCATION

MOLD CAVITY I.D.  
THIS LOCATION



SYMBOLS		THIS DRAWING CONTAINS INFORMATION THAT IS PROPRIETARY TO MOLEX ELECTRONIC TECHNOLOGIES, LLC AND SHOULD NOT BE USED WITHOUT WRITTEN PERMISSION		CURRENT REV DESC:		molex	
▽ = 0	mm	SCALE	3:1	EC NO: 619601		MX150 16 WAY HYBRID RECPT SEALED ASSEMBLY	
▽ = 0	GENERAL TOLERANCES (UNLESS SPECIFIED)			DRWN: HKLIANG 2019/07/25		PRODUCT CUSTOMER DRAWING	
▽ = 0	ANGULAR TOL ± 3.0°			CHK'D: MVANSLAMBROU 2019/08/02		DOCUMENT NUMBER	
▽ = 0	4 PLACES ±			APPR: MVANSLAMBROU 2019/08/02		SD-34985-8001	
▽ = 0	3 PLACES ±			INITIAL REVISION:		DOC TYPE   DOC PART   REVISION	
▽ = 0	2 PLACES ± 0.1			DRWN: TYE 2014/09/12		PSD 001 D2	
▽ = 0	1 PLACE ± 0.3			APPR: VKOSHY 2014/09/22		MATERIAL NUMBER	
▽ = 0	0 PLACES ±			THIRD ANGLE PROJECTION		CUSTOMER	
▽ = 0	DRAFT WHERE APPLICABLE MUST REMAIN WITHIN DIMENSIONS			DRAWING		GENERAL MARKET	
▽ = 0				SERIES		SHEET NUMBER	
				A1-SIZE 34985		4 OF 4	









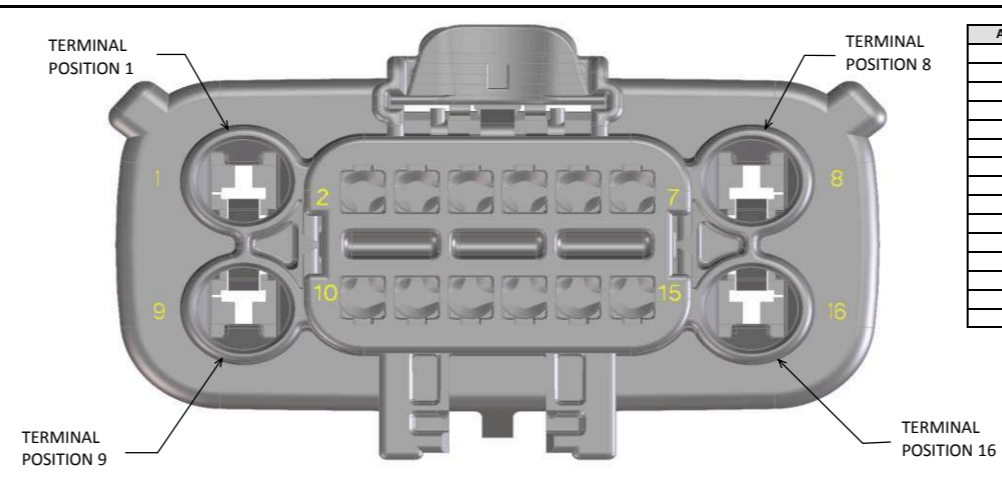
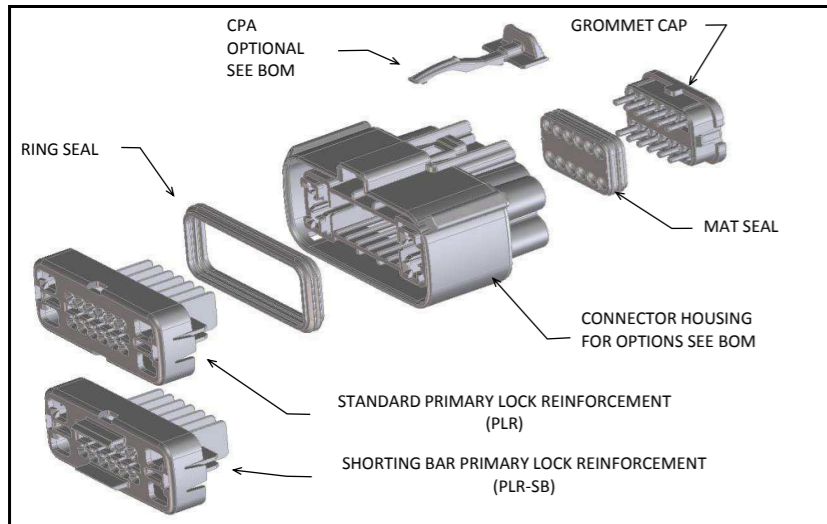




**MX150 16 WAY HYBRID RECEPTACLE SEALED ASSEMBLY MAT SEAL (WITHOUT CLIPSLOT, 2.8mm CAVITIES OPEN)  
BOM AND PIN OUT SHEET**

ASSEMBLY DESCRIPTION	ASSEMBLY PART NUMBER	COMPONENT						BLOCKED TERMINALS																STATUS	COMMENTS	OPTIONAL ATTACHMENTS SOLD SEPERATELY	
		THE PRESENCE OF AN ABBREVIATION INDICATES THE PRESENCE OF THAT COMPONENT.						CAVITY WITH A NUMBER INDICATES BLOCKED TERMINAL POSITION CAVITY WITHOUT A NUMBER INDICATES OPEN TERMINAL POSITION																		BACKSHELL WITH RIBS	BACKSHELL WITHOUT RIBS
		HOUSING KEY/COLOR	GROMMET CAP	PLR	CPA	MAT SEAL	RING SEAL	1	2	3	4	5	6	7	8	9	10	11	12	13	14	15	16				
KEY B, LIGHT GRAY, W/O CPA	34985-4122	B-LG	GC	PLR		M	R					6	7				11					15		SALEABLE		NOT AVAILABLE	NOT AVAILABLE
KEY B, LIGHT GRAY, W/O CPA	34985-4123	B-LG	GC	PLR		M	R				4	5					11	12	13			15		SALEABLE		NOT AVAILABLE	NOT AVAILABLE
KEY B, LIGHT GRAY, W/O CPA	34985-4124	B-LG	GC	PLR		M	R					6	7			10	11		14			15		SALEABLE		NOT AVAILABLE	NOT AVAILABLE
KEY B, LIGHT GRAY, W/O CPA	34985-4125	B-LG	GC	PLR		M	R					5	6	7		10	11	12	13	14				SALEABLE		NOT AVAILABLE	NOT AVAILABLE
KEY B, LIGHT GRAY, W/O CPA	34985-4126	B-LG	GC	PLR		M	R					5	6	7			11	12	13					SALEABLE		NOT AVAILABLE	NOT AVAILABLE
KEY B, LIGHT GRAY, W/O CPA	34985-4127	B-LG	GC	PLR		M	R					5	6							14				SALEABLE		NOT AVAILABLE	NOT AVAILABLE
KEY B, LIGHT GRAY, W/O CPA	34985-4128	B-LG	GC	PLR		M	R		2		4	5	6	7		10	11	12	13	14	15			SALEABLE		NOT AVAILABLE	NOT AVAILABLE
KEY B, LIGHT GRAY, W/O CPA	34985-4129	B-LG	GC	PLR		M	R		2		4	5	6	7			11			14				SALEABLE		NOT AVAILABLE	NOT AVAILABLE
KEY B, LIGHT GRAY, W/O CPA	34985-4130	B-LG	GC	PLR		M	R		2		4	5	6							14				SALEABLE		NOT AVAILABLE	NOT AVAILABLE
KEY B, LIGHT GRAY, W/O CPA	34985-4131	B-LG	GC	PLR		M	R					5	6	7			11			14				SALEABLE		NOT AVAILABLE	NOT AVAILABLE
KEY B, LIGHT GRAY, W/O CPA	34985-4132	B-LG	GC	PLR		M	R		2		4	5	6	7		10	11	12	13	14				SALEABLE		NOT AVAILABLE	NOT AVAILABLE
KEY B, LIGHT GRAY, W/O CPA	34985-4133	B-LG	GC	PLR		M	R					5	6			10		13						SALEABLE		NOT AVAILABLE	NOT AVAILABLE
KEY B, LIGHT GRAY, W/O CPA	34985-4134	B-LG	GC	PLR		M	R							7			11			14				SALEABLE		NOT AVAILABLE	NOT AVAILABLE
KEY B, LIGHT GRAY, W/O CPA	34985-4135	B-LG	GC	PLR		M	R													14				SALEABLE		NOT AVAILABLE	NOT AVAILABLE
KEY B, LIGHT GRAY, W/O CPA	34985-4136	B-LG	GC	PLR		M	R							7		10	11	12	13	14				SALEABLE		NOT AVAILABLE	NOT AVAILABLE
KEY B, LIGHT GRAY, W/O CPA	34985-4137	B-LG	GC	PLR		M	R				4									14				SALEABLE		NOT AVAILABLE	NOT AVAILABLE
KEY B, LIGHT GRAY, W/O CPA	34985-4138	B-LG	GC	PLR		M	R				4			7			11			14				SALEABLE		NOT AVAILABLE	NOT AVAILABLE
KEY B, LIGHT GRAY, W/O CPA	34985-4139	B-LG	GC	PLR		M	R				4			7		10	11	12	13	14				SALEABLE		NOT AVAILABLE	NOT AVAILABLE
KEY B, LIGHT GRAY, W/O CPA	34985-4140	B-LG	GC	PLR		M	R								10	11	12	13					SALEABLE		NOT AVAILABLE	NOT AVAILABLE	
KEY B, LIGHT GRAY, W/O CPA	34985-4141	B-LG	GC	PLR		M	R															15		SALEABLE		NOT AVAILABLE	NOT AVAILABLE
KEY A, BLACK, W/CPA	34985-4142	A-BLK	GC	PLR	CPA	M	R		2		4			7		10		12				15		SALEABLE		NOT AVAILABLE	NOT AVAILABLE
KEY A, BLACK, W/O CPA	34985-4143	A-BLK	GC	PLR		M	R				4	5		7				12	13					SALEABLE		NOT AVAILABLE	NOT AVAILABLE
KEY A, BLACK, W/O CPA	34985-4144	A-BLK	GC	PLR		M	R				3		5	6		10			13	14				SALEABLE		NOT AVAILABLE	NOT AVAILABLE
KEY A, BLACK, W/O CPA	34985-4145	A-BLK	GC	PLR		M	R				3				10			13	14					SALEABLE		NOT AVAILABLE	NOT AVAILABLE
KEY A, BLACK, W/O CPA	34985-4146	A-BLK	GC	PLR		M	R		2			5	6							14	15			SALEABLE		NOT AVAILABLE	NOT AVAILABLE
KEY A, BLACK, W/O CPA	34985-4147	A-BLK	GC	PLR		M	R				3	4	5	6	7		10	11						SALEABLE		NOT AVAILABLE	NOT AVAILABLE
KEY A, BLACK, W/O CPA	34985-4148	A-BLK	GC	PLR		M	R		2			6				10	11	12						SALEABLE		NOT AVAILABLE	NOT AVAILABLE
KEY A, BLACK, W/O CPA	34985-4149	A-BLK	GC	PLR		M	R				4		6	7		10								SALEABLE		NOT AVAILABLE	NOT AVAILABLE
KEY A, BLACK, W/O CPA	34985-4150	A-BLK	GC	PLR		M	R				3	4		7			11	12			14	15		SALEABLE		NOT AVAILABLE	NOT AVAILABLE
KEY A, BLACK, W/O CPA	34985-4151	A-BLK	GC	PLR		M	R		2		4	5	6			10	11			14	15			SALEABLE		NOT AVAILABLE	NOT AVAILABLE
KEY A, BLACK, W/O CPA	34985-4152	A-BLK	GC	PLR		M	R		2		4	5	6							14	15			SALEABLE		NOT AVAILABLE	NOT AVAILABLE
KEY A, BLACK, W/O CPA	34985-4153	A-BLK	GC	PLR		M	R		2		4									14	15			SALEABLE		NOT AVAILABLE	NOT AVAILABLE
KEY A, BLACK, W/O CPA	34985-4154	A-BLK	GC	PLR		M	R				4	5	6			10	11			14	15			SALEABLE		NOT AVAILABLE	NOT AVAILABLE

MX150 16 WAY HYBRID RECEPTACLE SEALED ASSEMBLY MAT SEAL (WITH CLIPSLOT, 2.8mm CAVITIES OPEN)  
BOM AND PIN OUT SHEET



ABBREVIATION	DESCRIPTION	COLOR	MATERIAL
A-BLK-CLIP	HOUSING, KEYING OPTION A WITH CLIPSLOT	BLACK	SPS/NYLON GF20
B-LG-CLIP	HOUSING, KEYING OPTION B WITH CLIPSLOT	LIGHT GRAY	SPS/NYLON GF20
C-DG-CLIP	HOUSING, KEYING OPTION C WITH CLIPSLOT	DARK GRAY	SPS/NYLON GF20
D-SG-CLIP	HOUSING, KEYING OPTION D WITH CLIPSLOT	STONE GRAY	SPS/NYLON GF20
A-YW-CLIP	HOUSING, KEYING OPTION A WITH CLIPSLOT	YELLOW	SPS/NYLON GF20
E-BLK-CLIP	HOUSING, KEYING OPTION E WITH CLIPSLOT	BLACK	SPS/NYLON GF20
F-LG-CLIP	HOUSING, KEYING OPTION F WITH CLIPSLOT	LIGHT GRAY	SPS/NYLON GF20
G-DG-CLIP	HOUSING, KEYING OPTION G WITH CLIPSLOT	DARK GRAY	SPS/NYLON GF20
H-YW-CLIP	HOUSING, KEYING OPTION H WITH CLIPSLOT	YELLOW	SPS/NYLON GF20
GC	GROMMET CAP	BLACK	SPS/NYLON GF20
PLR	STANDARD PLR	NATURAL	SPS/NYLON GF20
PLR-SB	SHORTING BAR PLR	NATURAL	PBT GF15
CPA	CPA	RED	PBT GF20
M	MAT SEAL	ROYAL BLUE	INHERENTLY LUBRICATED SILICONE
R	RING SEAL	GREEN	INHERENTLY LUBRICATED SILICONE

FOR ADDITIONAL INFORMATION SEE SD-34985-8001

ASSEMBLY DESCRIPTION	ASSEMBLY PART NUMBER	COMPONENT						BLOCKED TERMINALS																STATUS	COMMENTS	OPTIONAL ATTACHMENTS SOLD SEPERATELY				
		THE PRESENCE OF AN ABBREVIATION INDICATES THE PRESENCE OF THAT COMPONENT.						CAVITY WITH A NUMBER INDICATES BLOCKED TERMINAL POSITION CAVITY WITHOUT A NUMBER INDICATES OPEN TERMINAL POSITION																		BACKSHELL WITH RIBS	BACKSHELL WITHOUT RIBS			
		HOUSING KEY/COLOR	GROMMET CAP	PLR	CPA	MAT SEAL	RING SEAL	1	2	3	4	5	6	7	8	9	10	11	12	13	14	15	16							
KEY E, BLACK, W/ CLIPSLOT, W/ SHRT BAR, W/O CPA	34985-1713	E-BLK-CLIP	GC	PLR-SB		M	R																				SALEABLE		349521611	NOT AVAILABLE
KEY A, BLACK, W/ CLIPSLOT, W/O CPA	34985-1841	A-BLK-CLIP	GC	PLR		M	R																				SALEABLE		349521611	NOT AVAILABLE
KEY A, BLACK, W/ CLIPSLOT, W/ CPA	34985-1848	A-BLK-CLIP	GC	PLR	CPA	M	R		2																		SALEABLE		349521611	NOT AVAILABLE
KEY A, BLACK, W/ CLIPSLOT, W/ CPA	34985-1849	A-BLK-CLIP	GC	PLR	CPA	M	R																				SALEABLE		349521611	NOT AVAILABLE
KEY A, BLACK, W/ CLIPSLOT, W/O CPA	34985-1850	A-BLK-CLIP	GC	PLR		M	R																				SALEABLE		349521611	NOT AVAILABLE
KEY F, LIGHT GRAY, W/ CLIPSLOT, W/ SHRT BAR, W/O CPA	34985-1851	F-LG-CLIP	GC	PLR-SB		M	R		2	3					6	7											SALEABLE		349521611	NOT AVAILABLE
KEY F, LIGHT GRAY, W/ CLIPSLOT, W/ SHRT BAR, W/O CPA	34985-1852	F-LG-CLIP	GC	PLR-SB		M	R								6												SALEABLE		349521611	NOT AVAILABLE
KEY F, LIGHT GRAY, W/ CLIPSLOT, W/ SHRT BAR, W/O CPA	34985-1853	F-LG-CLIP	GC	PLR-SB		M	R								6												SALEABLE		349521611	NOT AVAILABLE
KEY F, LIGHT GRAY, W/ CLIPSLOT, W/ SHRT BAR, W/O CPA	34985-1854	F-LG-CLIP	GC	PLR-SB		M	R								6												SALEABLE		349521611	NOT AVAILABLE
KEY F, LIGHT GRAY, W/ CLIPSLOT, W/ SHRT BAR, W/O CPA	34985-1855	F-LG-CLIP	GC	PLR-SB		M	R								6												SALEABLE		349521611	NOT AVAILABLE
KEY F, LIGHT GRAY, W/ CLIPSLOT, W/ SHRT BAR, W/O CPA	34985-1856	F-LG-CLIP	GC	PLR-SB		M	R								6												SALEABLE		349521611	NOT AVAILABLE
KEY F, LIGHT GRAY, W/ CLIPSLOT, W/ SHRT BAR, W/O CPA	34985-1857	F-LG-CLIP	GC	PLR-SB		M	R								6												SALEABLE		349521611	NOT AVAILABLE
KEY F, LIGHT GRAY, W/ CLIPSLOT, W/ SHRT BAR, W/O CPA	34985-1858	F-LG-CLIP	GC	PLR-SB		M	R								6												SALEABLE		349521611	NOT AVAILABLE
KEY F, LIGHT GRAY, W/ CLIPSLOT, W/ SHRT BAR, W/O CPA	34985-1859	F-LG-CLIP	GC	PLR-SB		M	R								6												SALEABLE		349521611	NOT AVAILABLE
KEY F, LIGHT GRAY, W/ CLIPSLOT, W/ SHRT BAR, W/O CPA	34985-1860	F-LG-CLIP	GC	PLR-SB		M	R								6												SALEABLE		349521611	NOT AVAILABLE
KEY A, BLACK, W/ CLIPSLOT, W/O CPA	34985-1861	A-BLK-CLIP	GC	PLR		M	R		2	3	4																SALEABLE		349521611	NOT AVAILABLE
KEY E, BLACK, W/ CLIPSLOT, W/ SHRT BAR, W/O CPA	34985-1862	E-BLK-CLIP	GC	PLR-SB		M	R		2																		SALEABLE		349521611	NOT AVAILABLE
KEY E, BLACK, W/ CLIPSLOT, W/ SHRT BAR, W/O CPA	34985-1875	E-BLK-CLIP	GC	PLR-SB		M	R																				SALEABLE		349521611	NOT AVAILABLE
KEY E, BLACK, W/ CLIPSLOT, W/ SHRT BAR, W/O CPA	34985-1876	E-BLK-CLIP	GC	PLR-SB		M	R								6	7											SALEABLE		349521611	NOT AVAILABLE
KEY E, BLACK, W/ CLIPSLOT, W/ SHRT BAR, W/O CPA	34985-1877	E-BLK-CLIP	GC	PLR-SB		M	R								6												SALEABLE		349521611	NOT AVAILABLE
KEY E, BLACK, W/ CLIPSLOT, W/ SHRT BAR, W/O CPA	34985-1878	E-BLK-CLIP	GC	PLR-SB		M	R																				SALEABLE		349521611	NOT AVAILABLE
KEY A, BLACK, W/ CLIPSLOT, W/O CPA	34985-1881	A-BLK-CLIP	GC	PLR		M	R								6	7											SALEABLE		349521611	NOT AVAILABLE
KEY A, BLACK, W/ CLIPSLOT, W/O CPA	34985-1891	A-BLK-CLIP	GC	PLR		M	R								2	3											SALEABLE		349521611	NOT AVAILABLE
KEY E, BLACK, W/ CLIPSLOT, W/ SHRT BAR, W/O CPA	34985-1892	E-BLK-CLIP	GC	PLR-SB		M	R								2	3											SALEABLE		349521611	NOT AVAILABLE
KEY E, BLACK, W/ CLIPSLOT, W/ SHRT BAR, W/O CPA	34985-1893	E-BLK-CLIP	GC	PLR-SB		M	R																				SALEABLE		349521611	NOT AVAILABLE
KEY F, LIGHT GRAY, W/ CLIPSLOT, W/ SHRT BAR, W/O CPA	34985-1894	F-LG-CLIP	GC	PLR-SB		M	R																				SALEABLE		349521611	NOT AVAILABLE
KEY H, YELLOW, W/ CLIPSLOT, W/ SHRT BAR, W/O CPA	34985-1895	H-YW-CLIP	GC	PLR-SB		M	R																				SALEABLE		349521611	NOT AVAILABLE
KEY H, YELLOW, W/ CLIPSLOT, W/ SHRT BAR, W/O CPA	34985-1896	H-YW-CLIP	GC	PLR-SB		M	R																				SALEABLE		349521611	NOT AVAILABLE
KEY F, LIGHT GRAY, W/ CLIPSLOT, W/ SHRT BAR, W/O CPA	34985-1897	F-LG-CLIP	GC	PLR-SB		M	R								6	7											SALEABLE		349521611	NOT AVAILABLE
KEY F, LIGHT GRAY, W/ CLIPSLOT, W/ SHRT BAR, W/O CPA	34985-1898	F-LG-CLIP	GC	PLR-SB		M	R								6												SALEABLE		349521611	NOT AVAILABLE
KEY H, YELLOW, W/ CLIPSLOT, W/ SHRT BAR, W/O CPA	34985-1899	H-YW-CLIP	GC	PLR-SB		M	R								6	7											SALEABLE		349521611	NOT AVAILABLE
KEY H, YELLOW, W/ CLIPSLOT, W/ SHRT BAR, W/O CPA	34985-1900	H-YW-CLIP	GC	PLR-SB		M	R								6												SALEABLE		349521611	NOT AVAILABLE
KEY A, BLACK, W/ CLIPSLOT, W/O CPA	34985-1909	A-BLK-CLIP	GC	PLR		M	R								2	3											SALEABLE		349521611	NOT AVAILABLE
KEY A, BLACK, W/ CLIPSLOT, W/O CPA	34985-1910	A-BLK-CLIP	GC	PLR		M	R								2												SALEABLE		349521611	NOT AVAILABLE
KEY A, BLACK, W/ CLIPSLOT, W/O CPA	34985-1911	A-BLK-CLIP	GC	PLR		M	R								2												SALEABLE		349521611	NOT AVAILABLE
KEY A, BLACK, W/ CLIPSLOT, W/O CPA	34985-1912	A-BLK-CLIP	GC	PLR		M	R								2	3											SALEABLE		349521611	NOT AVAILABLE
KEY A, BLACK, W/ CLIPSLOT, W/O CPA	34985-1913	A-BLK-CLIP	GC	PLR		M	R								2												SALEABLE		349521611	NOT AVAILABLE
KEY A, BLACK, W/ CLIPSLOT, W/O CPA	34985-1914	A-BLK-CLIP	GC	PLR		M	R								2	3											SALEABLE		349521611	NOT AVAILABLE
KEY A, BLACK, W/ CLIPSLOT, W/O CPA	34985-1917	A-BLK-CLIP	GC	PLR		M	R																				SALEABLE		349521611	NOT AVAILABLE
KEY A, BLACK, W/ CLIPSLOT, W/O CPA	34985-1919	A-BLK-CLIP	GC	PLR		M	R																				SALEABLE		349521611	NOT AVAILABLE
KEY A, BLACK, W/ CLIPSLOT, W/O CPA	34985-1920	A-BLK-CLIP	GC	PLR		M	R																				SALEABLE		349521611	NOT AVAILABLE
KEY A, BLACK, W/ CLIPSLOT, W/O CPA	34985-1921	A-BLK-CLIP	GC	PLR		M	R								5	6											SALEABLE		349521611	NOT AVAILABLE
KEY A, BLACK, W/ CLIPSLOT, W/O CPA	34985-1922	A-BLK-CLIP	GC	PLR		M	R																				SALEABLE		349521611	NOT AVAILABLE
KEY A, BLACK, W/ CLIPSLOT, W/O CPA	34985-1923	A-BLK-CLIP	GC	PLR		M	R																				SALEABLE		349521611	NOT AVAILABLE
KEY A, BLACK, W/ CLIPSLOT, W/O CPA	34985-1935	A-BLK-CLIP	GC	PLR		M	R								2	3	4										SALEABLE		349521611	NOT AVAILABLE
KEY A, BLACK, W/ CLIPSLOT, W/O CPA	34985-1945	A-BLK-CLIP	GC	PLR		M	R																				SALEABLE		349521611	NOT AVAILABLE
KEY A, BLACK, W/ CLIPSLOT, W/O CPA	34985-1948	A-BLK-CLIP	GC	PLR		M	R								2												SALEABLE		349521611	NOT AVAILABLE
KEY A, BLACK, W/ CLIPSLOT, W/O CPA	34985-1953	A-BLK-CLIP	GC	PLR		M	R																				SALEABLE		349521611	NOT AVAILABLE
KEY A, BLACK, W/ CLIPSLOT, W/O CPA	34985-1954	A-BLK-CLIP	GC	PLR		M	R																				SALEABLE		349521611	NOT AVAILABLE
KEY H, YELLOW, W/ CLIPSLOT, W/ SHRT BAR, W/ CPA	34985-1955	H-YW-CLIP	GC	PLR-SB	CPA	M	R																				SALEABLE		349521611	NOT AVAILABLE
KEY A, BLACK, W/ CLIPSLOT, W/O CPA	34985-1958	A-BLK-CLIP	GC	PLR		M	R								2												SALEABLE		349521611	NOT AVAILABLE
KEY A, BLACK, W/ CLIPSLOT, W/O CPA	34985-1959	A-BLK-CLIP	GC	PLR		M	R																				SALEABLE		349521611	NOT AVAILABLE
KEY A, BLACK, W/ CLIPSLOT, W/O CPA	34985-1977	A-BLK-CLIP	GC	PLR		M	R																				SALEABLE		349521611	NOT AVAILABLE
KEY A, BLACK, W/ CLIPSLOT, W/O CPA	34985-1978	A-BLK-CLIP	GC	PLR		M	R																				SALEABLE		349521611	NOT AVAILABLE
KEY A, BLACK, W/ CLIPSLOT, W/O CPA	34985-1981	A-BLK-CLIP	GC	PLR		M	R																				SALEABLE		349521611	NOT AVAILABLE
KEY E, BLACK, W/ CLIPSLOT, W/ SHRT BAR, W/O CPA	34985-1982	E-BLK-CLIP	GC	PLR-SB		M	R								2	3											SALEABLE		349521611	NOT AVAILABLE
KEY F																														

MX150 16 WAY HYBRID RECEPTACLE SEALED ASSEMBLY MAT SEAL (WITH CLIPSLOT, 2.8mm CAVITIES OPEN)  
BOM AND PIN OUT SHEET

ASSEMBLY DESCRIPTION	ASSEMBLY PART NUMBER	COMPONENT							BLOCKED TERMINALS																STATUS	COMMENTS	OPTIONAL ATTACHMENTS SOLD SEPERATELY							
		THE PRESENCE OF AN ABBREVIATION INDICATES THE PRESENCE OF THAT COMPONENT.							CAVITY WITH A NUMBER INDICATES BLOCKED TERMINAL POSITION CAVITY WITHOUT A NUMBER INDICATES OPEN TERMINAL POSITION																		BACKSHELL WITH RIBS	BACKSHELL WITHOUT RIBS						
		HOUSING KEY/COLOR	GROMMET CAP	PLR	CPA	MAT SEAL	RING SEAL	1	2	3	4	5	6	7	8	9	10	11	12	13	14	15	16											
KEY A, BLACK, W/ CLIPSLOT, W/O CPA	34985-2055	A-BLK-CLIP	GC	PLR		M	R				3	4			6								10	11	12	13		15	SALEABLE		349521611	NOT AVAILABLE		
KEY A, BLACK, W/ CLIPSLOT, W/O CPA	34985-2056	A-BLK-CLIP	GC	PLR		M	R				3	4			6	7							10	11	12	13		15	SALEABLE		349521611	NOT AVAILABLE		
KEY A, BLACK, W/ CLIPSLOT, W/O CPA	34985-2057	A-BLK-CLIP	GC	PLR		M	R																10	11			14		15	SALEABLE		349521611	NOT AVAILABLE	
KEY A, BLACK, W/ CLIPSLOT, W/O CPA	34985-2058	A-BLK-CLIP	GC	PLR		M	R								6	7							10	11	12	13	14	15	SALEABLE		349521611	NOT AVAILABLE		
KEY A, BLACK, W/ CLIPSLOT, W/O CPA	34985-2059	A-BLK-CLIP	GC	PLR		M	R				2													11	12	13				SALEABLE		349521611	NOT AVAILABLE	
KEY A, BLACK, W/ CLIPSLOT, W/O CPA	34985-2064	A-BLK-CLIP	GC	PLR		M	R								6	7									12	13	14	15	SALEABLE		349521611	NOT AVAILABLE		
KEY A, BLACK, W/ CLIPSLOT, W/O CPA	34985-2065	A-BLK-CLIP	GC	PLR		M	R				2				6	7									12	13	14	15	SALEABLE		349521611	NOT AVAILABLE		
KEY A, BLACK, W/ CLIPSLOT, W/O CPA	34985-2066	A-BLK-CLIP	GC	PLR		M	R					3	4	5									10	11		13	14	15	SALEABLE		349521611	NOT AVAILABLE		
KEY A, BLACK, W/ CLIPSLOT, W/O CPA	34985-2070	A-BLK-CLIP	GC	PLR		M	R																10	11	12		14		SALEABLE		349521611	NOT AVAILABLE		
KEY B, LIGHT GRAY, W/ CLIPSLOT, W/O CPA	34985-2071	B-LG-CLIP	GC	PLR		M	R																						SALEABLE		349521611	NOT AVAILABLE		
KEY B, LIGHT GRAY, W/ CLIPSLOT, W/O CPA	34985-2072	B-LG-CLIP	GC	PLR		M	R				2	3	4	5	6	7							10	11	12	13	14	15	SALEABLE		349521611	NOT AVAILABLE		
KEY B, LIGHT GRAY, W/ CLIPSLOT, W/O CPA	34985-2103	B-LG-CLIP	GC	PLR		M	R																						SALEABLE		349521611	NOT AVAILABLE		
KEY B, LIGHT GRAY, W/ CLIPSLOT, W/O CPA	34985-2104	B-LG-CLIP	GC	PLR		M	R																				13		SALEABLE		349521611	NOT AVAILABLE		
KEY A, BLACK, W/ CLIPSLOT, W/O CPA	34985-2105	A-BLK-CLIP	GC	PLR		M	R				2				5	6									12	13	14	15	SALEABLE		349521611	NOT AVAILABLE		
KEY A, BLACK, W/ CLIPSLOT, W/O CPA	34985-2108	A-BLK-CLIP	GC	PLR		M	R				2	3	4										10	11	12	13	14	15	SALEABLE		349521611	NOT AVAILABLE		
KEY A, BLACK, W/ CLIPSLOT, W/O CPA	34985-2109	A-BLK-CLIP	GC	PLR		M	R				2															12	13	14	15	SALEABLE		349521611	NOT AVAILABLE	
KEY A, BLACK, W/ CLIPSLOT, W/O CPA	34985-2114	A-BLK-CLIP	GC	PLR		M	R					3	4	5									10	11	12	13	14	15	SALEABLE		349521611	NOT AVAILABLE		
KEY A, BLACK, W/ CLIPSLOT, W/O CPA	34985-2122	A-BLK-CLIP	GC	PLR		M	R																						SALEABLE		349521611	NOT AVAILABLE		
KEY A, BLACK, W/ CLIPSLOT, W/O CPA	34985-2123	A-BLK-CLIP	GC	PLR		M	R				2	3	4	5	6								10	11	12	13	14	15	SALEABLE		349521611	NOT AVAILABLE		
KEY A, BLACK, W/ CLIPSLOT, W/O CPA	34985-2124	A-BLK-CLIP	GC	PLR		M	R																10				14	15	SALEABLE		349521611	NOT AVAILABLE		
KEY H, YELLOW, W/ CLIPSLOT, W/CPA	34985-2127	H-YW-CLIP	GC	PLR	CPA	M	R				2	3																	SALEABLE		349521611	NOT AVAILABLE		
KEY A, BLACK, W/ CLIPSLOT, W/O CPA	34985-2128	A-BLK-CLIP	GC	PLR		M	R				2	3			5	6									11		14	15	SALEABLE		349521611	NOT AVAILABLE		
KEY H, YELLOW, W/ CLIPSLOT, W/ SHRT BAR, W/CPA	34985-2129	H-YW-CLIP	GC	PLR-SB	CPA	M	R				2																		SALEABLE		349521611	NOT AVAILABLE		
KEY A, BLACK, W/ CLIPSLOT, W/O CPA	34985-2130	A-BLK-CLIP	GC	PLR		M	R				2												10	11	12	13	14	15	SALEABLE		349521611	NOT AVAILABLE		
KEY A, YELLOW, W/ CLIPSLOT, W/O CPA	34985-2133	A-YW-CLIP	GC	PLR		M	R				2																		SALEABLE		349521611	NOT AVAILABLE		
KEY F, LIGHT GRAY, W/ CLIPSLOT, W/ SHRT BAR, W/O CPA	34985-2134	F-LG-CLIP	GC	PLR-SB		M	R					4	5	6	7								10	11	12	13	14	15	SALEABLE		349521611	NOT AVAILABLE		
KEY F, LIGHT GRAY, W/ CLIPSLOT, W/ SHRT BAR, W/O CPA	34985-2135	F-LG-CLIP	GC	PLR-SB		M	R				2	3																	SALEABLE		349521611	NOT AVAILABLE		
KEY F, LIGHT GRAY, W/ CLIPSLOT, W/ SHRT BAR, W/O CPA	34985-2136	F-LG-CLIP	GC	PLR-SB		M	R																						SALEABLE		349521611	NOT AVAILABLE		
KEY A, BLACK, W/ CLIPSLOT, W/O CPA	34985-2137	A-BLK-CLIP	GC	PLR		M	R				2	3	4	5	6									11				15	SALEABLE		349521611	NOT AVAILABLE		
KEY A, BLACK, W/ CLIPSLOT, W/O CPA	34985-2139	A-BLK-CLIP	GC	PLR		M	R				2	3	4	5	6	7							10	11	12	13	14	15	SALEABLE		349521611	NOT AVAILABLE		
KEY B, LIGHT GRAY, W/ CLIPSLOT, W/O CPA	34985-2141	B-LG-CLIP	GC	PLR		M	R																					13		SALEABLE		349521611	NOT AVAILABLE	
KEY E, BLACK, W/ CLIPSLOT, W/ SHRT BAR, W/O CPA	34985-2201	E-BLK-CLIP	GC	PLR-SB		M	R																						SALEABLE		349521611	NOT AVAILABLE		
KEY F, LIGHT GRAY, W/ CLIPSLOT, W/ SHRT BAR, W/O CPA	34985-2202	F-LG-CLIP	GC	PLR-SB		M	R					2	3														13	14	15	SALEABLE		349521611	NOT AVAILABLE	
KEY F, LIGHT GRAY, W/ CLIPSLOT, W/ SHRT BAR, W/O CPA	34985-2203	F-LG-CLIP	GC	PLR-SB		M	R																						SALEABLE		349521611	NOT AVAILABLE		
KEY F, LIGHT GRAY, W/ CLIPSLOT, W/ SHRT BAR, W/O CPA	34985-2204	F-LG-CLIP	GC	PLR-SB		M	R				2	3																	SALEABLE		349521611	NOT AVAILABLE		
KEY F, LIGHT GRAY, W/ CLIPSLOT, W/ SHRT BAR, W/O CPA	34985-2205	F-LG-CLIP	GC	PLR-SB		M	R																				12		SALEABLE		349521611	NOT AVAILABLE		
KEY F, LIGHT GRAY, W/ CLIPSLOT, W/ SHRT BAR, W/O CPA	34985-2206	F-LG-CLIP	GC	PLR-SB		M	R				2													10	11	12			SALEABLE		349521611	NOT AVAILABLE		
KEY F, LIGHT GRAY, W/ CLIPSLOT, W/ SHRT BAR, W/O CPA	34985-2207	F-LG-CLIP	GC	PLR-SB		M	R																						SALEABLE		349521611	NOT AVAILABLE		
KEY F, LIGHT GRAY, W/ CLIPSLOT, W/ SHRT BAR, W/O CPA	34985-2208	F-LG-CLIP	GC	PLR-SB		M	R																			11	12		SALEABLE		349521611	NOT AVAILABLE		
KEY F, LIGHT GRAY, W/ CLIPSLOT, W/ SHRT BAR, W/O CPA	34985-2209	F-LG-CLIP	GC	PLR-SB		M	R				2	3												10					SALEABLE		349521611	NOT AVAILABLE		
KEY F, LIGHT GRAY, W/ CLIPSLOT, W/ SHRT BAR, W/O CPA	34985-2210	F-LG-CLIP	GC	PLR-SB		M	R																						SALEABLE		349521611	NOT AVAILABLE		
KEY F, LIGHT GRAY, W/ CLIPSLOT, W/ SHRT BAR, W/O CPA	34985-2211	F-LG-CLIP	GC	PLR-SB		M	R				2	3	4	5	6								10						SALEABLE		349521611	NOT AVAILABLE		
KEY A, BLACK, W/ CLIPSLOT, W/O CPA	34985-2212	A-BLK-CLIP	GC	PLR		M	R					3	4														13	14	15	SALEABLE		349521611	NOT AVAILABLE	
KEY A, BLACK, W/ CLIPSLOT, W/O CPA	34985-2213	A-BLK-CLIP	GC	PLR		M	R																						SALEABLE		349521611	NOT AVAILABLE		
KEY A, BLACK, W/ CLIPSLOT, W/O CPA	34985-2214	A-BLK-CLIP	GC	PLR		M	R				2	3	4	5	6	7							10	11	12	13	14	15	SALEABLE		349521611	NOT AVAILABLE		
KEY F, LIGHT GRAY, W/ CLIPSLOT, W/ SHRT BAR, W/O CPA	34985-2215	F-LG-CLIP	GC	PLR-SB		M	R				2	3	4	5	6	7							10	11	12	13	14	15	SALEABLE		349521611	NOT AVAILABLE		
KEY A, BLACK, W/ CLIPSLOT, W/O CPA	34985-2216	A-BLK-CLIP	GC	PLR		M	R					3	4	5	6	7							10	11	12	13	14	15	SALEABLE		349521611	NOT AVAILABLE		
KEY A, BLACK, W/ CLIPSLOT, W/O CPA	34985-2217	A-BLK-CLIP	GC	PLR		M	R				2	3	4	5	6	7													SALEABLE		349521611	NOT AVAILABLE		
KEY A, BLACK, W/ CLIPSLOT, W/O CPA	34985-2218	A-BLK-CLIP	GC	PLR		M	R				2	3			5	6	7								11		14	15	SALEABLE		349521611	NOT AVAILABLE		
KEY A, BLACK, W/ CLIPSLOT, W/O CPA	34985-2219	A-BLK-CLIP	GC	PLR		M	R					3			5	6	7											13	14	15	SALEABLE		349521611	NOT AVAILABLE
KEY A, BLACK, W/ CLIPSLOT, W/O CPA	34985-2220	A-BLK-CLIP	GC	PLR		M	R																10	11	12	13	14	15	SALEABLE		349521611	NOT AVAILABLE		
KEY A, BLACK, W/ CLIPSLOT, W/O CPA	34985-2221	A-BLK-CLIP	GC	PLR		M	R				2			4	5								10	11	12	13	14	15	SALEABLE		349521611	NOT AVAILABLE		
KEY A, BLACK, W/ CLIPSLOT, W/O CPA	34985-2222	A-BLK-CLIP	GC	PLR		M	R				2	3	4	5	6	7													SALEABLE		349521611	NOT AVAILABLE		
KEY A, BLACK, W/ CLIPSLOT, W/O CPA	34985-2223	A-BLK-CLIP	GC	PLR		M	R				2	3	4	5	6	7													SALEABLE		349521611	NOT AVAILABLE		
KEY A, BLACK, W/ CLIPSLOT, W/O CPA	34985-2224	A-BLK-CLIP	GC	PLR		M	R				2																		SALEABLE		349521611	NOT AVAILABLE		
KEY A, BLACK, W/ CLIPSLOT, W/O CPA	34985-2225	A-BLK-CLIP	GC	PLR		M	R																	10	11				SALEABLE		349521611	NOT AVAILABLE		
KEY A, BLACK, W/ CLIPSLOT, W/O CPA	34985-2226	A-BLK-CLIP	GC	PLR		M	R					3			5																			



MX150 16 WAY HYBRID RECEPTACLE SEALED ASSEMBLY MAT SEAL (WITH CLIPSLOT, 2.8mm CAVITIES OPEN)  
BOM AND PIN OUT SHEET

ASSEMBLY DESCRIPTION	ASSEMBLY PART NUMBER	COMPONENT							BLOCKED TERMINALS																STATUS	COMMENTS	OPTIONAL ATTACHMENTS SOLD SEPERATELY								
		THE PRESENCE OF AN ABBREVIATION INDICATES THE PRESENCE OF THAT COMPONENT.							CAVITY WITH A NUMBER INDICATES BLOCKED TERMINAL POSITION CAVITY WITHOUT A NUMBER INDICATES OPEN TERMINAL POSITION																		BACKSHELL WITH RIBS	BACKSHELL WITHOUT RIBS							
		HOUSING KEY/COLOR	GROMMET CAP	PLR	CPA	MAT SEAL	RING SEAL	1	2	3	4	5	6	7	8	9	10	11	12	13	14	15	16												
KEY A, BLACK, W/ CLIPSLOT, W/O CPA	34985-2368	A-BLK-CLIP	GC	PLR		M	R			3		5													15	SALEABLE		349521611	NOT AVAILABLE						
KEY A, BLACK, W/ CLIPSLOT, W/O CPA	34985-2369	A-BLK-CLIP	GC	PLR		M	R					5	6	7													SALEABLE		349521611	NOT AVAILABLE					
KEY A, BLACK, W/ CLIPSLOT, W/O CPA	34985-2370	A-BLK-CLIP	GC	PLR		M	R		2			5												10	11	12		14		SALEABLE		349521611	NOT AVAILABLE		
KEY A, BLACK, W/ CLIPSLOT, W/O CPA	34985-2371	A-BLK-CLIP	GC	PLR		M	R					5		7										10	11	12				SALEABLE		349521611	NOT AVAILABLE		
KEY A, BLACK, W/ CLIPSLOT, W/O CPA	34985-2372	A-BLK-CLIP	GC	PLR		M	R		2					7										10	11	12	13	14		SALEABLE		349521611	NOT AVAILABLE		
KEY B, LIGHT GRAY, W/ CLIPSLOT, W/CPA	34985-2373	B-LG-CLIP	GC	PLR	CPA	M	R			3														10	11	12	13	14		SALEABLE		349521611	NOT AVAILABLE		
KEY C, DARK GRAY, W/ CLIPSLOT, W/CPA	34985-2374	C-DG-CLIP	GC	PLR	CPA	M	R					3	4		6	7								10	11	12	13	14	15	SALEABLE		349521611	NOT AVAILABLE		
KEY A, BLACK, W/ CLIPSLOT, W/O CPA	34985-2375	A-BLK-CLIP	GC	PLR		M	R			3	4	5	6											10		12	13	14	15	SALEABLE		349521611	NOT AVAILABLE		
KEY A, BLACK, W/ CLIPSLOT, W/O CPA	34985-2376	A-BLK-CLIP	GC	PLR		M	R				3	4	5	6										10	11	12	13		15	SALEABLE		349521611	NOT AVAILABLE		
KEY A, BLACK, W/ CLIPSLOT, W/O CPA	34985-2377	A-BLK-CLIP	GC	PLR		M	R		2															10						SALEABLE		349521611	NOT AVAILABLE		
KEY A, BLACK, W/ CLIPSLOT, W/O CPA	34985-2378	A-BLK-CLIP	GC	PLR		M	R				3																			SALEABLE		349521611	NOT AVAILABLE		
KEY A, BLACK, W/ CLIPSLOT, W/O CPA	34985-2379	A-BLK-CLIP	GC	PLR		M	R		2	3	4	5	6	7																SALEABLE		349521611	NOT AVAILABLE		
KEY A, BLACK, W/ CLIPSLOT, W/O CPA	34985-2380	A-BLK-CLIP	GC	PLR		M	R		2	3	4	5	6	7										10	11	12	13			SALEABLE		349521611	NOT AVAILABLE		
KEY A, BLACK, W/ CLIPSLOT, W/O CPA	34985-2381	A-BLK-CLIP	GC	PLR		M	R					5		7																SALEABLE		349521611	NOT AVAILABLE		
KEY A, BLACK, W/ CLIPSLOT, W/O CPA	34985-2382	A-BLK-CLIP	GC	PLR		M	R					5												10				14	15	SALEABLE		349521611	NOT AVAILABLE		
KEY A, BLACK, W/ CLIPSLOT, W/O CPA	34985-2383	A-BLK-CLIP	GC	PLR		M	R					5												10	11	12	13			SALEABLE		349521611	NOT AVAILABLE		
KEY A, BLACK, W/ CLIPSLOT, W/O CPA	34985-2384	A-BLK-CLIP	GC	PLR		M	R		2	3		5												10	11	12	13			SALEABLE		349521611	NOT AVAILABLE		
KEY A, BLACK, W/ CLIPSLOT, W/O CPA	34985-2385	A-BLK-CLIP	GC	PLR		M	R		2			5	6	7															15	SALEABLE		349521611	NOT AVAILABLE		
KEY A, BLACK, W/ CLIPSLOT, W/O CPA	34985-2386	A-BLK-CLIP	GC	PLR		M	R				3	5	6											10	11		13		15	SALEABLE		349521611	NOT AVAILABLE		
KEY A, BLACK, W/ CLIPSLOT, W/O CPA	34985-2387	A-BLK-CLIP	GC	PLR		M	R				3	5																		SALEABLE		349521611	NOT AVAILABLE		
KEY A, BLACK, W/ CLIPSLOT, W/O CPA	34985-2388	A-BLK-CLIP	GC	PLR		M	R				3	5	6	7										10	11		13		15	SALEABLE		349521611	NOT AVAILABLE		
KEY A, BLACK, W/ CLIPSLOT, W/O CPA	34985-2389	A-BLK-CLIP	GC	PLR		M	R				3		6	7																SALEABLE		349521611	NOT AVAILABLE		
KEY A, BLACK, W/ CLIPSLOT, W/O CPA	34985-2390	A-BLK-CLIP	GC	PLR		M	R				3		6													12		14		SALEABLE		349521611	NOT AVAILABLE		
KEY A, BLACK, W/ CLIPSLOT, W/O CPA	34985-2391	A-BLK-CLIP	GC	PLR		M	R				3		5		7												13	14	15	SALEABLE		349521611	NOT AVAILABLE		
KEY A, BLACK, W/ CLIPSLOT, W/O CPA	34985-2392	A-BLK-CLIP	GC	PLR		M	R					5		7													13	14	15	SALEABLE		349521611	NOT AVAILABLE		
KEY A, BLACK, W/ CLIPSLOT, W/O CPA	34985-2393	A-BLK-CLIP	GC	PLR		M	R				3	4	5	6	7									10	11	12	13	14	15	SALEABLE		349521611	NOT AVAILABLE		
KEY B, LIGHT GRAY, W/ CLIPSLOT, W/O CPA	34985-2394	B-LG-CLIP	GC	PLR		M	R				3													10	11					SALEABLE		349521611	NOT AVAILABLE		
KEY B, LIGHT GRAY, W/ CLIPSLOT, W/O CPA	34985-2395	B-LG-CLIP	GC	PLR		M	R				3	4	5											10	11		13			SALEABLE		349521611	NOT AVAILABLE		
KEY A, BLACK, W/ CLIPSLOT, W/O CPA	34985-2396	A-BLK-CLIP	GC	PLR		M	R																				12				SALEABLE		349521611	NOT AVAILABLE	
KEY A, BLACK, W/ CLIPSLOT, W/O CPA	34985-2397	A-BLK-CLIP	GC	PLR		M	R																						15	SALEABLE		349521611	NOT AVAILABLE		
KEY A, BLACK, W/ CLIPSLOT, W/O CPA	34985-2398	A-BLK-CLIP	GC	PLR		M	R							7													14	15		SALEABLE		349521611	NOT AVAILABLE		
KEY A, BLACK, W/ CLIPSLOT, W/O CPA	34985-2399	A-BLK-CLIP	GC	PLR		M	R					5														11	12		15	SALEABLE		349521611	NOT AVAILABLE		
KEY A, BLACK, W/ CLIPSLOT, W/O CPA	34985-2400	A-BLK-CLIP	GC	PLR		M	R				3	4																	15	SALEABLE		349521611	NOT AVAILABLE		
KEY B, LIGHT GRAY, W/ CLIPSLOT, W/O CPA	34985-2401	B-LG-CLIP	GC	PLR		M	R																	10		12	13	14	15	SALEABLE		349521611	NOT AVAILABLE		
KEY B, LIGHT GRAY, W/ CLIPSLOT, W/O CPA	34985-2402	B-LG-CLIP	GC	PLR		M	R							7													13			SALEABLE		349521611	NOT AVAILABLE		
KEY A, BLACK, W/ CLIPSLOT, W/O CPA	34985-2403	A-BLK-CLIP	GC	PLR		M	R					5	6	7															15	SALEABLE		349521611	NOT AVAILABLE		
KEY A, BLACK, W/ CLIPSLOT, W/O CPA	34985-2404	A-BLK-CLIP	GC	PLR		M	R				3	4	5																	SALEABLE		349521611	NOT AVAILABLE		
KEY A, BLACK, W/ CLIPSLOT, W/O CPA	34985-2405	A-BLK-CLIP	GC	PLR		M	R					5	6											10		12	13			SALEABLE		349521611	NOT AVAILABLE		
KEY A, BLACK, W/ CLIPSLOT, W/O CPA	34985-2406	A-BLK-CLIP	GC	PLR		M	R					5	6											10		12	13	14	15	SALEABLE		349521611	NOT AVAILABLE		
KEY A, BLACK, W/ CLIPSLOT, W/O CPA	34985-2407	A-BLK-CLIP	GC	PLR		M	R					5	6																	SALEABLE		349521611	NOT AVAILABLE		
KEY A, BLACK, W/ CLIPSLOT, W/O CPA	34985-2408	A-BLK-CLIP	GC	PLR		M	R					5	6	7													11	12	13		SALEABLE		349521611	NOT AVAILABLE	
KEY A, BLACK, W/ CLIPSLOT, W/O CPA	34985-2409	A-BLK-CLIP	GC	PLR		M	R							7													11	12	13	14	15	SALEABLE		349521611	NOT AVAILABLE
KEY A, BLACK, W/ CLIPSLOT, W/O CPA	34985-2410	A-BLK-CLIP	GC	PLR		M	R							7															14	SALEABLE		349521611	NOT AVAILABLE		
KEY A, BLACK, W/ CLIPSLOT, W/O CPA	34985-2411	A-BLK-CLIP	GC	PLR		M	R				3		5		7												11	12	13	14	15	SALEABLE		349521611	NOT AVAILABLE
KEY A, BLACK, W/ CLIPSLOT, W/O CPA	34985-2412	A-BLK-CLIP	GC	PLR		M	R																			10	11	12			SALEABLE		349521611	NOT AVAILABLE	
KEY A, BLACK, W/ CLIPSLOT, W/O CPA	34985-2413	A-BLK-CLIP	GC	PLR		M	R				3																		14	SALEABLE		349521611	NOT AVAILABLE		
KEY B, LIGHT GRAY, W/ CLIPSLOT, W/O CPA	34985-2414	B-LG-CLIP	GC	PLR		M	R				3	4	5	6	7										10	11	12	13	14	15	SALEABLE		349521611	NOT AVAILABLE	
KEY B, LIGHT GRAY, W/ CLIPSLOT, W/O CPA	34985-2415	B-LG-CLIP	GC	PLR		M	R					4	5		7										10	11				SALEABLE		349521611	NOT AVAILABLE		
KEY A, BLACK, W/ CLIPSLOT, W/O CPA	34985-2416	A-BLK-CLIP	GC	PLR		M	R																				10	11		13		SALEABLE		349521611	NOT AVAILABLE
KEY A, BLACK, W/ CLIPSLOT, W/O CPA	34985-2417	A-BLK-CLIP	GC	PLR		M	R				3			6	7											10	11		14	15	SALEABLE		349521611	NOT AVAILABLE	