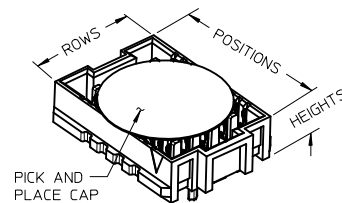
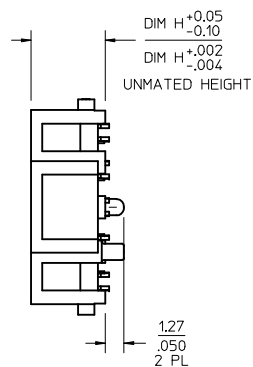
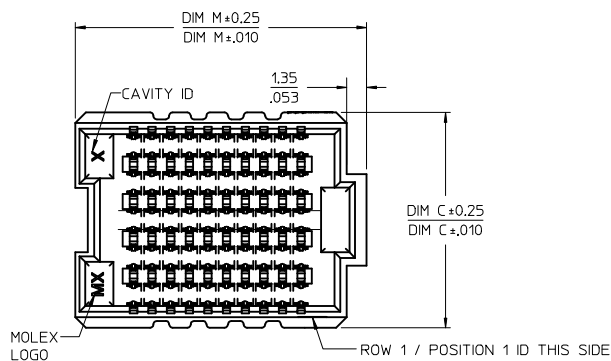


10 ROW  
10 POSITION  
SHOWN



POSITION	
10	0.15/.006
20	0.15/.006
30	0.15/.006
40	0.15/.006
50	0.15/.006
15	0.15/.006
25	0.15/.006
35	0.23/.009
45	0.23/.009

ROWS: 10				
DIM R: (REF)	5.0 MM	6.5 MM	7.5 MM	
DIM H:	5.04/.199	6.55/.258	7.54/.297	
POSITION	DIM M	MATERIAL NO	MATERIAL NO	MATERIAL NO
20	32.52/1.282		45971-2311	
30	45.26/1.782	45971-3111		
40	57.96/2.282			45971-4411

MATED STACK HEIGHTS  
(GIVEN IN MILLIMETERS FOR REFERENCE ONLY)

INITIAL RELEASE EC NO: UCP2015-1206 DRAWN: RWHIPPLE 2014/10/24 CHKD: DMORGAN 2014/10/24 APPR: SMILLER 2015/01/05	QUALITY SYMBOLS	GENERAL TOLERANCES (UNLESS SPECIFIED)	DIMENSION STYLE	SCALE	DESIGN UNITS	THIRD ANGLE PROJECTION												
	$\nabla=0$ $\nabla=0$ $\nabla=0$	<table border="1"> <tr><th>mm</th><th>INCH</th></tr> <tr><td>4 PLACES ± ---</td><td>± ---</td></tr> <tr><td>3 PLACES ± ---</td><td>± .010</td></tr> <tr><td>2 PLACES ± 0.25</td><td>± .015</td></tr> <tr><td>1 PLACE ± 0.38</td><td>± ---</td></tr> <tr><td>0 PLACE ±</td><td>±</td></tr> </table>	mm	INCH	4 PLACES ± ---	± ---	3 PLACES ± ---	± .010	2 PLACES ± 0.25	± .015	1 PLACE ± 0.38	± ---	0 PLACE ±	±	MM/IN	3:1	INCH	
	mm	INCH																
	4 PLACES ± ---	± ---																
3 PLACES ± ---	± .010																	
2 PLACES ± 0.25	± .015																	
1 PLACE ± 0.38	± ---																	
0 PLACE ±	±																	
DESCRIPTION	ANGULAR ± ---° DRAFT WHERE APPLICABLE MUST REMAIN WITHIN DIMENSIONS	DRAWN BY DATE RWHIPPLE 2014/10/24 CHECKED BY DATE DMORGAN 2014/10/24 APPROVED BY DATE SMILLER 2015/01/05	TITLE	SEARAY RECEPTACLE ASSY 1.27/.050 CENTERS TRAY PACKAGING														
REV		MATERIAL NO.	SEE TABLE	DOCUMENT NO.	RSD-45971-002	SHEET NO. 1 OF 2												
A		SIZE	B	THIS DRAWING CONTAINS INFORMATION THAT IS PROPRIETARY TO MOLEX INCORPORATED AND SHOULD NOT BE USED WITHOUT WRITTEN PERMISSION														

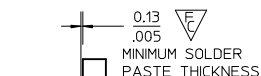
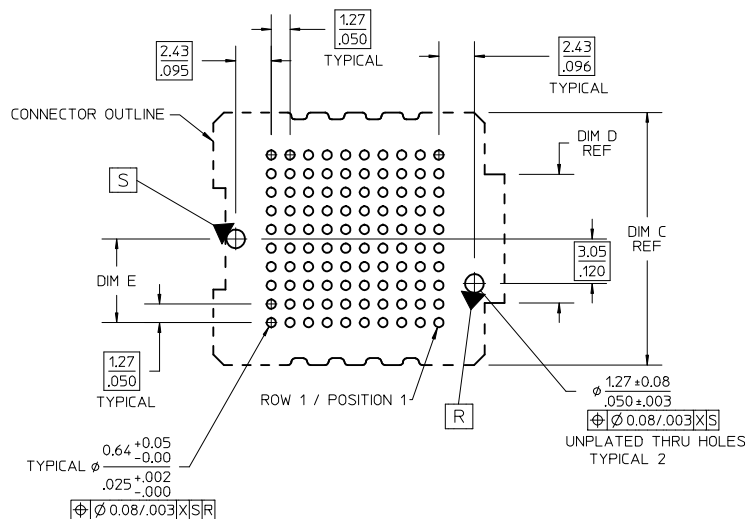
NOTES:

- MATERIALS: HOUSING: LCP, GLASS FILLED, UL94V-0, BLACK  
CONTACTS: COPPER ALLOY  
SOLDER CHARGE: 95.5% TIN, 3.8% SILVER, 0.7% COPPER
- FINISH: SELECT GOLD IN CONTACT AREA: 30 MICROINCH MINIMUM  
SELECT TIN IN TAIL, 50 MICROINCH MINIMUM  
OVERALL - NICKEL UNDERPLATE OVERALL
- PRODUCT SPECIFICATION: PS-45970-001
- PACKAGING SPECIFICATION: TRAY PACK PK-45971-001
- MATES WITH SEARAY PLUG ASSEMBLY 45970
- APPLICATION SPECIFICATION: AS-45970-001
- COSMETIC SPECIFICATION: PS-45499-002 CLASS B
- PART STATUS: CONTACT MOLEX

10 9 8 7 6 5 4 3 2 1

NO OF ROWS	DIM C	DIM D	DIM E
8	12.14/.478	3.70/.146	4.44/.175
10	14.68/.578	6.24/.246	5.71/.225

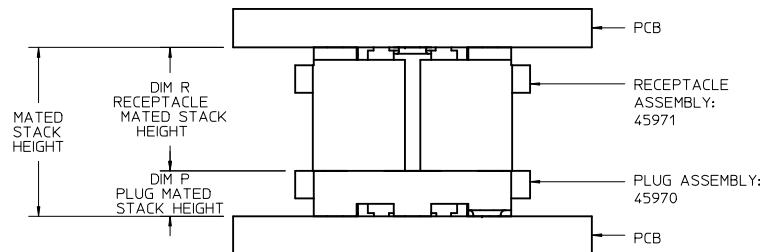
10 ROW  
10 POSITION  
SHOWN



RECOMMENDED PCB LAYOUT: COMPONENT SIDE  
SOLDER SCREEN APERTURE SIZE: .890/.035 DIAMETER  
PCB THICKNESS: NA

		DIM R RECEPTACLE STACK HEIGHT			
	MM	5.0	6.5	7.5	
DIM P PLUG STACK HEIGHT	2.0	7.0	8.5	9.5	
	3.0	8.0	9.5	10.5	
	3.5	8.5	10.0	11.0	
	2.5	7.5	9.0	10.0	
	4.5	9.5	11.0	12.0	
	5.0	10.0	11.5	12.5	
	7.0	12.0	13.5	14.5	

MATED STACK HEIGHTS  
GIVEN IN MILLIMETERS (MM) FOR REFERENCE ONLY



MATED STACK HEIGHTS  
(GIVEN IN MILLIMETERS FOR REFERENCE ONLY)

SEE SHEET 1 EC NO: UCP2015-1206 DRWN:RWHIPPLE 2014/10/24 CHKD:DMORGAN 2014/10/24 APPR:SMILLER 2015/01/05	QUALITY SYMBOLS	GENERAL TOLERANCES (UNLESS SPECIFIED)	DIMENSION STYLE	SCALE	DESIGN UNITS	THIRD ANGLE PROJECTION
	$\nabla F=0$	mm INCH	MM/IN	3:1	INCH	
	$\nabla F=2$	4 PLACES ± --- ± ---	DRAWN BY DATE	TITLE SEARAY RECEPTACLE ASSY 1.27/.050 CENTERS TRAY PACKAGING		
	$\nabla F=0$	3 PLACES ± --- ± .010	RWHIPPLE 2014/10/24			
	2 PLACES ± 0.25 ± .015	CHECKED BY DATE	DOCUMENT NO. RSD-45971-002 SHEET NO. 2 OF 2			
	1 PLACE ± 0.38 ± ---	DMORGAN 2014/10/24				
	0 PLACE ± ±	APPROVED BY DATE	MATERIAL NO. SEE TABLE SHEET 1			
	ANGULAR ± --- °	SMILLER 2015/01/05				
	DRAFT WHERE APPLICABLE MUST REMAIN WITHIN DIMENSIONS		SIZE B	THIS DRAWING CONTAINS INFORMATION THAT IS PROPRIETARY TO MOLEX INCORPORATED AND SHOULD NOT BE USED WITHOUT WRITTEN PERMISSION		

9 8 7 6 5 4 3 2 1