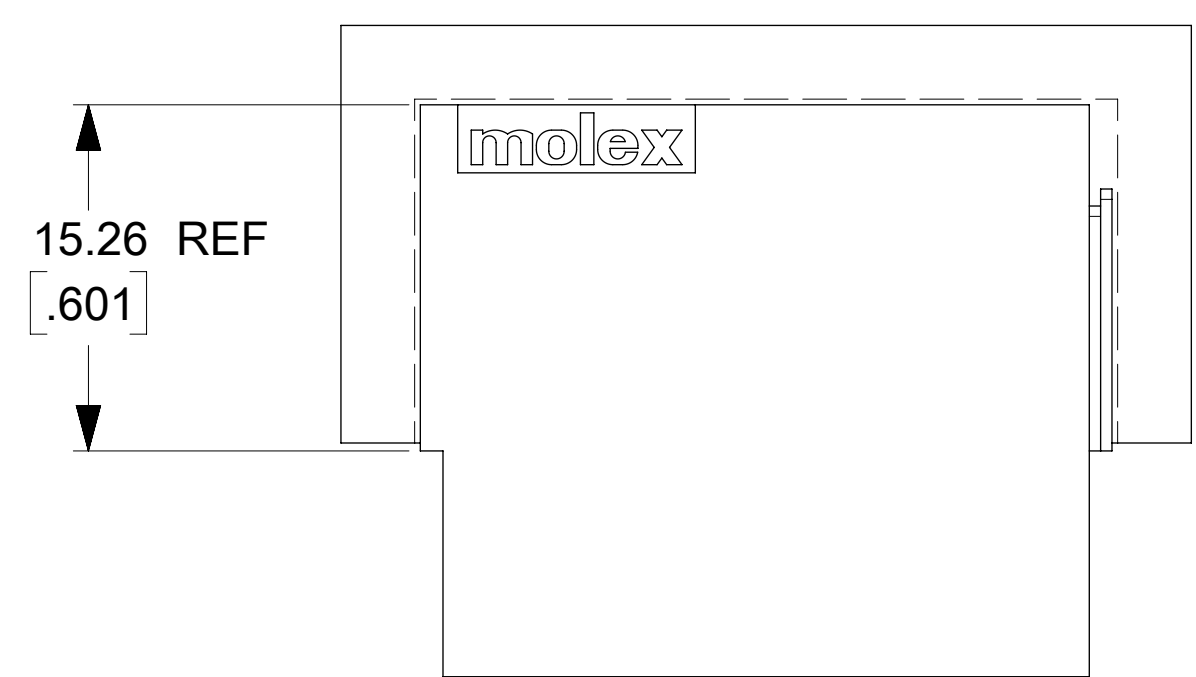
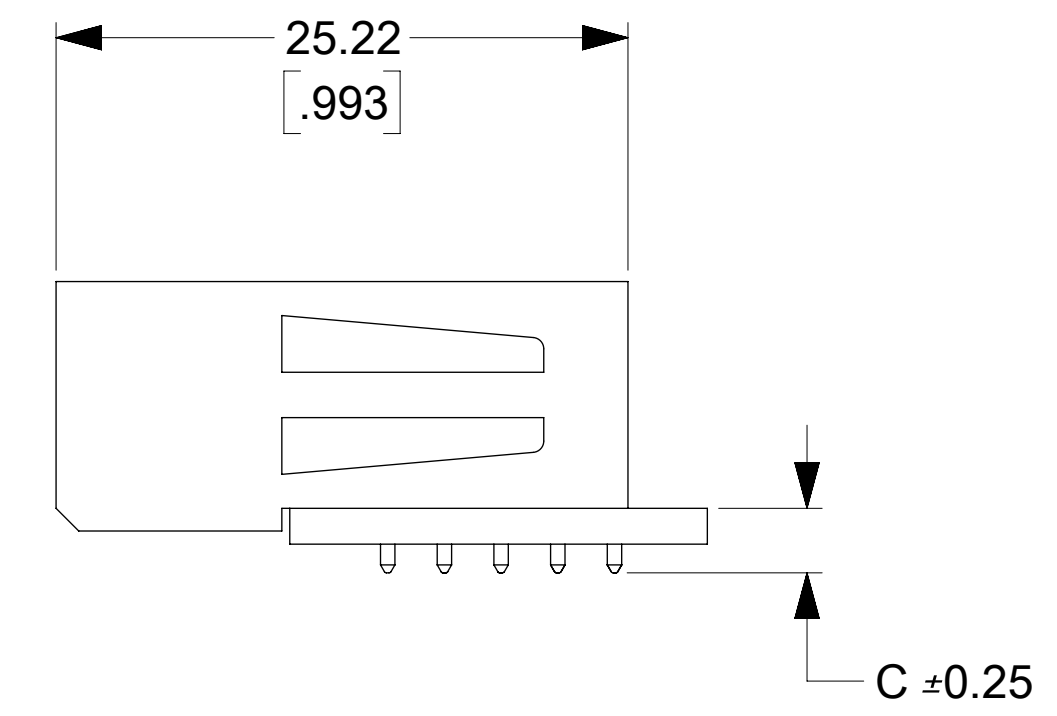
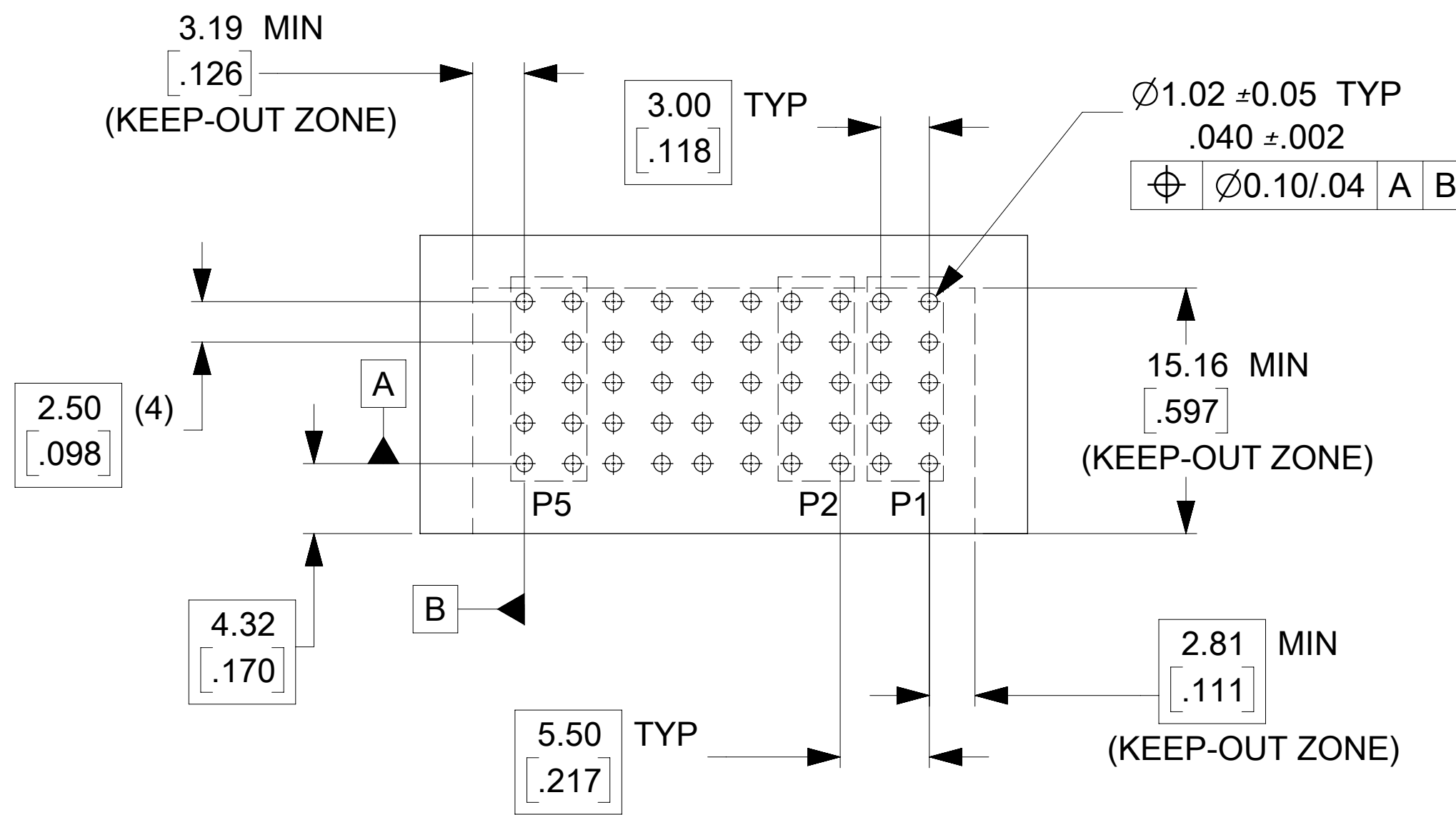


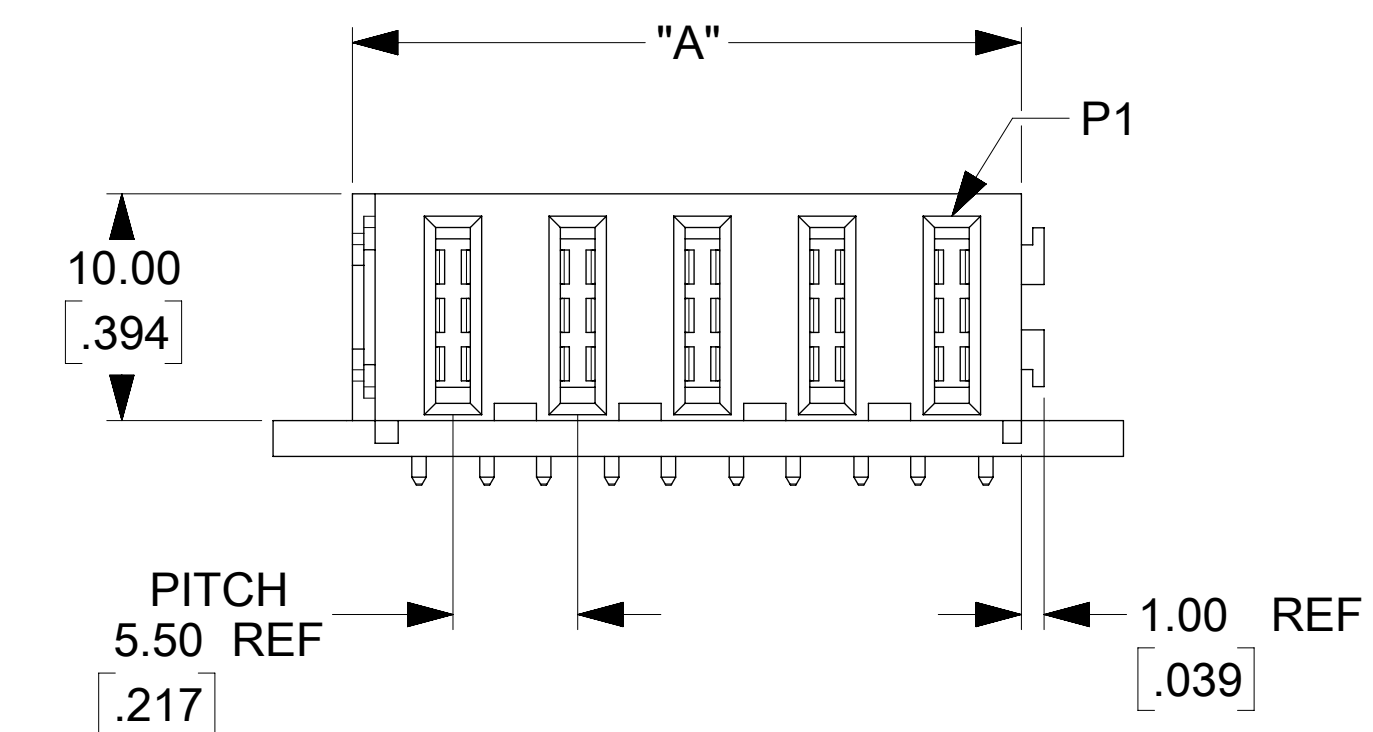
# CKT	STANDARD SOLDER TAILS			LONG SOLDER TAILS			PRESS FIT TAILS		
	PART NUMBER	DIM "A" ±0.25/ ±.010	DIM "C" ±0.25/ ±.010	PART NUMBER	DIM "A" ±0.25/ ±.010	DIM "C" ±0.25/ ±.010	PART NUMBER	DIM "A" ±0.25/ ±.010	DIM "C" ±0.25/ ±.010
10	46436-9010	57.00/2.244	2.84/.112	46436-9110	57.00/2.244	3.61/.142	46436-9210	57.00/2.244	3.28/.129 (COMPLAINT TAILS DESIGNED FOR MIN. 1.58/ .062" THICK PCB)
9	46436-9009	51.50/2.028		46436-9109	51.50/2.028		46436-9209	51.50/2.028	
8	46436-9008	46.00/1.811		46436-9108	46.00/1.811		46436-9208	46.00/1.811	
7	46436-9007	40.50/1.594		46436-9107	40.50/1.594		46436-9207	40.50/1.594	
6	46436-9006	35.00/1.378		46436-9106	35.00/1.378		46436-9206	35.00/1.378	
5	46436-9005	29.50/1.161		46436-9105	29.50/1.161		46436-9205	29.50/1.161	
4	46436-9004	24.00/.945		46436-9104	24.00/.945		46436-9204	24.00/.945	
3	46436-9003	18.50/.728		46436-9103	18.50/.728		46436-9203	18.50/.728	
2	46436-9002	13.00/.512		46436-9102	13.00/.512		46436-9202	13.00/.512	
1	46436-9001	7.50/.295		46436-9101	7.50/.295		46436-9201	7.50/.295	



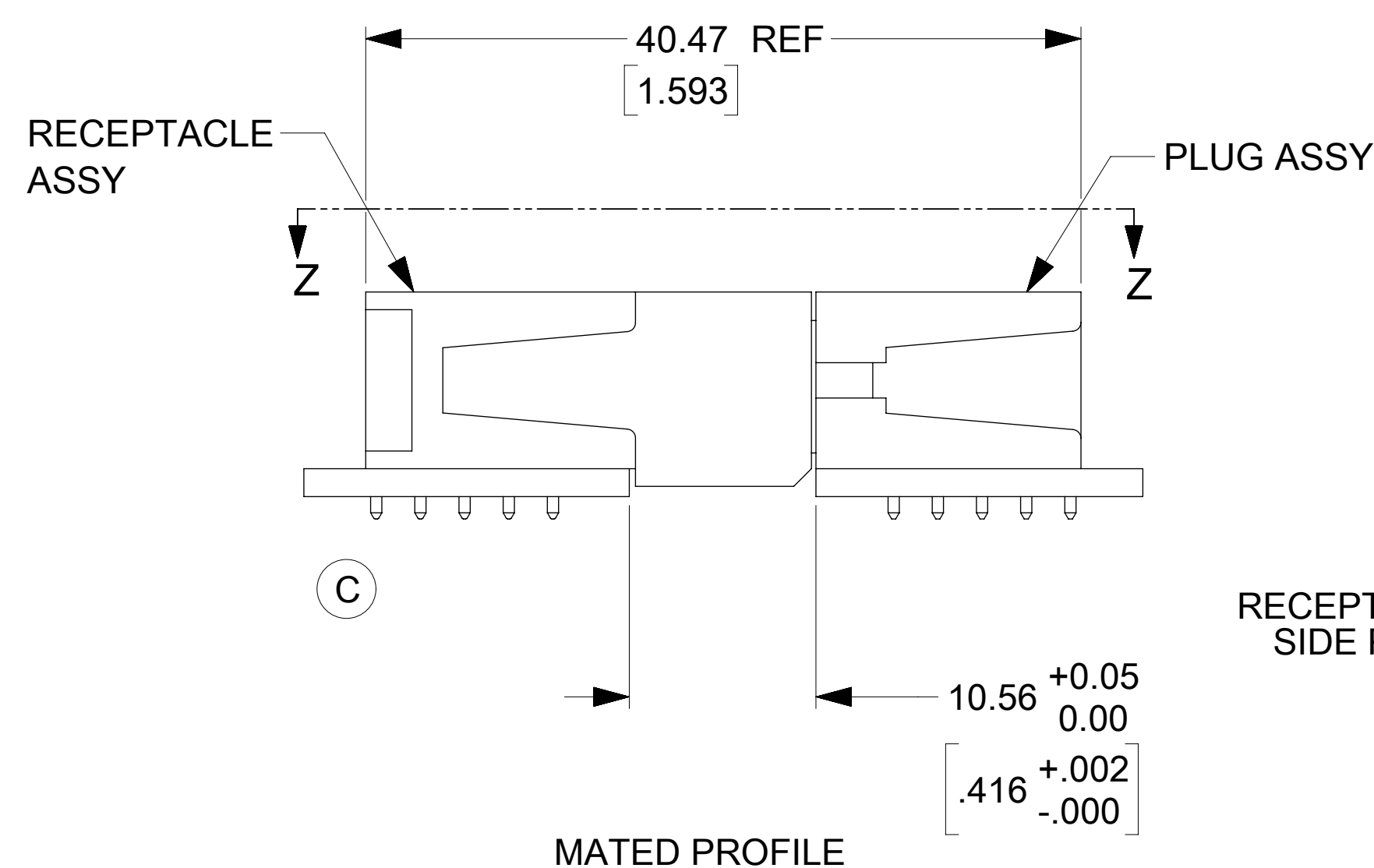
P/N: 46436-9005 SHOWN



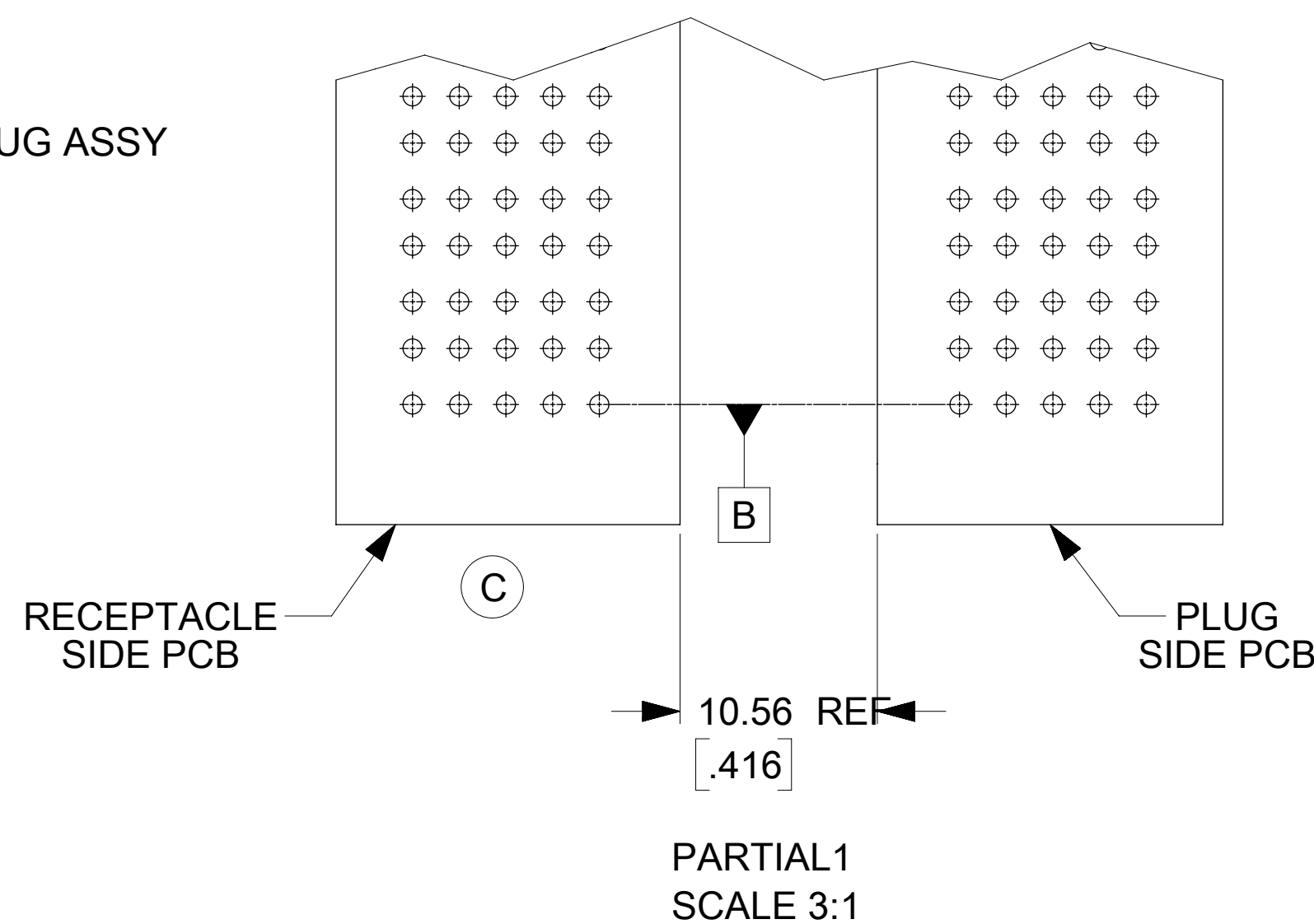
RECOMMENDED LAYOUT AND KEEP-OUT ZONE



P/N: 46436-9005 SHOWN



MATED PROFILE



PARTIAL1
SCALE 3:1

NOTES:

- MATERIAL:
 - HOUSINGS: LCP UL-94, V-0, COLOR: BLACK.
 - TERMINALS: COPPER ALLOY.
 - PLATING: 0.00127/.000050 NICKEL OVERALL WITH 0.00254/.000100 SELECTIVE MATTE TIN ON TAILS AND 0.000762/.000030 SELECTIVE GOLD ON CONTACT AREA.
- PACKAGING: ASSEMBLIES TO BE TRAY PACKED PER PACKAGING SPEC: PK-46436-001
- PRODUCT SPEC: PS-46436-100.
- APPLICATION SPEC: AS-46436-100. (FOR COMPLAINT TAIL ONLY)
- ASSEMBLY MATES TO MOLEX PLUG ASSEMBLY 46437- SERIES: CONTACT MOLEX FOR DETAILS.
- TAIL TYPE: SOLDER TAIL / COMPLAINT TAIL

THIS DRAWING CONTAINS INFORMATION THAT IS PROPRIETARY TO MOLEX ELECTRONIC TECHNOLOGIES, LLC AND SHOULD NOT BE USED WITHOUT WRITTEN PERMISSION									
DIMENSION UNITS	SCALE	CURRENT REV DESC: REMASTERED IN ECTR							
mm	3:1								
GENERAL TOLERANCES (UNLESS SPECIFIED)									
ANGULAR TOL	± 0.5°	EC NO: 612362							
4 PLACES	±	DRWN: YVENKATESWAR 2019/02/22							
3 PLACES	±	CHK'D: YVENKATESWAR 2019/02/26							
2 PLACES	± 0.25	APPR: HTHYAGARAJ 2019/03/11							
1 PLACE	± 0.25	INITIAL REVISION:							
0 PLACES	±	DRWN: BKOSTIC 2010/06/30							
DRAFT WHERE APPLICABLE MUST REMAIN WITHIN DIMENSIONS		THIRD ANGLE PROJECTION		DRAWING		SERIES		MATERIAL NUMBER	
		D-SIZE		46436		SD-46436-9000		PSD 001 C1	
DOCUMENT STATUS		RELEASE DATE		CUSTOMER		SHEET NUMBER			
P1		2019/03/11 09:39:55		GENERAL MARKET		1 OF 1			