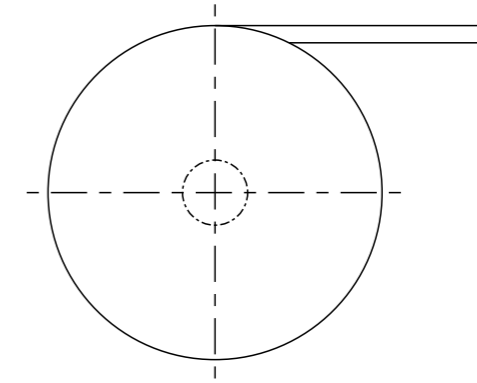
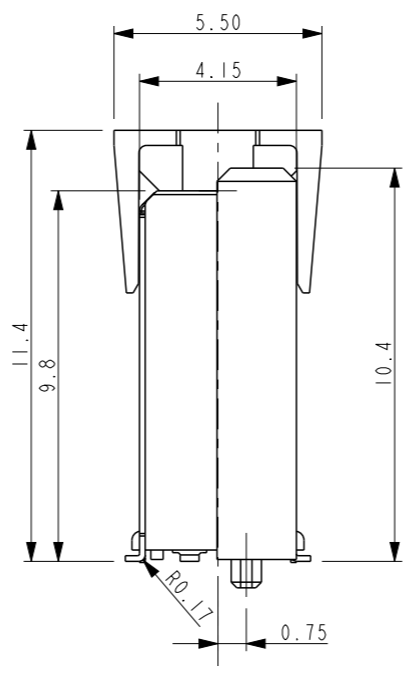
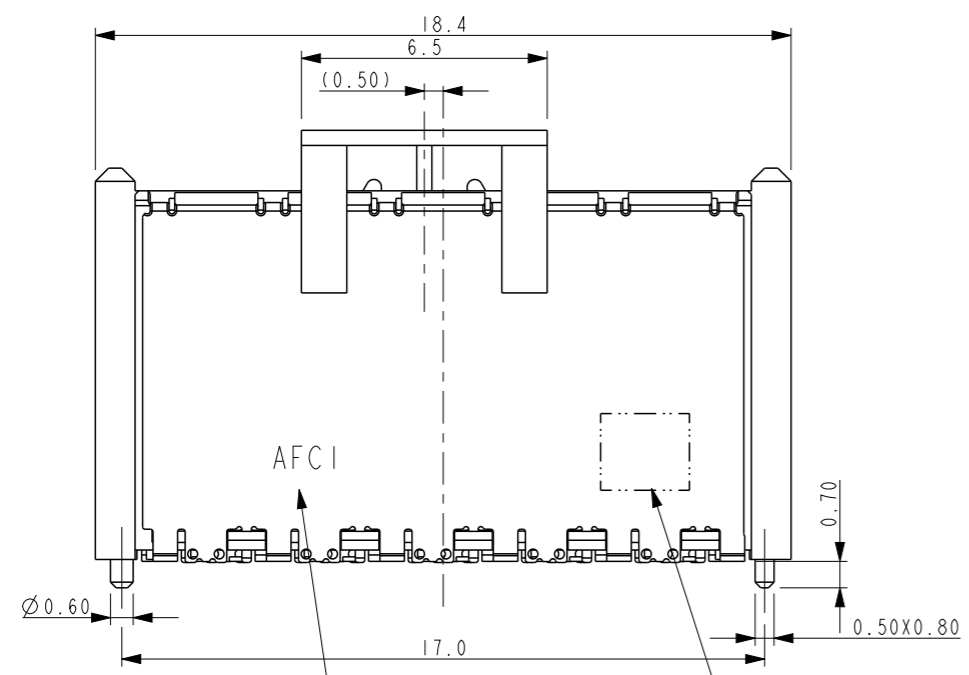
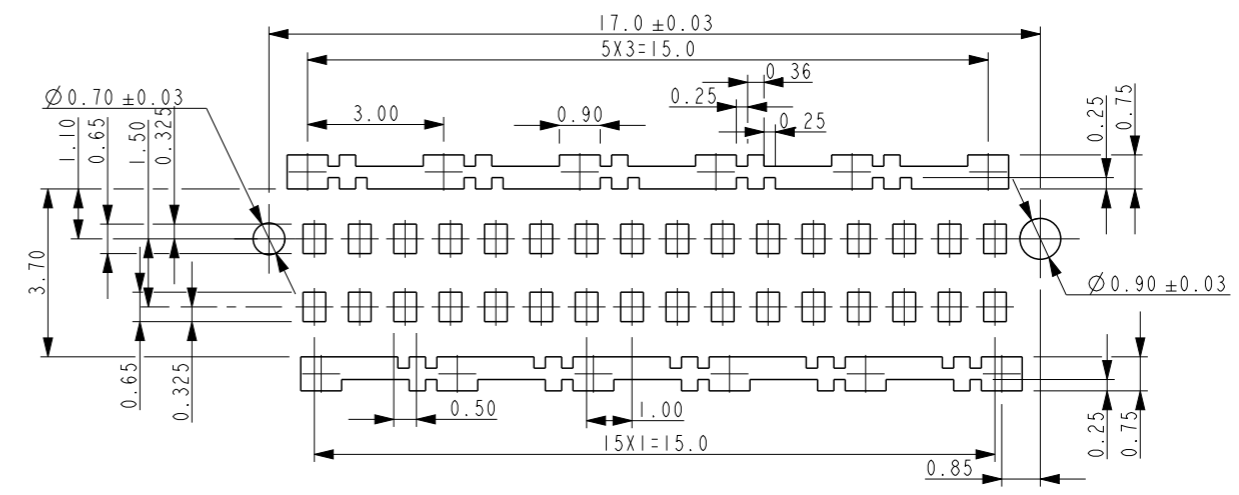
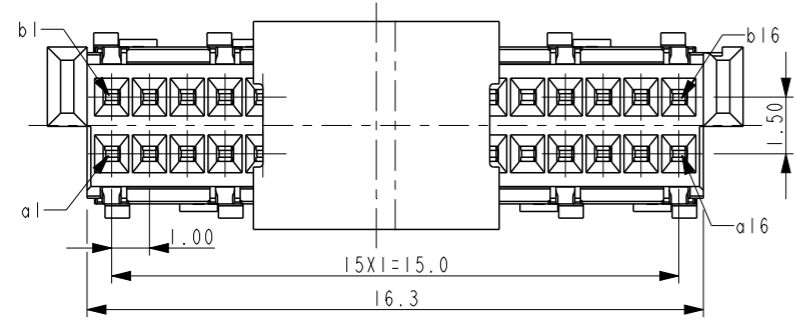


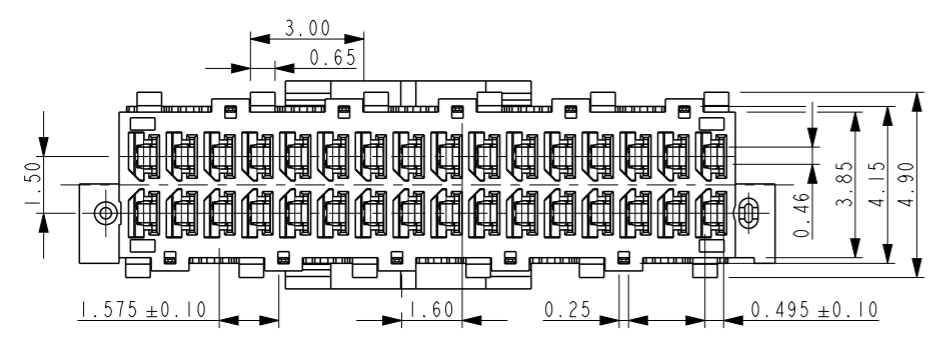
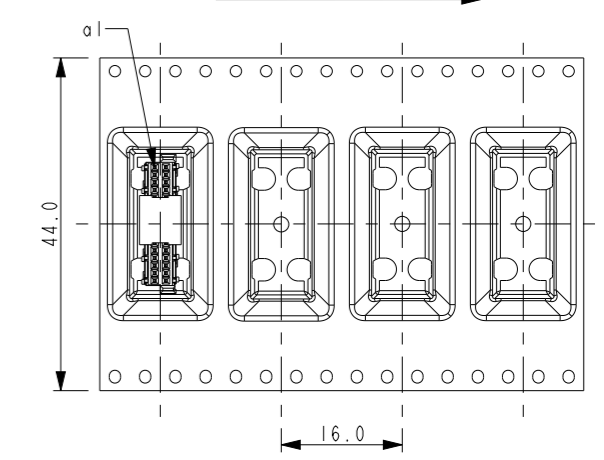
PRODUCT NO.
10150097-3200RLF

PCB LAYOUT PROPOSAL



Package Description:
1. External diameter of Reel: $\varnothing 330$
2. Leader 400mm/ Trailer 160mm
3. Packageing unit: 260 pcs/Reel

Reel off direction →



Note

1. Material:
 - 1.1 Housing and Cap: LCP 30%GF, E130I Black, Ticona
 - 2.2 Terminal and shield: CuSn6
2. Plating: 1-3 μ m Ni under plating, 2-4 μ m Sn on solder area, 0.65 μ m PdNi, 0.10 μ m Au on mating area.
3. Coplanarity area of Termination 0.10mm Max (/1)

- (/1) Inspection level 1: control chart required
Proof of process capability or 100% test if process capability is not achieved
- (/2) Inspection level 2 and 3: control chart required
Proof of mean value, standard deviation and machine capability
- (/3) Proof of values or proof of attributive test

Amphenol FCI

© 2016 AFCI

spec ref	*	dr	Hao-Liang Sun	2018/11/27	projection	mm	size	A3	scale	5:1	
tolerance std	TOLERANCES UNLESS OTHERWISE SPECIFIED	eng	LI-Qing Lei	2020/10/09			ecn no	ELX-N-38561-1			
		chr	-				rel level	Released			
surface	linear	appr	Tim Yao	2020/10/09	product family		dwg no	10150097		rev	B
ASME Y14.5	angular										