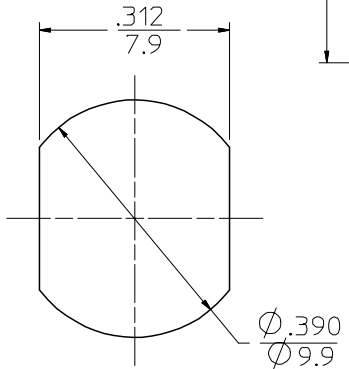
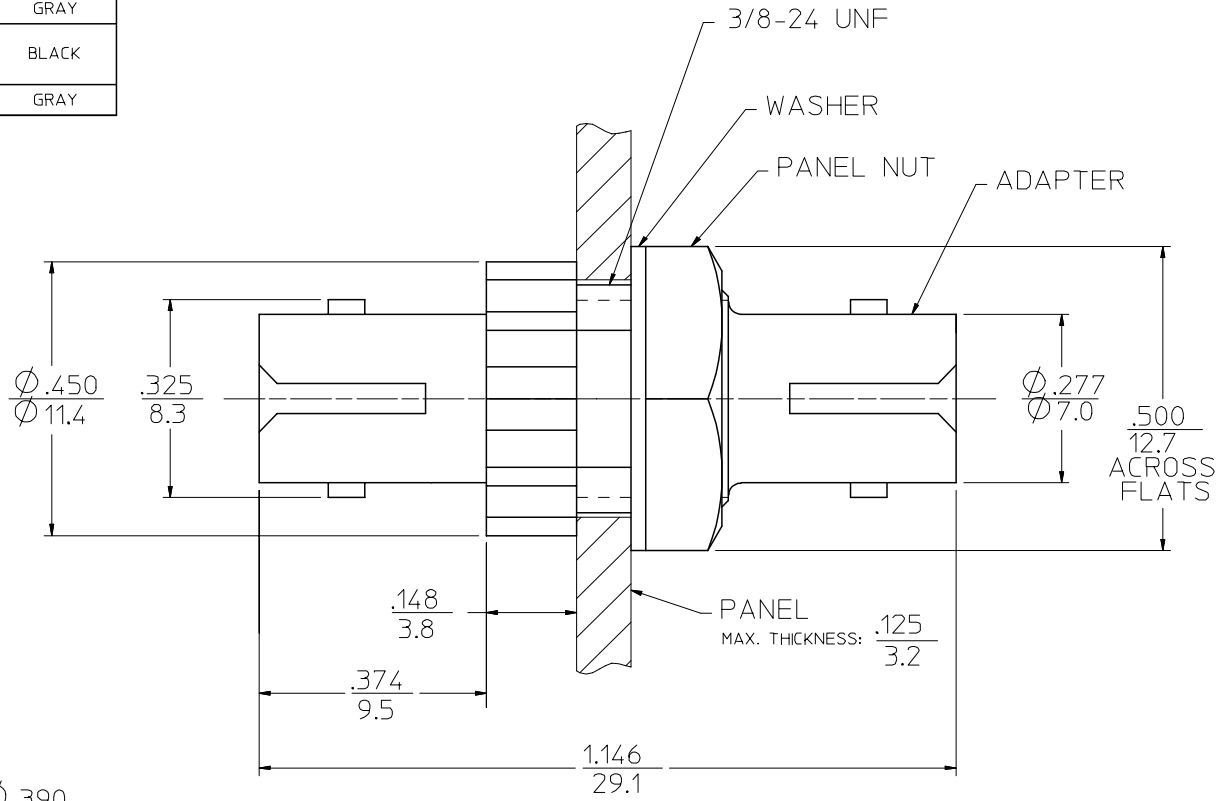


P/N of ADAPTER	MATERIAL of SLEEVE	COLOR of DUST CAP	COLOR of BODY
106110-0000	CERAMIC	BLACK	BLACK
106196-0430		RED	BLACK
106110-0040		BLACK	YELLOW
106110-0090			GRAY
106112-0000	PHOSPHOR BRONZE	RED	BLACK
106113-0000	PLASTIC		BLACK
106113-0090			GRAY



RECOMMENDED MOUNTING HOLE

ENTER DESCRIPTION EC NO: MF2007-0165 DRWNG: DRWNGKPEVZNER CHKD: 2006/09/07 APPR: IGUMIN 2006/09/11 REV B1	QUALITY SYMBOLS ▽=0 ▽=0	GENERAL TOLERANCES (UNLESS SPECIFIED) mm INCH 4 PLACES ± --- ± --- 3 PLACES ± --- ± --- 2 PLACES ± --- ± --- 1 PLACE ± --- ± --- ANGULAR ±1/2°	DIMENSION STYLE IN/MM DRAWN BY PGIBL IN DATE 2005/10/18 CHECKED BY DATE APPROVED BY DATE	SCALE 4:1 DESIGN UNITS INCH THIRD ANGLE PROJECTION	TITLE ST TYPE ADAPTER
	DRAFT WHERE APPLICABLE MUST REMAIN WITHIN DIMENSIONS		MATERIAL NO. SEE TABLE SIZE B	DOCUMENT NO. SD-10611X-00X0 MOLEX INCORPORATED	SHEET NO. 1 OF 1
	THIS DRAWING CONTAINS INFORMATION THAT IS PROPRIETARY TO MOLEX INCORPORATED AND SHOULD NOT BE USED WITHOUT WRITTEN PERMISSION				
	MILEX INCORPORATED				