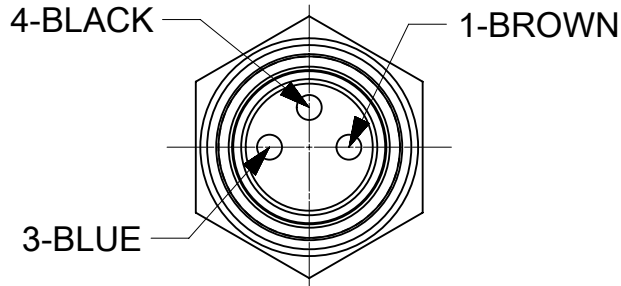
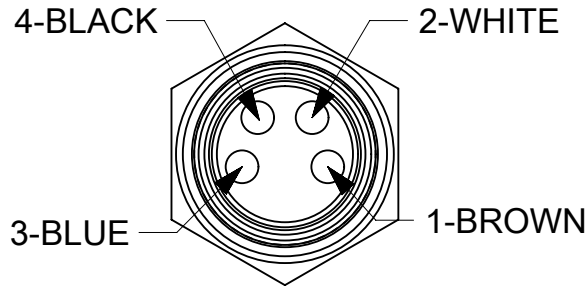


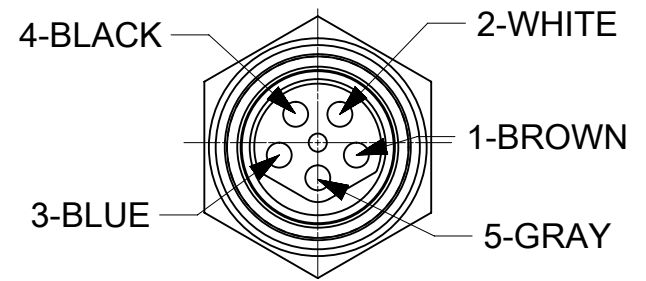
M8 3POLE MALE



M8 4POLE MALE



M8 5POLE MALE

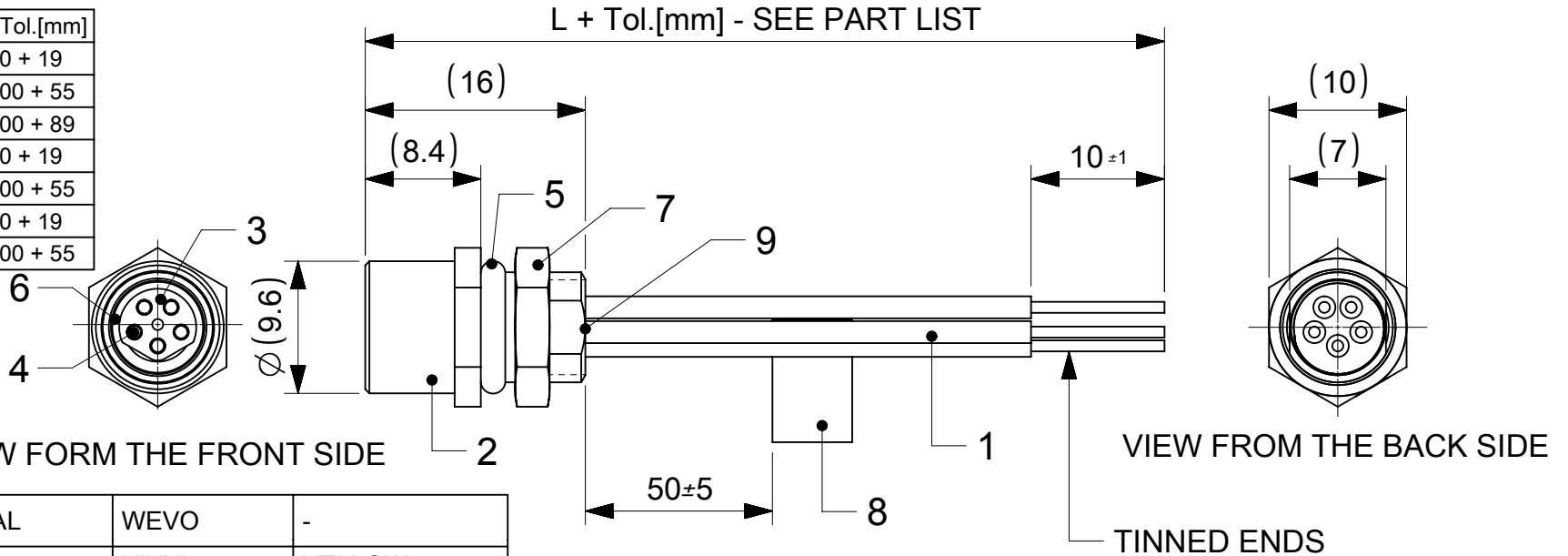


VIEWS FROM THE FRONT SIDE

PART LIST

MOLEX PN	ENGINEERING PN	L+Tol.[mm]
1200900016	4R3P00A27C300	300 + 19
1200900018	4R3P00A27M010	1000 + 55
1200900019	4R3P00A27M020	2000 + 89
1200900029	4R4P00A27C300	300 + 19
1200900031	4R4P00A27M010	1000 + 55
1200900037	4R5P00A27C300	300 + 19
1200900076	4R5P00A27M010	1000 + 55

L + Tol.[mm] - SEE PART LIST



VIEW FORM THE FRONT SIDE

VIEW FROM THE BACK SIDE

BOM

9	-	POTTING MATERIAL	WEVO	-
8	1	LABEL	VINYL	YELLOW
7	1	LOCKNUT M8X0.5	BRASS	NICKEL PLATED
6	1	GASKET	FKM	RED
5	1	O-RING	NBR	BLACK
4	3/4/5	CONTACT 10 FE	BRONZE	GOLD OVER NICKEL PLATED
3	1	INSERT M8 FE XP	ELASTOLLAN	BLACK
2	1	REC SHELL M8(FE)XM8(M)	BRASS	NICKEL PLATED
1	-	WIRES;24AWG;OD=1.43mm	PVC	-
ITEM	QTY	DESCRIPTION	MATERIAL	FINISH/COLOR

SYMBOLS		THIS DRAWING CONTAINS INFORMATION THAT IS PROPRIETARY TO MOLEX ELECTRONIC TECHNOLOGIES, LLC AND SHOULD NOT BE USED WITHOUT WRITTEN PERMISSION	
DIMENSION UNITS	SCALE	CURRENT REV DESC:	
mm	2:1	EC NO: 605345	
GENERAL TOLERANCES (UNLESS SPECIFIED)		DRWN: MKOWALCZYK01 2018/10/02	
ANGULAR TOL ± 1.0°		CHK'D: MIWASIECZKO 2018/10/03	
4 PLACES ±		APPR: MIWASIECZKO 2018/10/03	
3 PLACES ±		INITIAL REVISION:	
2 PLACES ± 0.05		DRWN: MKOWALCZYK01 2018/10/02	
1 PLACE ± 0.3		APPR: MIWASIECZKO 2018/10/03	
0 PLACES ± 0.5		DOCUMENT NUMBER	
DRAFT WHERE APPLICABLE MUST REMAIN WITHIN DIMENSIONS		1200908076	
THIRD ANGLE PROJECTION		DOC TYPE DOC PART REVISION	
DRAWING		PSD 000 A	
SERIES		SHEET NUMBER	
A4-SIZE 120090		1 OF 1	
MATERIAL NUMBER		CUSTOMER	
SEE PART LIST		GENERAL MARKET	

molex

NC XP F/FR XM M8 X 0.5

PRODUCT CUSTOMER DRAWING